

Toilet Chair TSB

Operating instructions

Version 1.3.0 EN



01 Information		05 Technical data	
General	3	Technical data	8
Appropriate Use and Indication	3	Troubleshooting	8
Warning symbols	3	Maintenance	9
02 Product description		06 Instructions for general use	
Scope and Condition of Delivery	4	Safety instructions	9
03 Assembly Instructions		Labels	9
Preliminary Remark	5	Notes on Care	9
Hints of Assembly	5	Disposal	9
Mounting instruction	6	07 Guarantee	
04 Putting into operation		Warranty	10
Height adjustment	7	Declaration of conformity	10
Toilet seat and bucket	7	Responsibility	10
		Liability	10
		Warranty slip	11

GENERAL

These instructions for use are part of the scope of delivery. They must be kept in a safe place by the user and remain with the product if re-sold.

We reserve the right to alterations due to technical developments compared to the description provided in these instructions for use. Reproduction, translations and copies in any form, including extracts, require written approval from the manufacturer.

The manufacturer owns copyright.

These instructions for use are not subject to any amendment service. You can find out the current status from us.



Reutäckerstr.12
76307 Karlsbad
Tel. +49 (0) 7248 9186 - 0
Fax. +49 (0) 7248 9186 - 86

APPROPRIATE USE AND INDICATION

The toilet chair is for persons with mobility disorders with a max. body weight of 200 kg to help them go to the toilet without or in connection with a toilet. The TSB must be used inside only.

Use for other purposes, especially as a step-up or to transport heavy loads is inappropriate and dangerous.

Use is appropriate for persons with lack of torso control, imbalance, functional deficiencies in the lower extremities, stiff hips and/or spine, persons without hands, tetraplegics, persons with arm damage with extreme disorder of grabbing function.

WARNING SYMBOLS



CAUTION

Warnings about potential dangers with the risk of injury of the user or accompanying person.



ATTENTION

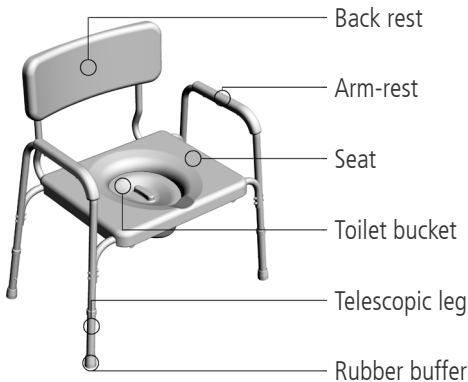
Warning about potential dangers that might damage or destroy the product.

SCOPE AND CONDITION OF DELIVERY

The scope of delivery includes:

- 1 toilet chair TSB incl. Toilet bucket and seat cushion, mounted b specialist trade
- 1 Instructions for use
- 1 packaging and transport box (can be re-used)

After unpacking, check the contents for completeness and full quantity pursuant to delivery documents.



ATTENTION

Check the packaging before unpacking. If the packaging is damaged, the contents may also be damaged. If damage to the contents can be identified, notify the carrier immediately.

Do not burn the foil! Toxic gases may develop when burning.



CAUTION

Sign plates must be clearly legible. Illegible or missing signs must be replaced immediately. The type plate is very important for the identification of the product. The type plate must not be removed.

PRELIMINARY REMARK

Thank you for choosing this technically perfect, reliable product designed in line with state of the art technology.

These instructions for use are intended for all users, especially care staff, as a basis for safe and hazard-free use of the shower stool.

These instructions describe the preparation, operation, use, maintenance and care required for the product.

To gain maximum use of the TSB and to maintain handling safety, please read the instructions for use, observe the respective instructions for use and ensure that the instructions are always accessible for the user.

HINTS OF ASSEMBLY

For assembly there is a referring screw-kit enclosed to the product which consists of following screws:

- 8× M5 × 50 mm
- 8× M6 × 40 mm
- 8× Selflocking nut M6
- 4× M6 × 35 mm
- 28× Halfround-washer
- 4× Halfround-spacer



ATTENTION

Please read the instructions for use before assembling and using the TSB.



ATTENTION

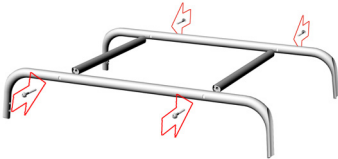
Please assemble the product step-by-step as follows:
Make sure all screw-connections are tightly fitted and use the original screws, which are enclosed to the product, only.

MOUNTING INSTRUCTION

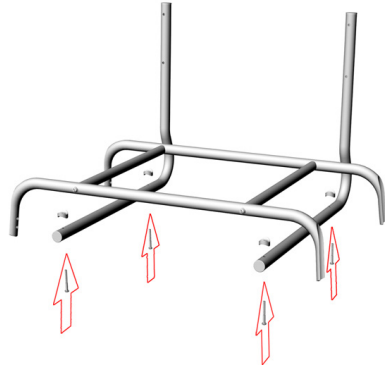
1. Assembly seatframe

(4× M5 × 50mm, 4× Halfround-washer)

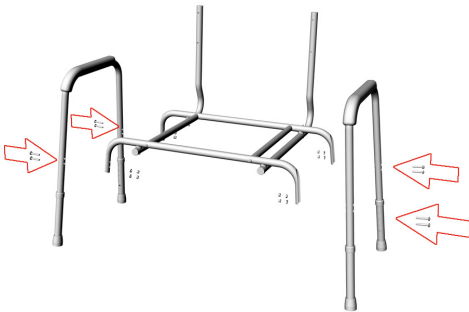
The seatframe-parts are especially marked with a red arrow at the bottom side. For correct assembly please make sure that the red arrows show outward.

**2. Assembly backframe**

(4× M5 × 50mm, 4× Halfround-washer, 4× Halfround-spacer)

**3. Assembly sideframe**

(8× M6 × 40mm, 8× Selflocking nut M6, 8× Halfround-washer)

**4. Assembly backrest:**

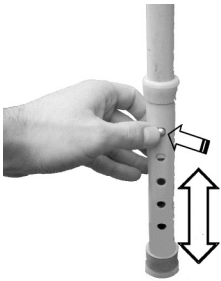
(4× M6 × 35mm, 4× Halfround-washer)



HEIGHT ADJUSTMENT

To adjust the seating height to the patient or toilet bowl, proceed as follows with all four chair legs:

- Press the spring button into the telescopic tube with your finger.
- Push the tube to the required position
- Make sure that the spring button locks back into place after adjustment!



ATTENTION

All four legs must be set to the same height! The seating height is correct if sitting is possible with thighs approximately horizontal.

TOILET SEAT AND BUCKET

The TSB has a toilet bucket with odor-tight closing lid. The toilet bucket can be pulled out towards the back.



The toilet seat is clamped to the tube frame and can easily be removed and replaced for cleaning purposes.



TECHNICAL DATA

HMV no. (German medical aids and appliances number)	33.40.04.0014
Total width (cm)	64-65
Total length (cm)	86-87
Total height (cm)	90-100
Seat (W × L) (cm)	56 × 45
Seat height (cm)	49 – 59 (in 5 stages)
Empty weight (kg)	10.1 kg (with seat cover)
Max. user weight (kg)	200 kg
Art. No.	220

TROUBLESHOOTING

Defect	Possible Reason	Adjustment
Chair leg does not lock	→ Bended tubing → Snap-fastener worn-out	Retailer, reworking
Seat, backrest or armrest worn-out		Retailer, replacement
Broken bucket		Retailer, replacement
Loose screw-connections		Retailer, reworking



ATTENTION

In case reworking or replacement is necessary please return the product to the retailer, except those defects that can be removed by cleaning.

MAINTENANCE

Defect	Daily	Monthly	Adjustment
Cleaning	×		User, assistant
Checking seat, backrest or armrest		×	Retailer, replacement
Screw connections firmly tightened		×	Retailer, replacement

SAFETY INSTRUCTIONS

- ▼ Make sure the toilet chair is secure
- ▼ All telescopic legs must be set to the same length
- ▼ Make sure all connections and components are tightly fitted.
- ▼ Do not use steam jets, sharp or caustic cleaning agents.

LABELS



ATTENTION

Stickers must remain legible and not be removed. Immediately replace illegible or missing stickers.

NOTES ON CARE

You can clean your TSB with conventional mild bath and WC cleaning agents. You can also disinfect by using spray disinfectants (e.g. Sagrotan). Do not use steam jet units or scouring or caustic cleaning agents.

DISPOSAL

When your TSB has reached its service life, the components are to be disposed of by the specialist trade. Observe local regulations concerning disposal.

WARRANTY

Warranty services refer to all product defects which are verifiably attributable to material or manufacturing flaws. The warranty period is 24 months as of receipt of notification of readiness for shipping, but following delivery at the latest. Damage which has occurred due to natural wear, intent, and negligent or improper operation or usage is excluded from the warranty obligation. This also applies to the use of unsuitable care products, lubricating oils or greases. The completed warranty slip must also be submitted in the event of complaints.

DECLARATION OF CONFORMITY

With sole responsibility, Dietz GmbH declares that the Toilet Chair TSB is in conformity with EU Directive 93/42 pertaining to medical products.

RESPONSIBILITY

Dietz GmbH can only take full responsibility for the safety, reliability and usability of the Toilet Chair TSB if all modifications, adding of optional parts or repairs are carried out by authorised service personnel.

LIABILITY

Dietz GmbH only bears liability if the products are used under the specified conditions and for the specified purposes. We recommend that the products be handled appropriately and cared for according to the instructions. Dietz GmbH accepts no liability for damage caused by components and replacement parts which have not been approved by Dietz GmbH. Repairs must only be carried out by authorised specialist retailers or by the manufacturer himself.

Warranty slip**Produkt**

Model designation*

Serial number* (see the nameplate)

Retailer

Date and stamp



Product group Bath & WC

Product: Toilet Chair TSB

User's manual Version 1.3.0 EN

State 05/2016 (JL/RP)

DIETZ GmbH

Reutäckerstraße 12

76307 Karlsbad

Tel.: +49 7248.9186-0

Fax: +49 7248.9186-86

info@dietz-reha.de

www.dietz-reha.de