

MANUAL WHEELCHAIR  
ROLLSTUHL  
FAUTEUIL ROULANT MANUEL  
HANDBEWOGEN ROLSTOEL  
CARROZZINA MANUALE

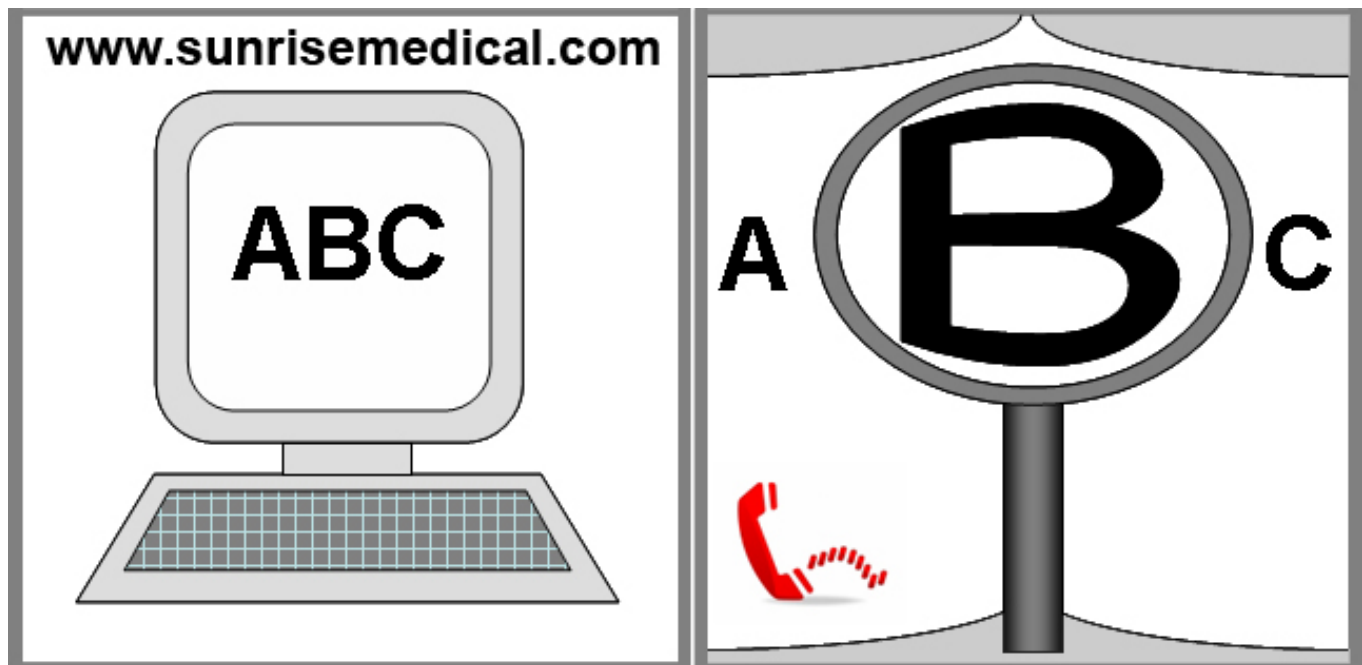


RubiX<sup>2</sup> /RubiX<sup>2</sup> Komfort  
RubiX<sup>2</sup> XL /RubiX<sup>2</sup> XL  
Komfort / BasiX<sup>2</sup> Plus

DIRECTIONS FOR USE  
GEBRAUCHSANWEISUNG  
NOTICE D'UTILISATION  
GEBRUIKERSHANDLEIDING  
MANUALE D'USO

 **Breezy**<sup>®</sup>

000690916



### Wheelchair Components

EN 

We at SUNRISE MEDICAL have been awarded the ISO-9001 certificate, which affirms the quality of our products at every stage, from R & D to production. This products meet the requirements in accordance with EC guidelines. Options or accessories shown are available at extra cost.

### Rollstuhlkomponenten

DE 

SUNRISE MEDICAL ist nach ISO 9001 zertifiziert und garantiert damit die Qualität unserer Produkte bei allen Entwicklungs- und Produktionsstufen dieses Rollstuhls. Dieses Produkt erfüllt die Anforderungen gemäß der EU-Richtlinien. Hier abgebildete Optionen oder Zubehörteile sind gegen Aufpreis erhältlich.

### Description du fauteuil

FR 

SUNRISE MEDICAL est certifié ISO -9001, une norme qui garantit la qualité des produits à toutes les étapes, de la conception à la production, en passant par la recherche et le développement.  
Ce produit est conforme aux directives de la Communauté européenne. Les options ou accessoires illustrés sont disponibles moyennant un coût supplémentaire.

### Rolstoelonderdelen

NL 

SUNRISE MEDICAL heeft het ISO 9001 certificaat toegekend gekregen, een bewijs van de kwaliteit van onze processen in elk stadium, vanaf het onderzoek en de ontwikkeling tot de productie.  
Deze producten voldoen aan de vereisten in overeenstemming met Europese richtlijnen. Getoonde opties en accessoires zijn tegen betaling verkrijgbaar.

### Componenti della carrozzina

IT 

SUNRISE MEDICAL è certificata ISO 9001 a garanzia della qualità dei nostri prodotti in ogni fase del processo, dalla ricerca e sviluppo sino alla produzione. Questo prodotto è conforme ai requisiti delle linee guida CE.  
Gli optional e gli accessori sono disponibili pagando un sovrapprezzo.



7



**Wheelchair:**

1. Push handles
2. Backrest upholstery
3. Sideguard
4. Seat sling
5. Footrest
6. Castors
7. Footplates
8. Castor Fork
9. Folding Frame
10. Wheel locks
11. Rear Wheel
12. Arm Pad



22



**Rollstuhl:**

1. Schiebegriffe
2. Rückenpolster
3. Seitenteil
4. Sitzgurt
5. Fußstütze
6. Lenkrollen
7. Fußplatte
8. Lenkradgabel
9. Kreuzstrebe
10. Bremse
11. Hinterrad
12. Armauflage



37



**Fauteuil Roulant :**

1. Poignes De Poussée
2. Toile De Dossier
3. Protège-Vêtement
4. Toile D' Assise
5. Repose-Pied
6. Roues Avant
7. Palettes
8. Fourche
9. Cadre Pliant
10. Freins
11. Roue Arrière
12. Manchette



51



**Rolstoel:**

1. Duwhandvatten
2. Spanbanden Rug
3. Zijkanten
4. Zitbekleding
5. Voetsteun
6. Voorwielen
7. Voetplaten
8. Voorvork
9. Vouwframe
10. Remmen
11. Achterwiel
12. Armkussen

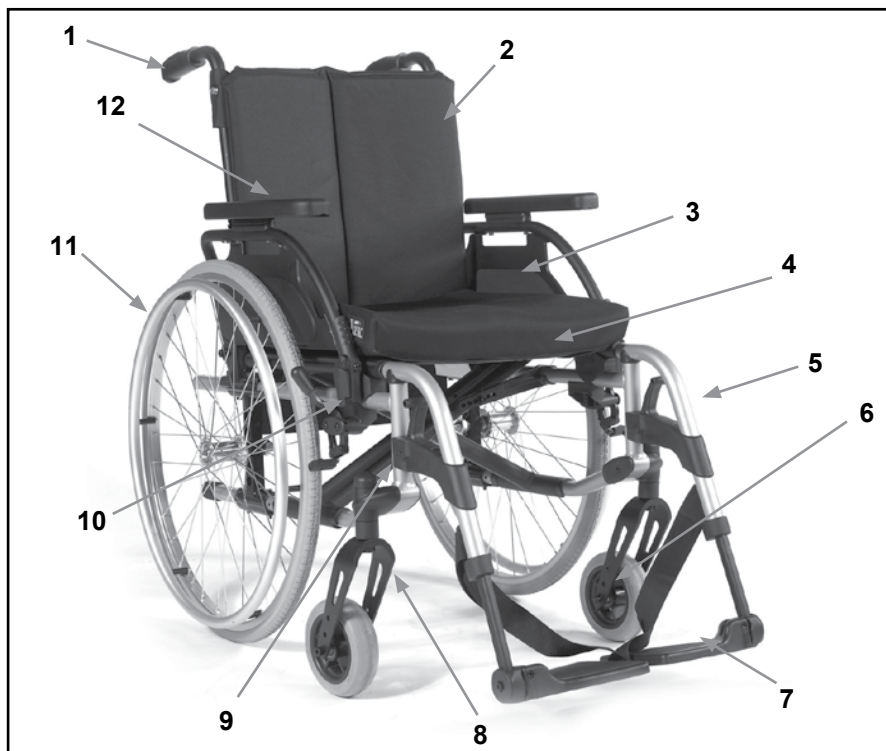


66



**Carrozzina:**

1. Maniglie Di Spinta
2. Telo Schienale
3. Spondina
4. Telo Seduta
5. Angolo Pedana
6. Ruote Anteriori
7. Appoggiapiedi
8. Forcella Della Ruota Anteriore
9. Telaio Pieghevole
10. Freni
11. Ruota Posteriore
12. Imbottitura Bracciolo

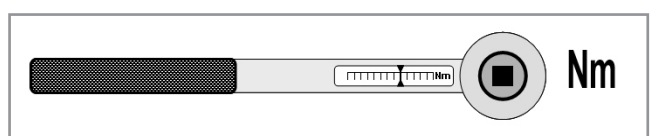
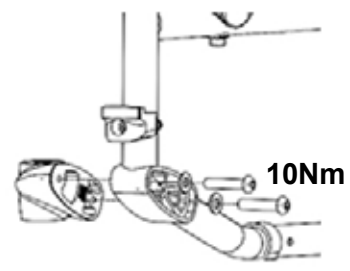
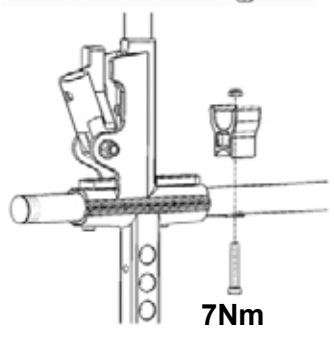
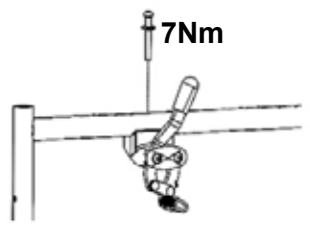
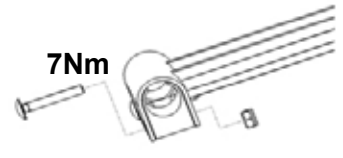
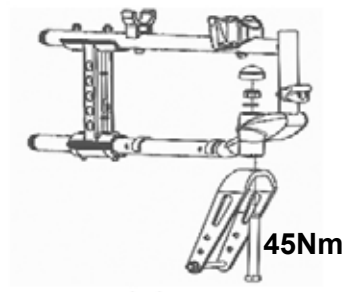
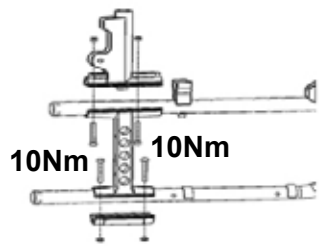
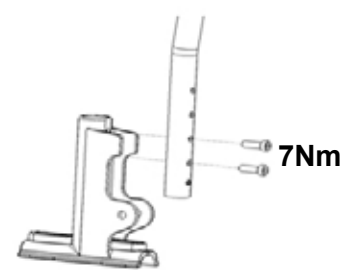
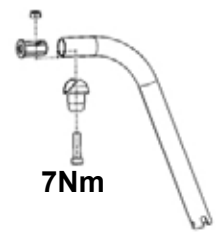
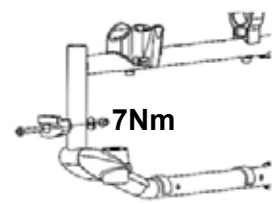
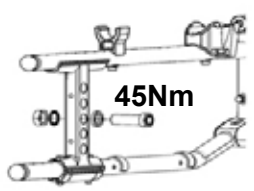




	1400 ↕ 770		800 ↕ 570		950 ↕ 850		500 ↕ 350
	530 ↕ 375		510 ↕ 410		240 ↕ 220		530 ↕ 490
	460 ↕ 410		600 ↕ 380		1400 ↕ 770		300 ↕ 240
	850 ↕ 800		340 ↕ 280		+500 ↕ -500		MAX mm ↕ MIN mm
	10° ↕ 10°		10° ↕ 10°		10° ↕ 10°		∨ MAX ↕ ∨ MIN
	0° ↕ 0°		80° ↕ 74°		118° ↕ 118°		∨ MAX ↕ ∨ MIN
	8,4 ↕ 8,4		17,3 ↕ 14,9		170 ↕ 125		2.0 ↕ ---



mm	"	B	A	B	A	C	mm	"	
375	6"	3B					375	24"	
390	6"	2B					400	24"	5
400	6"	1B	3A				425	24"	4
410	6"		2A				450	24"	3
425	6"		1A	3B			475	24"	2
440	6"			2B			500	24"	1
450	6"			1B	3A		525	24"	
465	6"				2A				
475	6"				1A				
410	7"	1B	3A	5B			375	22"	5
425	7"		2A	4B			400	22"	4
440	7"		1A	3B	5A		425	22"	3
450	7"			2B	4A		450	22"	2
465	7"			1B	3A		475	22"	1
480	7"				2A		500	22"	
490	7"				1A		525	22"	
425	8"	1B	3A	5B					
440	8"		2A	4B					
450	8"		1A	3B	5A				
465	8"			2B	4A				
480	8"			1B	3A	5C			
490	8"				2A	4C			
500	8"				1A	3C			
520	8"					2C			
530	8"					1C			
							450	12"	



## Foreword

Dear Customer,

We are very happy that you have decided in favour of a high-quality SUNRISE MEDICAL product.

This user's manual will provide numerous tips and ideas so that your new wheelchair can become a trustworthy and reliable partner in your life.

We want you to be satisfied with our products and service. Sunrise Medical has been consistently working at continuously developing its products, for this reason, changes can occur in our palette of products with regard to form, technology and equipment. Consequently, no claims can be construed from the data or pictures contained in this user's manual.

The management system of SUNRISE MEDICAL is certified to ISO 9001, ISO 13485 and ISO 14001.



As the manufacturer, SUNRISE MEDICAL, declares that the wheelchairs conform to the 93/42/EEC, amended by 2007/47/EC guideline.

In addition, they fulfil the performance requirements for the "Crash Test" to ISO 7176-19

Please contact your local, authorised SUNRISE MEDICAL dealer if you have any questions regarding the use, maintenance or safety of your wheelchair.

In case there is no authorised dealer in your area or you have any questions, contact Sunrise Medical either in writing or by telephone (contact addresses can be found on the back page).

Sunrise Medical  
Thorns Road  
Brierley Hill  
West Midlands  
DY5 2LD  
England  
Phone: 0845 605 66 88  
Fax: 0845 605 66 89  
www.SunriseMedical.co.uk

Please keep a note of your local service agent's address and telephone number in the space below.

In the event of a breakdown, contact them and try to give all relevant details so they can help you quickly.

## Symbol legend



**IMPORTANT:**  
DO NOT USE YOUR WHEELCHAIR UNTIL THIS MANUAL HAS BEEN READ AND UNDERSTOOD.



### **DANGER!**

Warning messages regarding possible risks of serious accident or death.



### **WARNING!**

Warning messages regarding possible risks of injury.



### **CAUTION!**

Warning messages regarding possible technical damage.

### **NOTE:**

Information for operating the product.

## Table of contents

Foreword	7
Symbol legend	7
Table of contents	7
Use	7
Area of application	7
General safety notes and driving restrictions	8
Warranty	10
Transportability	11
Handling	13
Options – Step Tubes	13
Options - Brakes	13
Options - Footplates	14
Options - Footplates	14
Options - Castors	15
Options - Castor Adapter	15
Options - Backrest	15
Options – sideguard	16
Options – Hemiplegic armrest	17
Options – Anti-Tip Tubes	17
Options – Lap belt	17
Options – Seat depth	18
Options – Push handles	19
Options – Crutch holder	19
Options - Therapy table	19
Options - Stabilising Bar	19
Options – Headrests	19
Options – Transit wheels	19
Options – One-hand operation	19
Name Plate	20
Tyres and mounting	20
Maintenance and care	20
Trouble shooting	21
Disposal / recycling of materials	21
Technical Data	21
Torque	21
Seat Height Adjustment	21

## Use

Light-weight wheelchairs are exclusively for a user who is unable to walk or has limited mobility, for their own personal use in- and outdoor on dry, firm and level surface terrains (self propelling or attendant push).

The maximum weight limit (includes both the user and any weight of accessories fitted to the wheelchair) is marked on the serial number label, which is affixed to the crossbar or stabiliser bar below the seat.

Warranty can only be taken on if the product is used under the specified conditions and for the intended purposes.

The intended lifetime of the wheelchair is 5 years. DO NOT use or fit any 3rd party components to the wheelchair unless they are officially approved by Sunrise Medical.

## Area of application

The variety of fitting variants as well as the modular design mean that it can be used by those who cannot walk or have limited mobility because of:

- Paralysis
- Loss of extremity (leg amputation)
- Extremity defect deformity
- Joint contractures/joint injuries
- Illnesses such as heart and circulation deficiencies, disturbance of equilibrium or cachexia as well as for elderly people who still have strength in the upper body.

When considering provision, please also note the body size, weight, physical and psychological constitution, the age of the person, living conditions and environment.

## General safety notes and driving restrictions

The engineering and construction of this wheelchair has been designed to provide maximum safety. International safety standards currently in force have either been fulfilled or exceeded in parts. Nevertheless, users may put themselves at risk by improperly using their wheelchairs. For your own safety, the following rules must be strictly observed.

Unprofessional or erroneous changes or adjustments increase the risk of accident. As a wheelchair user, you are also part of the daily traffic on streets and pavements, just like anyone else. We would like to remind you that you are therefore also subject to any and all traffic laws.

Be careful during your first ride in this wheelchair. Get to know your wheelchair.

Before each use, the following should be checked:

- Fixed axles or Quick-release axles on the rear wheels.
- Velcro on seats and backrests
- Tyres, tyre pressure and wheel locks.

Before changing any of the adjustments of this wheelchair, it is important to read the corresponding section of the user's manual.

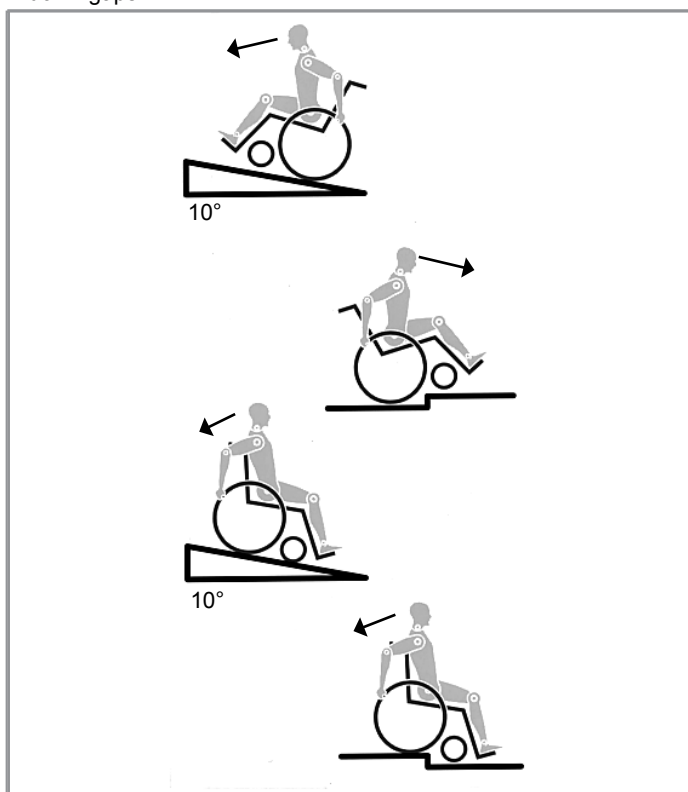
It is possible that potholes or uneven ground could cause this wheelchair to tip over, especially when riding uphill or downhill.

When riding forwards over a step or up an incline, the body should be leaning forward.



NEVER exceed the maximum load of 125 kg, (XL=170 kg), for user plus any items carried on the wheelchair. If you exceed the maximum load, this can lead to damage to the chair, or you may fall or tip over, lose control and may lead to serious injury of the user and other people.

- When it is dark, please wear light clothing or clothing with reflectors, so that you can be seen more easily. Make sure that the reflectors on the side and back of the wheelchair are clearly visible.
- We would also recommend that you fit an active light.
- To avoid falls and dangerous situations, you should first practice using your new wheelchair on level ground with good visibility.
- When getting on or off the wheelchair, do not use the footboards.
- These should be flipped up beforehand and swung to the outside as far as possible. Always position yourself as close as possible to the place where you wish to transfer to.
- Only use your wheelchair with care. For example, avoid travelling against an obstacle without braking (step, kerb edge) or dropping down gaps.



- The wheel locks are not intended to stop your wheelchair in motion. They are only there to ensure that your wheelchair does not begin rolling unintentionally. When you stop on uneven ground, you should always use the wheel locks to prevent unintended movement. Always apply both wheel locks; otherwise, your wheelchair could tip over.
- Explore the effects of changing the centre of gravity on the behaviour of the wheelchair in use, for example on inclines, slopes, all gradients or when overcoming obstacles. Do this with the secure aid of a helper.
- With extreme settings (e.g. rear wheels in the most forward position) and less than perfect posture, the wheelchair may tip over even on a level surface.
- Lean your upper body further forward when going up slopes and steps.
- Lean your upper body further back when going down slopes and steps. Never try to climb and descend a slope diagonally.
- Avoid using an escalator which may lead to serious injury in the event of a fall.
- Do not use the wheelchair on slopes more than 10°. The Dynamic safe slope is dependant on the chair configuration, the users abilities and the style of riding. As the users abilities and style of riding cannot be predetermined then the max safe slope cannot be determined. Therefore this must be determined by the user with the assistance of an attendant to prevent tipping. It is strongly recommended that inexperienced users have Anti-tips fitted.
- It is possible that potholes or uneven ground could cause this wheelchair to tip over, especially when riding uphill or downhill.
- Do not use your wheelchair on muddy or icy ground.
- Do not use your wheelchair where pedestrians are not allowed.
- To avoid hand injuries do not grab in between the spokes or between the rear wheel and wheel lock when driving the wheelchair.
- In particular when using lightweight metal handrims, fingers will easily become hot when braking from a high speed or on long inclines.
- Only attempt stairs with the help of an attendant. There is equipment available to help you, e.g. climbing ramps or lifts, please use them. If there is no such equipment available, then the wheelchair must be tipped and pushed, never carried, over the steps (2 helpers). We recommend that users over 100 kg in weight are not transferred in this way. In general, any anti-tip tubes fitted must be set beforehand, so that they cannot touch the steps, as otherwise this could lead to a serious tumble. Afterwards the anti-tip tubes must be set back to their correct position.
- Make sure that the attendant only holds the wheelchair using securely mounted parts. Do not use removable parts (e.g. not on the footrests or the side guards).
- When using the lifting ramp make sure that the anti-tip tubes fitted are positioned outside the danger area.
- Secure your wheelchair on uneven ground or when transferring, e.g. into a car, by using the brakes.
- When using the lifting ramp make sure that the anti-tip tubes fitted are positioned outside the danger area.
- Secure your wheelchair on uneven ground or when transferring, e.g. into a car, by using the brakes.
- If and whenever possible, during a journey in a specially fitted vehicle for disabled people, vehicle occupants should use the seats in the vehicle and the appropriate restraint system. This is the only way to ensure that occupants will have the maximum protection if there is an accident.



## DANGER!

- Depending on the diameter and setting of the castors, as well as the centre of gravity setting of the wheelchair, the castors may begin to wobble at high speeds. This can lead to castor seizure and the wheelchair may tip over. Therefore, please make sure that the castors are adjusted correctly (see the Chapter "Castors").
- In particular, do not travel on an incline without brakes, travel at a reduced speed. We recommend that novice users use anti-tip tubes.
- Anti-tip tubes should prevent the chair tipping over backwards unintentionally. Under no circumstances should they take the place of transit wheels, and be used to transport a person in a wheelchair with the rear wheels removed.
- When reaching for objects (which are in front of, to the side or behind the wheelchair) make sure that you do not lean too far out of the wheelchair, as if you change the centre of gravity there is a risk of tipping or rolling over. The hanging of additional load (back pack or similar items) onto your chair back posts can affect the rearward stability of your chair, especially when used in combination with recliner backrests. This can cause the chair to tip backwards causing injury.
- For thigh amputees you must use anti-tip tubes.
- Before setting off, check that your tyre pressure is correct. For rear wheels it should be at least 3.5 bar ( 350 kPa). The max. pressure is indicated on the tyre. The knee-lever brakes will only work if there is sufficient tyre pressure and if the correct setting has been made (see the Chapter on "Brakes").
- If the seat and back sling are damaged, you must replace them immediately.
- Be careful with fire, in particular with burning cigarettes. Seat and back slings can be set alight.
- If the wheelchair is subject to direct sunlight / cold temperature for a long period of time, then parts of the wheelchair (e.g. frame, legrests, brakes and side guard) may become hot (>41°C) / very cold (<0°).
- Always make sure that, if fitted, the quick-release axles on the rear wheels are set properly and lock in (locking ball bearings are showing completely through the axle sleeve). If the button on the quick-release axle is not pressed in, the rear wheel cannot be removed.

## CAUTION !

- The effect of the knee-lever brake as well as the general driving characteristics are dependant on tyre pressure. The wheelchair is significantly lighter and easier to manoeuvre when the rear wheels are pumped up correctly and both wheels have the same pressure.
- Make sure that your tyres have sufficient tread!
- Please note that you are subject to any and all traffic laws when driving in public traffic.
- Always be careful when handling or adjusting the wheelchair!
- Adjustments which require tools should always be done by authorized dealers.
- Clean the wheelchair regularly to avoid rust and salt corrosion.
- Check the rivets, nuts and bolts to make sure they are tight and that no wheelchair parts will come loose.
- With all moving parts there is a natural risk of finger traps. Please handle with care.
- The products shown and described in this manual may not be exactly the same in every detail as your own model. However, all instructions are still entirely relevant, irrespective of detail differences.
- The manufacturer reserves the right to alter without notice any weights, measurements or other technical data shown in this manual. All figures, measurements and capacities shown in this manual are approximate and do not constitute specifications.

## DANGER!

**CHOKING HAZARD** – This mobility aid uses small parts which under certain circumstances may present a choking hazard to young children.

### **Lifetime**

The expected lifetime of this product is 5 years provided that: it is used in strict accordance with the intended use all service and maintenance requirements are met.

**GUARANTEE****THIS GUARANTEE DOES NOT AFFECT YOUR LEGAL RIGHTS IN ANY WAY.**

Sunrise Medical\* provides a guarantee, as set out in the warranty conditions, for wheelchairs to its customers covering the following

**Warranty conditions**

1. Should a part or parts of the wheelchair require repair or replacement as a result of a manufacturing and/or material fault within 24 months or for frame and cross-braces within 5 years after delivery to the customer, then the affected part or parts will be repaired or replaced free of charge. (Batteries are guaranteed for a period of 12 months subject to the correct battery care plan being followed)
2. To enforce the warranty, please contact Sunrise Medical Customer Service with the exact details of the nature of the difficulty. Should you be using the wheelchair outside the area covered by the Sunrise Medical customer service agent, repairs or replacement will be carried out by another agency as designated by the manufacturer. The wheelchair must be repaired by a Sunrise Medical designated Customer Service agent, (dealer).
3. For parts, which have been repaired or exchanged within the scope of this warranty, we provide a warranty in accordance with these warranty conditions for the remaining warranty period for the wheelchair in accordance with point 1).
4. For original spare parts which have been fitted at the customer's expense, these will have a 12 months guarantee, (following the fitting), in accordance with these warranty conditions.
5. Consumable parts such as pads, tyres, inner tubes and similar parts are excluded from the warranty, except in the case that premature wear of the part is the direct result of a manufacturing fault.
6. Claims from this warranty shall not arise, if a repair or replacement of a wheelchair or a part is required for the following reasons:
  - a) The product or part has not been maintained or serviced in accordance with the manufacturer's recommendations as shown in the User Instructions and/or the Service Instructions.
  - b) Accessories have been used which are not specified as original accessories.
  - c) The wheelchair or part having been damaged by neglect, accident or improper use.
  - d) Changes/modifications have been made to the wheelchair or parts, which deviate from the manufacturer's specifications.
  - e) Repairs have been carried out, before our Customer Service has been informed of the circumstances.
7. This guarantee is subject to the law of the country in which the product was purchased from Sunrise Medical"

*\* Means the Sunrise Medical facility from which the product was purchased.*

**Additional Notes For Australia Only:**

1. *For goods provided by Sunrise Medical Pty Ltd in Australia, our goods come with a guarantee by Sunrise Medical that cannot be excluded under Australian Consumer Law.*
2. *You are entitled to a replacement or refund for a major failure and for compensation for any foreseeable loss or damage.*
3. *You are also entitled to have the goods repaired or replaced if the goods fail to be of acceptable quality and the failure does not amount to a major failure.*
4. *The benefits to you given by this warranty are in addition to your other rights and remedies under a law in relation to the goods to which the warranty relates.*

## Transportability

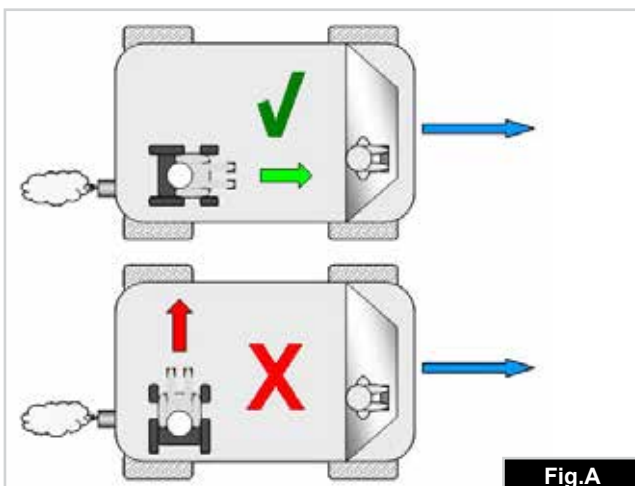
### DANGER!

There is a risk of serious injury or death if this advice is ignored!

Transportation of your wheelchair within a vehicle:

A wheelchair secured in a vehicle will not provide the equivalent level of safety and security as a vehicle seating system. It is always recommended that the user transfers to the vehicle seating. It is recognised that this is not always practical for the user to be transferred and in these circumstances, where the user must be transported whilst in the wheelchair, the following advice must be followed:

1. Confirm that the vehicle is suitably equipped to transport a passenger in a wheelchair, and ensure the method of access/ egress is suitable for your wheelchair type. The vehicle should have the floor strength to take the combined weight of the user, the wheel chair and accessories.
2. Sufficient space should be available around the wheelchair to enable clear access to attach, tighten and release the wheelchair and occupant tie down restraints and safety belts.
3. The occupied wheelchair must be located in a forward facing position and secured by the wheelchair tie down and occupant restraint straps (WTORS tie downs meeting the requirements of ISO 10542 or SAE J2249) in accordance with the WTORS manufacturer's instructions.
4. The wheelchair's use in other positions within a vehicle has not been tested e.g. transportation in a side facing position must not be carried out under any circumstances (Fig. A).
5. The wheelchair should be secured by a Tie Down Restraint system, conforming to ISO 10542 or SAE J2249 with non-adjustable front straps and adjustable rear straps, which typically use Karabiner clips/S hooks and tongue and buckle fittings. These restraints generally comprise of 4 individual straps that are attached to each corner of the wheelchair.
6. The tie-down restraints should be fitted to the main frame of the wheelchair as indicated in the diagram on the following page, and not to any attachments or accessories, e.g. not around the spokes of wheels, brakes or footrests.



7. The tie-down restraints should be attached as close as possible at an angle of 45 degrees and tightened securely in accordance with the manufacturer's instructions.

8. Alterations or substitutions must not be made to the wheelchair securement points or to structural and frame or components without consulting the manufacturer. Failure to do so will invalidate the ability of a Sunrise Medical wheelchair to be transported within a vehicle.

9. Both pelvic and upper torso restraint belts must be used to restrain the occupant to reduce the possibility of head and chest impacts with the vehicle components and serious risk of injury to the user and other vehicle occupants. (Fig B) The upper torso restraint belt should be mounted to the vehicle "B" pillar - failure to do so will increase the risk of serious abdominal injuries to the user.

10. A head restraint suitable for transportation (see label on headrest) must be fitted and suitably positioned at all times during transportation.

11. Postural supports (lap straps, lap belts) should not be used or relied on for occupant restraint in a moving vehicle unless they are labelled as meeting the requirements specified in ISO 7176-19:2001 or SAE J2249.

12. The safety of the user during transportation depends upon the diligence of the person securing the tie-down restraints and they should have received appropriate instructions and/or training in their use.

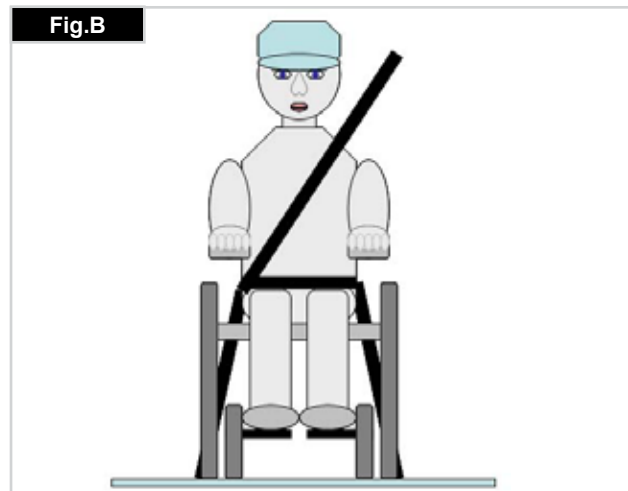
13. Wherever possible remove and stow safely away from the wheelchair all auxiliary equipment, for example: Crutches, Loose cushions and Tray Tables.

14. Articulating/elevating leg rest should not be used in the elevated position when the wheelchair and user are being transported and the wheelchair is restrained using Wheelchair Transport and Occupant Restraints.

15. Reclining backrests should be returned to an upright position.

16. The manual brakes must be firmly applied.

17. Restraints should be mounted to the vehicle "B" pillar and should not be held away from the body by wheelchair components such as armrest or wheels.



## Transportability

### OCCUPANT RESTRAINTS INSTRUCTION:

1. The pelvic restraint belt must be worn low across the front of the pelvis so that the angle of the pelvic belt is within the preferred zone of 30 to 75 degrees to the horizontal. A steeper (greater) angle within the preferred zone is desirable i.e. closer to, but never exceeding 75degrees. (Fig C)

2. The upper torso restraint belt must fit over the shoulder and across the chest as illustrated Fig d and e  
Restraint belts must be adjusted as tightly as possible consistent with user comfort.

Restraint belt webbing must not be twisted when in use.

The upper torso restraint belt must fit over the shoulder and across the shoulder as illustrated in Fig D and E.

3. The attachment points to the chair are the inner front side frame just above the castor, and the rear side frame. The straps are fitted around the side frames at the intersection of the horizontal and vertical frame tubes. (See Figs G - K)

4. The tie down symbol (Fig F) on the wheelchair frame indicates the position of the wheelchair restraint straps. The straps are then tensioned after the front straps have been fitted to secure the wheelchair.

### USER WEIGHT LESS THAN 22 kg

When the user being transported is a child, less than 22Kg mass and the vehicle involved has less than eight (8) seated passengers it is recommended that they be transferred to an UNCE Regulation 44 compliant child restraint system (CRS).

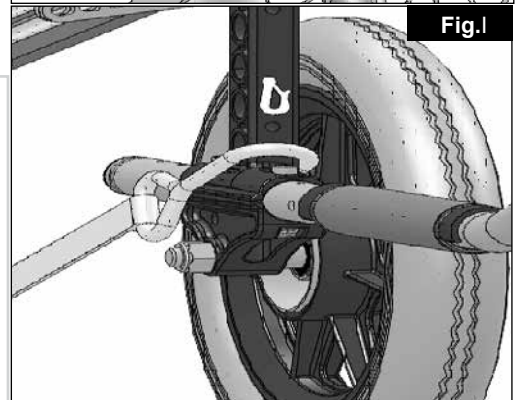
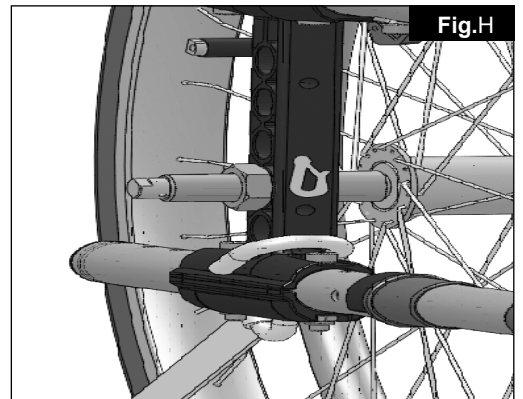
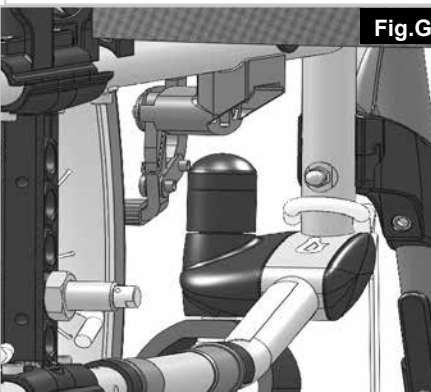
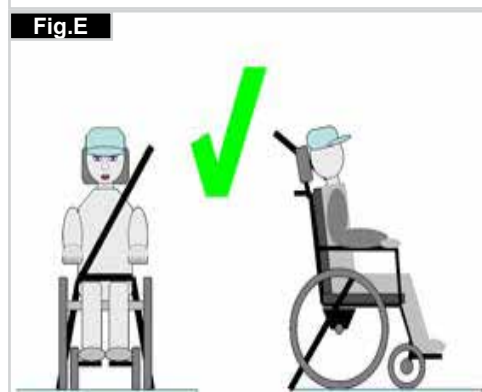
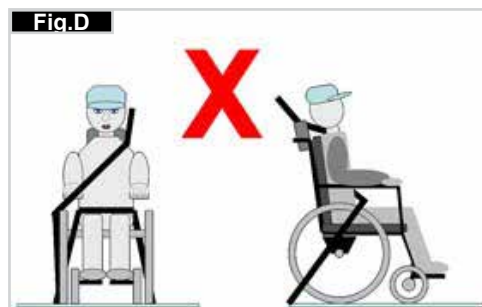
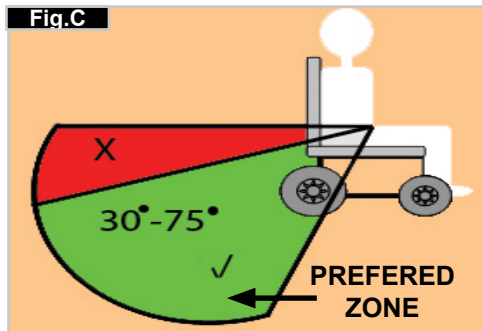
This type of restraint system provides a more effective occupant restraint system than the conventional 3 point occupant restraint system and some CRS systems also include additional postural supports to assist in maintaining the position of the child when seated.

Parents or care providers may consider the option, in some circumstances, for their child is to remain in their wheelchair whilst in transport due to the level of posture control and comfort provided by the set up in the wheelchair.

We would recommend in such circumstances that a risk assessment be carried out by your healthcare professional and relevant competent persons.

### POSITIONING OF WHEELCHAIR TIE DOWN RESTRAINTS ON WHEELCHAIR:

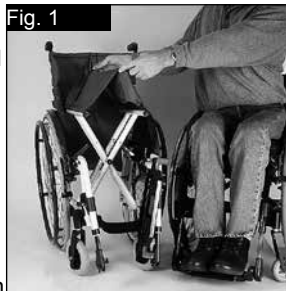
1. Location of the front and rear tie down labels (Fig. G-H-I).
2. Position of the front, (Fig.G) and rear, (Fig.H-I), wheelchair tie down restraint and the tie down label.
3. Side view of tie down straps, (Fig.J).



## Handling

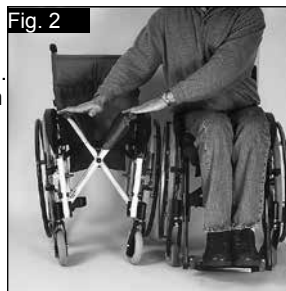
### FOLDING UP

First remove the seat cushion and the back seat shell from the wheelchair and flip up the (platform) footplate or the individual footrests. Take hold of the sling or the seat tubes in the middle, from the back and pull upwards. The wheelchair will then fold up. To fold your wheelchair so that it is as small as possible, e.g., to put into a car, you can remove the footrests (depending on the model). For this purpose, open the latch from the outside and swing the footrest to the side. Then the footrest only has to be drawn out of the receiver tube (Fig. 1).



### UNFOLDING

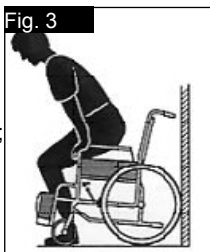
Press down on the seat tube (see figure). Your wheelchair is then unfolded. Now snap the seat tubing into position in the seat saddle. This can be facilitated by slightly tipping your wheelchair, as this means that the weight is taken off one of the rear wheels. **Be careful not to get your fingers caught in the cross-tube assembly.** Refit the seat and the back seat shell (Fig. 2).



### GETTING INTO YOUR WHEELCHAIR INDEPENDENTLY

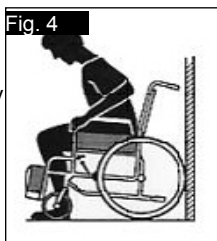
#### (FIG. 3)

- The wheelchair should be pushed up against a wall or solid piece of furniture;
- The brakes should be on;
- The footplates should be hinged up;
- The user can then lower himself into the chair;
- The footplates should then be pushed down and the feet rested on them in front of the heel loops.



### GETTING OUT OF YOUR WHEELCHAIR INDEPENDENTLY (FIG. 4)

- The brakes should be on;
- The hinged footplates should be hinged up;
- With one hand on each armrest, the person should bend slightly forward to bring the body weight to the front of the seat, and with both feet firmly on the ground, one foot well back, push up into the upright position.

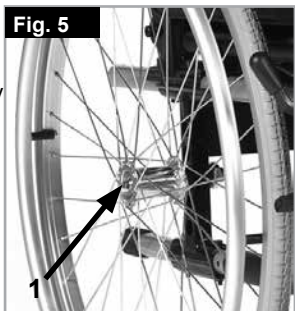


### ⚠ WARNING!

- When standing, do not stand on the footplates or the wheelchair will tip up. It is easier and safer to get into your wheelchair if you turn the footplates up and out of the way or take them off the wheelchair.
- Always engage the wheel brakes when transferring in or out of the wheelchair.

### QUICK-RELEASE AXLES ON REAR WHEEL

The rear wheels are equipped with quick-release axles. The wheels can thus be fitted or removed without using tools. To remove a wheel, simply depress the quick-release button on the axle (1) and pull the wheel off the axle (Fig. 5).



### ⚠ CAUTION!

Hold the quick-release button on the axle depressed when inserting the axle into the frame to mount the rear wheels. Release the button to lock the wheel in place. The quick-release button should snap back to its original position

## Options – Step Tubes

### STEP TUBES

Tipping tubes are used by attendants to tip a wheelchair over an obstacle. Simply step on the tube to push a wheelchair, for example, over a kerb or step (Fig. 5).



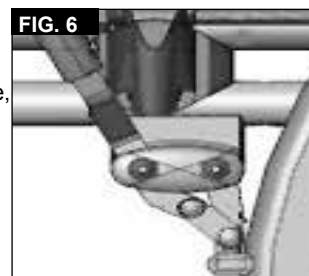
### ⚠ CAUTION!

Sunrise Medical strongly recommends the use of a step tube on transit wheeled models and also on any model where attendant use is the predominant intended use, as damage to the backposts may occur if you pull back on them to tip the wheelchair, in order to overcome obstacles.

## Options - Brakes

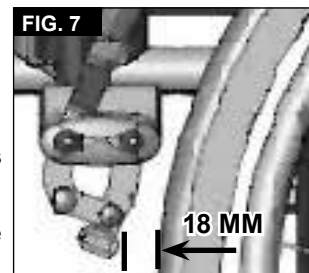
### WHEEL LOCKS

Your wheelchair is equipped with two wheel locks. They are applied directly against the tyres. To engage, press both brake levers forward against the stops. To release the locks, pull the levers back to their original positions.



Braking power will decrease with:

- Worn tyre tread
- Tyre pressure that is too low
- Wet tyres
- Improperly adjusted wheel locks



The wheel locks have not been designed to be used as brakes for a moving wheelchair. The wheel locks should therefore never be used to brake a moving wheelchair. Always use the hand-rims for braking. Make sure that the gap between the tyres and wheel locks complies with given specifications. To readjust, loosen the screw and set the appropriate gap. Then re-tighten the screw (Fig. 6-7).

### ⚠ CAUTION!

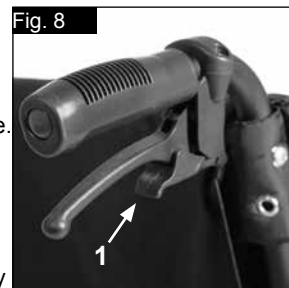
After each adjustment of the rear wheels, check the wheel lock gap and re-adjust if necessary.

Mounting the wheel lock too close towards the wheel will result in a higher effort to operate. This might cause the brake lever extension to break!

Leaning onto the brake lever extension while transferring will cause the lever to break! Splashing water from tyres might cause the wheel lock to malfunction.

### DRUM BRAKES

Drum brakes permit safe and convenient braking for an attendant. They can also be set with the aid of a locking lever (1) to prevent rolling. The lever must snap audibly into place. Drum brakes are not influenced by air pressure inside the tyres (Fig.8).



### ⚠ WARNING!

Drum brakes must only be adjusted by authorised dealers

Always operate the two brakes simultaneously to guarantee the control of the driving direction!

Drum brakes can only be used as a dynamic brake to stop the wheelchair while driving.

Always engage the wheel locks to secure the wheelchair during a short or long stop, or for transfer.

**ONE-HAND OPERATION**

Your wheelchair is equipped with two sets of wheel locks that can be operated from either the left or the right side. They are applied directly against the tyres. To engage, push the brake lever forward against the stops (Fig. 9). To release the locks, pull the lever back to its original position.



- Braking power will decrease with:
- Worn tyre tread
- Tyre pressure that is too low
- Wet tyres
- Improperly adjusted wheel locks.

The wheel locks have not been designed to be used as brakes for a moving wheelchair. The wheel locks should therefore never be used to brake a moving wheelchair. Always use the hand-rims for braking. Make sure that the gap between the tyres and wheel locks complies with given specifications. To re-adjust, loosen the screw and set the appropriate gap. Then re-tighten the screw (see the page on torque) (Fig. 10).



**⚠ CAUTION:**

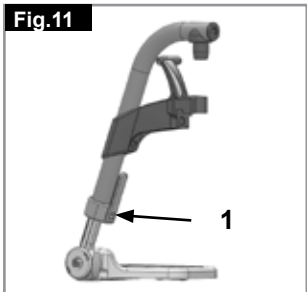
After each adjustment of the rear wheels, check the wheel lock gap and re-adjust if necessary.

Mounting the wheel lock too close towards the wheel will result in a higher effort to operate. This might cause the brake lever extension to break! Leaning onto the brake lever extension while transferring will cause the lever to break! Splashing water from tyres might cause the wheel lock to malfunction.

**Options - Footplates**

**FOOTPLATES:**

The footplates can be flipped up to make it easier to transfer to/from the chair.



**LOWER LEG LENGTH:**

For users with longer legs, the leg support can be lowered to the appropriate level by using the screws (1). Loosen the screws, push the tubes to the desired position and then re-tighten the screws (see section on torque). There must always be a minimum gap of 2.5 cm between the footplates and the ground, (Fig.11).

**ANGLE-ADJUSTABLE FOOTBOARD**

This can be adjusted to alter the angle to the ground. Release screw, pull it inwards, set the desired angle and then push on. After making the adjustment, re-tighten the screw.

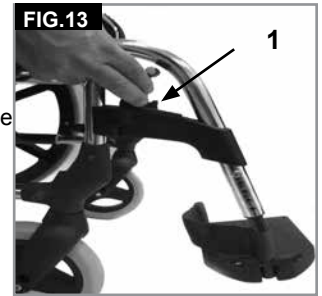


Make sure that after any adjustment work, all screws are tightened correctly (see the page 5 torque). Ensure that you maintain the minimum gap to the floor (2.5 cm) (Fig. 12).

**Options - Footplates**

**FOOTRESTS AND LATCH**

The legrests can be swung inwards under the seat sling or outwards. When fitting the legrests, the footrests must be pointing inwards or outwards. Then rotate the legrest inwards, until it locks into place. To remove, pull the lever (1), swing the footplate inwards or outwards and then lift the legrest out. Make sure that the legrest is locked into place correctly, (Fig 13).

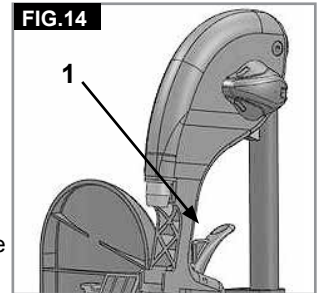


**⚠ CAUTION!**

- The legrests must not be used to lift or to carry the wheelchair.
- When getting on or off the wheelchair, do not use the footboards. These should be flipped up beforehand or the footrest should be swung to the outside as far as possible.

**OPTION ELEVATING LEGREST**

(Fig 14-16)  
To remove, pull the lever (1), swing the footplate outwards and then lift the legrest out.

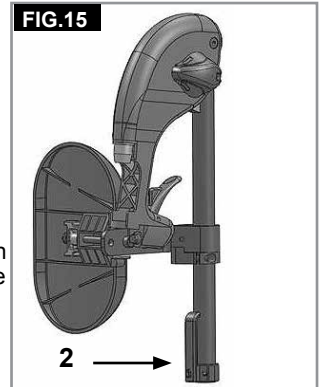


**HEIGHT ADJUSTMENT:**

The lower leg length can be adjusted infinitely by releasing the screw (2). Adjust the suitable height and tighten the screw again.

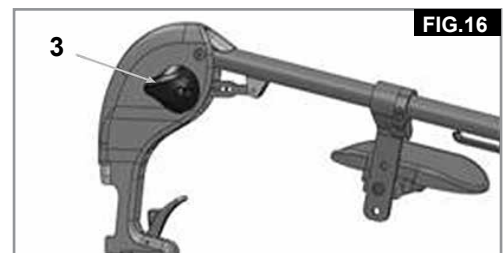
**⚠ CAUTION!**

The distance between the footplate and the ground must be at least 40 mm.



**ANGLE ADJUSTMENT:**

Press the lever (3) downward with one hand while supporting the legrest with the other hand to take the load off. When a suitable angle is achieved, let go of the lever and the legrest will lock into one of the preset positions.



## ADJUSTING THE CALF PAD

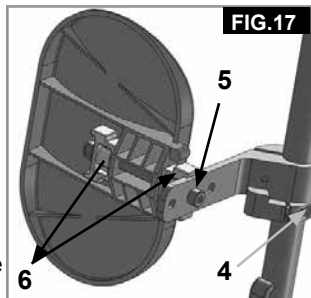
(Fig 17).

The calf pad can be adjusted as follows:

Height: Open bolt (4) and move the clamping piece to the desired position. By rotating the clamping piece also the angle can be adjusted.

Depth: Open bolt (5) and move the calf pad into the desired position.

Width: Open bolt (5) and position the spacers (6) behind the pad, to get the desired position.



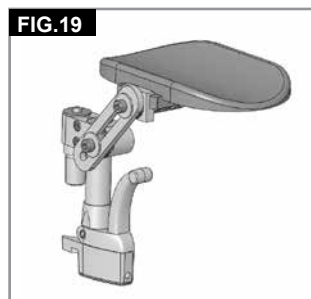
### ⚠ WARNING!

- Keep hands clear of the adjustable mechanism between the frame and the movable parts of the foot rest, while elevating or lowering the footrest.
- Always make sure that the fasteners are secure.
- The foot rests must not be used to lift or to carry the wheelchair.
- Risk of trapping fingers! When moving the foot rest up or down, do not put your fingers in the adjusting mechanism between the moving parts of the foot rest.

## AMPUTEE SUPPORT

(Fig.18).

The Amputee Support can be adjusted in every direction as required.



## Options - Castors

### CASTORS, CASTOR PLATES, FORKS

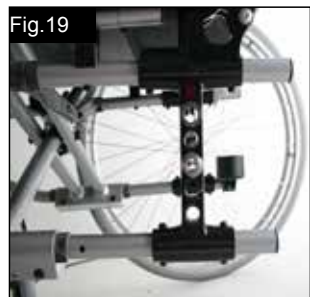
The wheelchair may veer slightly to the right or left, or the castors may wobble. This may be caused by the following:

- Forward and/or reverse wheel motion has not been set properly.
- The castor angle has not been set correctly.
- Castor and/or rear wheel air pressure is incorrect; the wheels do not turn smoothly.

The wheelchair will not move in a straight line if the castors have not been properly adjusted. Castors should always be adjusted by an authorised dealer. The wheel locks must be checked every time the rear wheel position has been altered.

## Options - Castor Adapter

The seat height is determined by the castor and rear wheel position. The seat height can be adjusted by altering the position of the rear wheels and the castors and by using spacers, (Fig.19).



### ⚠ CAUTION!

After adjusting the seat height, all screws must be re-tightened and the wheel lock must be readjusted.

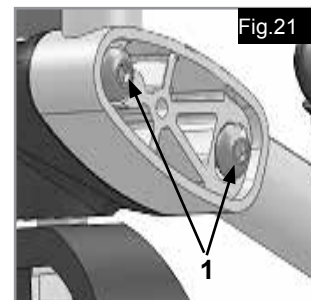
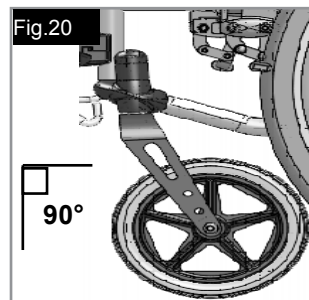
## Options – Castor adapter

### NOTE:

You can change the angle of the castor axle by altering the position of the castor/rear wheel. This should always be approx. 90°.

### ADJUSTING THE CASTOR AXLE ANGLE:

Release the screws (1), pull the castor adaptor outwards, set a 90° angle and then re-tighten the screws (Fig. 20-21).



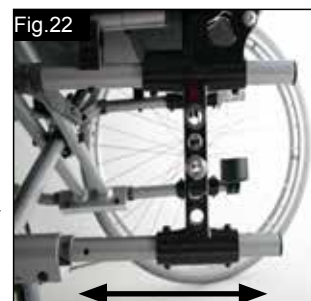
### ⚠ CAUTION!

The castor axle angle must be set the same on both sides (check by marking).

### HORIZONTAL AXLE POSITION

The axle plate can be adjusted forwards to give greater manoeuvrability or to the rear to give greater stability (Fig. 22).

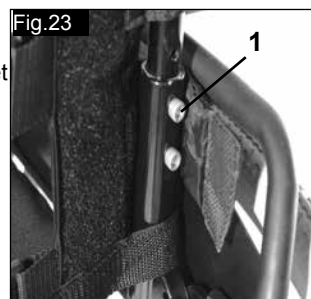
The larger the wheelbase the greater the security against your wheelchair tipping over



## Options - Backrest

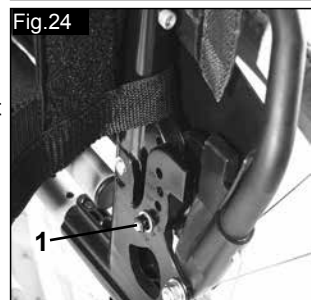
### HEIGHT-ADJUSTABLE BACKREST

The height of the backrest can be set to 2 or 3 different positions (depending on the model) (41 cm, 43.5 cm and 46 cm). Release and remove the bolts (1)+(2), and push the backrest tube to the desired position. Tighten up the bolts again (Fig. 23).



### ADJUSTABLE BACKREST ANGLE

The angle of the backrest can be set to 6 different positions (-5° forwards, 0°, 5°, 10°, 15° and 20° backwards). To adjust the angle, remove the screw (1), set the desired angle and then re-tighten the screw (Fig. 24).



### ADJUSTABLE BACKREST ANGLE (7° - 30°)

By pulling both levers together (1), you can release the backrest and then move it to the desired position.

On releasing the two levers (1) the backrest will automatically lock into place (Fig. 25).



**CAUTION!**

- It is recommended that the angle-adjustable backrest is used in conjunction with the wheelbase extension.
- It is recommended that the angle-adjustable backrest is used in conjunction with anti-tip tubes (maximum ground clearance 3 - 5 cm).
- We recommend that the angle-adjustable backrest is used in conjunction with a stabilising bar.

**HALF FOLDING BACK**

Unfolding the backrest:  
To put the backrest in the upright position, push the handles upwards and forwards until they lock in, (Fig.26).



**WARNING!**

**Keep fingers and other items away from the folding mechanism when the backrest is being folded to prevent injury or damage to property.**

**Folding the backrest:**

The backrest can be folded to make storage of the wheelchair easier, (Fig.27).



**CAUTION!**

**Do not operate under load as this may cause lever to break.**

To fold the backrest, stand behind the wheelchair, press the two small levers (Fig. 27 - 28) positioned on each side of the backrest (just above the armrests). Fold the backrest down.

**ADJUSTABLE BACK-SLING**

The adjustable back-sling can be adjusted for tension by using several straps (Fig. 28).



**CAUTION!**

Do not pull the tension belt too tight, otherwise this could interfere with the folding mechanism of the chair.

**COMFORT BACK**

The comfort back permits comfortable long seating with lateral support.

The complete can be removed by lifting up and pushing forward. The cushion is fixed by velcro and can be removed as well. The cover is washable.(Fig. 29)



**TRUNK SUPPORT**

The trunk support can be adjusted in angle, depth and height. It can be swung away by lifting it upwards.

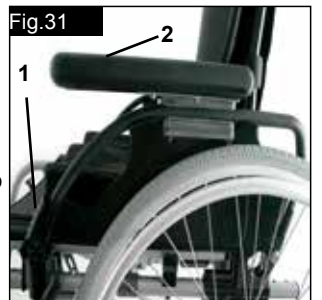
- Depth adjustment: Remove the 2 screws and fit the trunk support in the new position. Finally tighten screws again.
- Angle adjustment: Open screw, set the trunk support into the wished Angle and tighten the screw again. (Fig.30)
- Height adjustment: Remove the fixing screws of the bracket and move the bracket into the wished position. Finally tighten the screws again.



**Options – sideguard**

**STANDARD SIDE GUARD, FLIP-UP, REMOVABLE WITH SHORT OR LONG ARMRESTS**

The sideguard with rounded off front edges will allow you to get up close to a table. To flip the armrest up, push the lever (1), so that the sideguard is released (Fig.31 + 32).



The height of the armrest (2) can be adjusted by fitting the spacer bracket in various positions. To do this release the screws, move the spacer bracket and re-tighten the screws. The length of the armrest can be adjusted by releasing the screws (3), then move the armrest to the desired position and re-tighten the screws (Fig.33).



**CAUTION:**

- Neither the sideguards nor the armrests are to be used for lifting or carrying the wheelchair.
- Take care of your fingers when adjusting the arm pad height.

**SIDE GUARD, FLIP-UP, REMOVABLE WITH SHORT OR LONG ARMRESTS, HEIGHT-ADJUSTABLE**

The armrest can be height-adjusted as follows.

Move the lever downwards and move the armrest to the desired height. Release the lever and press the armrest downwards until you hear it click into place. Always check that the side guards are correctly in place.

To flip the armrest up, push the lever (1) so that the sideguard is released.



You can adjust the length of the armrest by releasing the screws (2) push the armrest to the desired position and then re-tighten the screws (Fig.33).

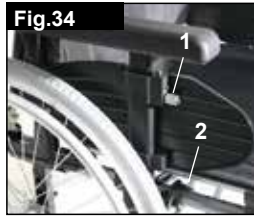
**CAUTION:**

- Neither the sideguards nor the armrests are to be used for lifting or carrying the wheelchair.
- When using a 24" rear wheel the armpad must be moved one level up.



## HEIGHT-ADJUSTABLE ARMRESTS

To adjust the height, pull the lever (1) and push the armrest to the desired height. Afterwards make sure that the lever (1) locks back into position. Removing the armrest is carried out in the same way.



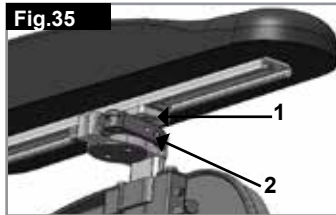
To remove the sideguard completely, push the lever (2). When fitting the sideguard, the lever (2) must also be pulled.

**Always make sure that the sideguard locks into position correctly in the receiver.** (Fig. 34)

## Options – Hemiplegic armrest

### HEMIPLEGIC ARMREST

The hemiplegic armrest can be adjusted both in length and angle. You can adjust the length by pushing the armrest after having loosened the 2 rotary screws (1). To adjust the angle, open the release lever (2) and rotate the armrest to the desired position, then tighten it again (Fig. 35).



## Options – Anti-Tip Tubes

### ANTI-TIP TUBES

Anti-tip tubes provide additional safety for inexperienced users when they are still learning how to operate their wheelchair. They prevent a wheelchair from tipping over backwards. The anti tip tube should be inserted into the frame tube until the first of the two spring buttons enters the first hole in the frame tube, (Fig.36).



**WARNING!**

Incorrect setup of the anti-tips will increase the risk of a rearwards tip. You must swing the anti-tips upwards when going up or down large obstacles, (such as a kerb), to prevent them from touching the ground, then rotate them back down to the normal position.

**NOTE:** Do not insert both buttons of the anti tip tube into the frame tube as this could damage the anti Tipp and cause a loss of effectiveness. By pushing on the Second exposed release button, the safety wheels can be set upwards or removed. There must always be a gap of between 3 cm and 5 cm between the tube and the ground. You must swing the safety wheels upwards when going up and down large obstacles (such as a kerb) to prevent them from touching the ground. Then rotate the safety wheels back down to the normal position (Fig. 36).

**WARNING!**

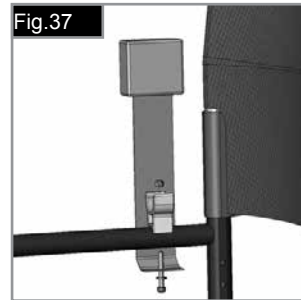
Incorrect set up of the anti tips will increase the risk of a rearwards tip.

## Options – Lap belt




**WARNING!**

Before using your wheelchair ensure the seat belt is worn and correctly adjusted before use.

The lap belt is fitted to the wheelchair as shown in the illustrations. The seat belt comprises 2 halves. They are fitted using the existing seat stay retaining bolt fitted through the eyelet on the belt. The belt is routed under the rear of the side panel. (Fig. 37) Adjust the belt position so buckles are in the centre of the seat. (Fig. 38)



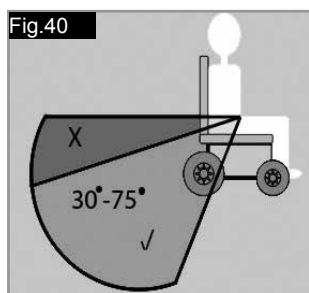
Adjust lap belt to suit the user's needs as follows:



To increase the belt length	To reduce the belt length	✓
 Type B	 Type B	 Type B
Feed free belt through slide adjusters and male buckle to provide more belt length.	Feed free belt back through male buckle and slide adjusters.	Ensure belt is not looped at male buckle.

## Options – Lap belt

When fastened check space between the lap belt and user, when correctly adjusted it should not be possible to insert more than the flat of the hand between the lap belt and the user. (Fig. 39)

Generally the Lap Belt should be fixed so that the straps sit at an angle of approximately 45°, and when correctly adjusted should not allow user to slip down in the seat. (Fig. 40)



	
<p><b>To fasten buckle:</b> Firmly push male buckle into female buckle.</p>	<p><b>To release belt:</b> Press exposed sides of male buckle and push towards centre / push the press button of the female buckle whilst gently pulling apart.</p>

### ADVICE TO CLIENT



**DANGER!**

- Do not rely on the lap belt only when the wheelchair and occupant are transported in a vehicle, use the separate occupant lap and diagonal restraints provided in the vehicle.
- Before use we recommend that the lap belt be checked to ensure that it is adjusted correctly, free from any obstruction or adverse wear and that the buckle engages securely.
- Failure to make sure that the lap belt is secure and adjusted prior to use could cause serious injury to the user. e.g. too loose a strap may allow the user to slip down in the chair and risk suffocation.

### MAINTENANCE:

Check lap belt and securing components at regular intervals for any sign of fraying or damage. Replace if necessary. Clean the lap belt with warm soapy water and allow it to dry.



**DANGER!**

The lap belt should be adjusted to suit the end user as detailed above Sunrise Medical also recommend that the length and fit of the belt is checked on a regular basis to reduce the risk of the end user inadvertently re-adjusting the belt to an excessive length. If in doubt about the use and operation of the seat belt then ask your healthcare professional, wheelchair dealer, carer or attendant for assistance.

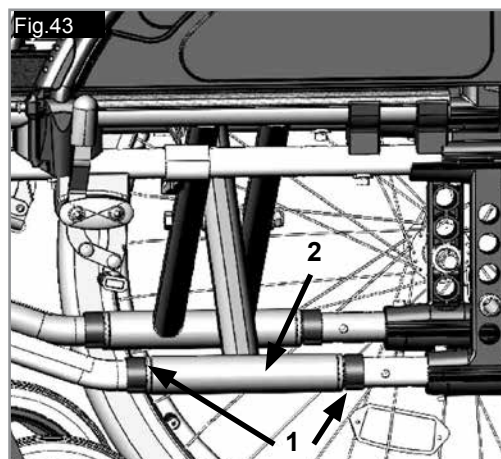
## Options – Seat depth

### SEAT DEPTH

By removing the clips (1), the cross-brace unit (2) can be pushed along the frame, which then alters the seat depth (depending on the position of the back tubes).

Make sure that the clips (1) snap into the frame holes provided.

To keep the frame as compact as possible, the seat depth can also be adjusted by using the back tubes (41 – 51 cm in steps of 2.5 cm). To do this remove the screws (1 and 2) on the back tube bracket. Remove the wheels and the armrests and check that the cross-brace is in the desired position (push the cross-brace as described above). Move the back tubes to the desired position and re-tighten all screws. Move the receiver tube for the armrests to the desired position (Fig. 43).



## Options – Push handles

### HEIGHT-ADJUSTABLE PUSH HANDLES

These handles are secured with pins to prevent them from sliding out unintentionally. By releasing the release lever (1) you can adjust the push handles to a height which suits you. After any adjustment to the height of the push handles, pull the release lever (1) until it is tight (Fig. 44).



#### ⚠ CAUTION:

If the lever is not secure, injuries could result when lifting over obstacles.

## Options – Crutch holder

### CRUTCH HOLDER

This device permits crutches to be transported directly on a wheelchair. It has a Velcro loop to fasten crutches or other aids (Fig. 45).



#### ⚠ CAUTION:

Never try to use or even remove the crutches or other aids while moving.

## Options - Therapy table

### THERAPY TABLE

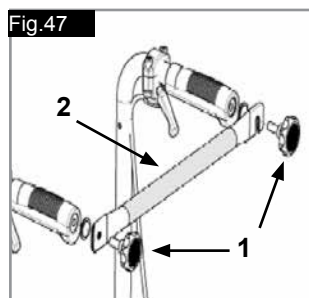
The tray provides a flat surface for most activities. Before using a tray, it first has to be adjusted to the width of the seat by an authorised dealer. The user must be sitting in the wheelchair during this adjustment (Fig. 46).



## Options - Stabilising Bar

### RECLINER STABILISING BAR

Open star-knob (1) and swing the stabilising bar (2) out of the way before folding the chair. To reinstate the wheelchair, reverse the above procedure, (Fig.47).

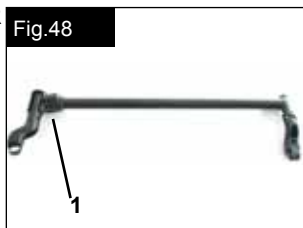


#### ⚠ DANGER!

- Before using the wheelchair ensure that the stabiliser bar and star-knobs are in place and are tightened correctly.
- Never use the stabiliser bar to lift the chair!

### SWINGAWAY STABILISING BAR

This bar is used to stabilise the backrest. To be able to fold the wheelchair, the release lever (1) must be pushed inwards and the stabilising bar must be flipped downwards. When unfolding the wheelchair, please make sure that the stabilising bar is locked into position (Fig. 48).



## FOLDING STABILISING BAR

This bar is used to stabilise the backrest. To be able to fold the wheelchair, the stabilising bar must be pushed downwards in the middle (1). To completely unfold the wheelchair, the carrying handle (2) must be pulled upwards, (Fig.49).



## Options – Headrests

### HEADRESTS

The headrest can be raised and moved both forwards and backwards. To do this, simply loosen the screw, adjust the headrest to the desired position, and tighten the screw (see the section on torque) (Fig. 50).



### COMFORT HEADREST

For adjusting the height open knob and position the headrest in the desired height. Finally tighten the knob again, (Fig.51).



## Options – Transit wheels

### TRANSIT WHEELS

**Transit wheels** should be used wherever your wheelchair would be too wide if the rear wheels were used (e.g., in airplanes, buses, etc.). After the rear wheels have been removed with the aid of the quick-release axles, the **transit wheels** can immediately be used to continue riding. The **transit wheels** are mounted so that they are approx. 3 centimeters above the ground when not in use. They are thus out of the way when riding, transporting or when tipping to pass over obstacles (e.g., kerbs, steps, etc.) (Fig. 52).



#### ⚠ CAUTION:

Your wheelchair does not have any wheel locks when the transit wheels are being used.

## Options – One-hand operation

### ONE-HAND OPERATION

To move the wheelchair in a straight line, both hand wheels must be operated. If the wheelchair is to be folded up, remove the pull-off bar by pushing it inwards (Fig. 53).



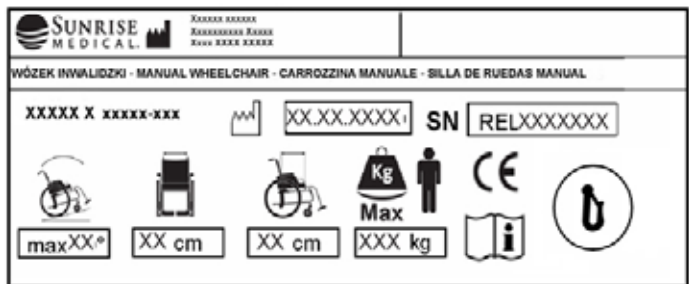
#### ⚠ CAUTION:

To avoid injury, always make sure that all connections are firmly in place.

**Name Plate**

**Nameplates**

The nameplate is located on either the cross-tube assembly or the transverse frame tube, as well as on a label in the owner's manual. The nameplate indicates the exact model designation and other technical specifications. Please provide the following pieces of information whenever you have to order replacement parts or to file a claim:



	<b>RubiX<sup>2</sup></b>	Product Name/SKU Number.
	XXXXX X XXXXX-XXX	
		Maximum safe slope with anti-tips fitted, Depends on wheelchair setting, posture and physical capabilities of the user.
		Seat width.
		Depth (maximum).
		Load Maximum.
		CE Mark
		User's Guide.
		Crash Tested
	XX.XX.XXXX	Date of manufacture.
	SN RELXXXXXXX	Serial number.

Due to our policy of continuous improvement in the design of our wheelchairs, product specifications may vary slightly from the examples illustrated. All weight/dimensions and performance data are approximate and provided solely for guidance. Sunrise Medical complies with the EU Medical Devices Directive 93/42/EEC

All wheelchairs must be used in accordance with the manufacturer's guidelines.

Sunrise Medical Poland  
 Sp. z o.o. ul. Elektronowa 6,  
 94-103 Łódź  
 Polska  
 Telefon: + 48 42 275 83 38  
 Fax: + 48 42 209 35 23  
 E-mail:  
 pl@sunrisemedical.de  
 Sunrise-Medical.pl

**Tyres and mounting**

**TYRES AND MOUNTING**

Solid tyres are standard. With pneumatic tyres make sure that you maintain the correct tyre pressure, as this can have an effect on wheelchair performance. If the tyre pressure is too low, rolling resistance will increase, requiring more effort to move the chair forward. Low tyre pressure also has a negative impact on manoeuvrability. If the tyre pressure is too high, the tyre could burst. The correct pressure for a given tyre is printed on the surface of the tyre itself.

Tyres can be mounted the same way as an ordinary bicycle tyre. Before installing a new inner tube, you should always make sure that the base of the rim and the interior of the tyre are free of foreign objects. Check the pressure after mounting or repairing a tyre. It is critical to your safety and to the wheelchair's performance that regulation air pressure be maintained and that tyres be in good condition.

**Maintenance and care**

**SAFETY CHECK:**

As the user you will be the first person to notice any possible defects. We therefore recommend that before each use, you check the following:

- The tyre pressure is correct.
- The brakes work correctly.
- All removable parts are securely fastened (e.g. armrests, footrest hangers, quick-release axles ...).
- If there is any damage/defect, please contact your authorised dealer.

**MAINTENANCE:**

- Check the tyre pressure at regular intervals.
- Check all tyres for wear and damage at regular intervals, at least annually. Change the tyres as soon as there is any sign of damage or wear.
- Check the seat and back sling for wear and damage at regular intervals, at least annually. Change these items as soon as there is any sign of damage or wear.
- Check all frame and backrest components for wear and damage at regular intervals, at least annually. Change these items as soon as there is any sign of damage or wear.
- Check the brakes for wear and damage at regular intervals, at least annually. Check that they are working properly and are easy to use. Change the brakes as soon as there is any sign of damage or wear.
- Check to make sure all bolts are secure (see the section on torque) at regular intervals, at least annually. All screws which are critical to using the wheelchair safely have safety nuts. Safety nuts should only be used once and should be replaced after use.

**NOTE:** If torque settings are given, then we strongly recommend that you use a torque measuring device, in order to check that you have tightened to the correct torque. Please use only mild household cleaners when your wheelchair is dirty. Use only soap and water when cleaning the seat upholstery and lap belt. Depending on the frequency and type of use, we recommend taking your wheelchair to your authorised dealer regularly, but at least within a year, to have it maintained by trained personnel.

**CAUTION!**

Sand, salt and sea water can damage the bearings of the front and rear wheels. Clean and dry the wheelchair carefully, after they have been exposed to these elements.

## HYGIENE WHEN BEING REUSED:

When the chair is to be reused, it should be prepared carefully, and be wiped and treated with spray disinfectant on all surfaces which could come into contact with the user.

If you need to do this quickly, you must use a liquid, alcohol-based disinfectant suitable for medical products and devices. Please pay attention to the manufacturer's instructions of the disinfectant you are using.

## Trouble shooting

### Wheelchair pulls to one side

- Check tyre pressure
- Check to make sure wheel turns easily (bearings, axle)
- Check the castor angle
- Check to make sure both castors are making proper contact with the ground

### Castors begin to wobble

- Check the castor angle
- Check to make sure all bolts are secure; tighten if necessary (see the section on torque)
- Check to make sure both castors are making proper contact with the ground

### Wheelchair squeaks and rattles

- Check to make sure all bolts are secure; tighten if necessary (see the section on torque)
- Apply small amount of lubrication to spots where movable parts come in contact with one another

### Wheelchair begins to wobble

- Check angle at which castors are set
- Check tyre pressure
- Check to see if rear wheels are adjusted differently

## Disposal / recycling of materials

**NOTE:** If the wheelchair has been supplied to you free of charge it may not belong to you. If it is no longer required follow any instructions given by the organisation issuing the wheelchair in order that it may be returned to them.

The following information describes the materials used in the wheelchair in relation to the disposal or re-cycling of the wheelchair and its packaging.

Specific waste disposal or recycling regulations may be in force locally and these should be taken into consideration when disposal arrangements are made. (This may include the cleaning or de-contamination of the wheelchair before disposal).

**Aluminium:** Castor forks, wheels, side frames, armrests, frame, leg rests, push handles

**Steel:** Fasteners, QR axle

**Plastic:** Handgrips, tube plugs, castor wheels, footplates, armpads and 12" wheel/tyre

**Packaging:** Low density polythene bag, cardboard box

**Upholstery:** Woven polyester with PVC coatings and expanded combustion modified foam.

Disposal or recycling should be done through a licensed agent or authorised place of disposal. Alternatively your wheelchair may be returned to your dealer for disposal.



## Technical Data

### Overall width:

- With standard wheels including handrims, close mount:  
RubiX<sup>2</sup>: SW +19 cm
- With drum brake wheels including handrims, close mounted:  
RubiX<sup>2</sup>: SW +21 cm

### Folded dimensions:

- With standard wheels:  
RubiX<sup>2</sup>: 30 cm
- Without standard wheels:  
RubiX<sup>2</sup>: 24 cm

### Maximum load:

- RubiX<sup>2</sup> up to a load of 125 kg
- Reinforced version RubiX<sup>2</sup> XL up to a load of 170 kg

### Weights in kg:

- Transportation (without footrest, wheels, sideguard) 8.4 kg
- Transportation RubiX<sup>2</sup> XL, (without footrest, wheels, sideguard): 11.4 kg
- Footrest (unit): 0.8 kg
- Standard sideguard (unit): 0.8 kg
- 24" rear wheels (solid) (pair): 3.8 kg

Maximum occupant mass (test dummy mass): 125 kg, (XL= 170kg)

## ALSO SEE PAGE 4

In Accordance with EN12183: 2009 all there listed parts (seat - back upholstery, arm pad, side panel...) are fire resistant as per EN1021-2 .

The Dynamic safe slope is dependant on the chair configuration, the users abilities and the style of riding. As the users abilities and style of riding cannot be predetermined then the max safe slope cannot be determined. Therefore this must be determined by the user with the assistance of an attendant to prevent tipping. It is strongly recommended that inexperienced users have Ant-tips fitted.

The wheelchair conforms to the following standards:

- a) Requirements and test methods for static, impact and fatigue strengths (ISO 7176-8)
- b) Requirements for resistance to ignition in accordance with ISO 7176-16 (EN 1021-1)

## Torque

Unless otherwise advised, the torque for M6 screws is 7 Nm. Please refer to page 5 for details

## Seat Height Adjustment

Please refer to the table on page 5.

## Vorwort

Sehr geehrter Kunde,

Wir freuen uns sehr, dass Sie ein Spitzenqualitätsprodukt von SUNRISE MEDICAL gewählt haben.

Dieses Handbuch vermittelt Ihnen zahlreiche Tipps und Ideen, damit Ihr neuer Rollstuhl ein vertrauter und zuverlässiger Partner im Leben werden kann.

Wir möchten, dass Sie mit unseren Produkten und unserem Service zufrieden sind. Sunrise Medical arbeitet daher ständig an der Weiterentwicklung seiner Produkte. Aus diesem Grund können in unserer Produktreihe Änderungen in der Form, Technologie und Ausstattung vorkommen. Es können also aus den Angaben und Abbildungen in diesem Handbuch keine Ansprüche abgeleitet werden.

Das Managementsystem von SUNRISE MEDICAL ist zertifiziert nach DIN ISO 9001, ISO 13485 und ISO 14001.



**SUNRISE MEDICAL erklärt als Hersteller, dass die Rollstühle mit den Anforderungen der Richtlinie 93/42/EWG, geändert durch 2007/47/EG, übereinstimmen.**

**Sie erfüllen außerdem die Leistungsanforderung "Crash Test" nach ISO 7176-19**

Fragen zum Gebrauch, zur Wartung und Sicherheit Ihres Rollstuhls richten Sie bitte an den zuständigen, zugelassenen SUNRISE MEDICAL Fachhändler.

Falls sich kein zuständiger Fachhändler in Ihrer Nähe befindet oder falls Sie Fragen haben, können Sie Sunrise Medical auch schriftlich oder telefonisch erreichen (Kontaktadressen auf der letzten Seite).

Sunrise Medical GmbH & Co. KG  
Kahlbachring 2-4  
69254 Malsch/Heidelberg  
Deutschland  
Tel.: +49 (0) 7253/980-0  
Fax: +49 (0) 7253/980-222  
kundenservice@sunrisemedical.de  
www.SunriseMedical.de

Bitte notieren Sie die Adresse und Telefonnummer Ihres zuständigen Kundendiensts unten in dem dafür vorgesehenen Feld. Benachrichtigen Sie ihn im Fall einer Panne, und versuchen Sie, alle relevanten Einzelheiten anzugeben, damit Ihnen rasch geholfen werden kann.



**WICHTIG:**  
BENUTZEN SIE IHREN ROLLSTUHL ERST, WENN SIE DIESES HANDBUCH VOLLSTÄNDIG GELESEN UND VERSTANDEN HABEN.

## Legende für die Symbole



### GEFAHR!

Warnungen zu möglichen Gefahren von schweren Unfällen oder Lebensgefahr.



### WARNUNG!

Warnungen zu möglichen Verletzungsgefahren.



### VORSICHT!

Warnungen zu möglichen technischen Schäden.

### HINWEIS:

Informationen zur Bedienung des Produkts.

## Inhaltsverzeichnis

<b>Vorwort</b>	<b>22</b>
<b>Legende für die Symbole</b>	<b>22</b>
<b>Inhaltsverzeichnis</b>	<b>22</b>
<b>Verwendung</b>	<b>22</b>
<b>Verwendungszweck</b>	<b>22</b>
<b>Allgemeine Sicherheitshinweise und Fahrbeschränkungen</b>	<b>23</b>
<b>Garantie</b>	<b>25</b>
<b>Transport</b>	<b>26</b>
<b>Handhabung</b>	<b>28</b>
<b>Optionen – Ankippbügel</b>	<b>28</b>
<b>Optionen - Bremsen</b>	<b>28</b>
<b>Optionen - Fußplatten</b>	<b>29</b>
<b>Optionen - Lenkräder</b>	<b>30</b>
<b>Optionen – Lenkrad-Adapter</b>	<b>30</b>
<b>Optionen - Rücken</b>	<b>30</b>
<b>Optionen – Seitenteil</b>	<b>31</b>
<b>Optionen – Hemi-Armauflage</b>	<b>32</b>
<b>Optionen - Sicherheitsräder</b>	<b>32</b>
<b>Optionen – Beckengurt</b>	<b>32</b>
<b>Optionen - Sitztiefe</b>	<b>33</b>
<b>Optionen - Schiebegriffe</b>	<b>34</b>
<b>Optionen – Stockhalter</b>	<b>34</b>
<b>Optionen - Therapietisch</b>	<b>34</b>
<b>Optionen - Stabilisierungstange</b>	<b>34</b>
<b>Optionen - Kopfstütze</b>	<b>34</b>
<b>Optionen - Transitrollen</b>	<b>34</b>
<b>Optionen - Einhand Antrieb</b>	<b>34</b>
<b>Typenschild</b>	<b>35</b>
<b>Reifen und Montage</b>	<b>35</b>
<b>Wartung und Pflege</b>	<b>35</b>
<b>Fehlersuche</b>	<b>36</b>
<b>Entsorgung / Recycling von Materialien</b>	<b>36</b>
<b>Technische Daten &gt;&gt;&gt;</b>	<b>36</b>
<b>Drehmoment</b>	<b>36</b>
<b>Sitzhöhenverstellung</b>	<b>36</b>

## Verwendung

Leichtrollstühle sind ausschließlich für gehunfähige oder gehbehinderte Menschen zum individuellen Gebrauch im Haus und im Freien auf trockenem, festem und ebenem Untergrund bestimmt (Selbstfahrer oder Schieben durch Begleitperson).

Das Höchstgewicht (das Körpergewicht des Benutzers und das Gewicht des im Rollstuhl eingebauten Zubehörs) ist auf dem Etikett mit der Seriennummer angegeben, das an der Querstange oder an der Stabilisierungsstange unter dem Sitz angebracht ist.

Eine Gewähr kann nur übernommen werden, wenn das Produkt unter den vorgegebenen Bedingungen und zu den vorgesehenen Zwecken eingesetzt wird.

Die vorgesehene Lebensdauer des Rollstuhls beträgt 5 Jahre. KEINE Teile von anderen Herstellern verwenden, außer diese sind von Sunrise Medical offiziell zugelassen.

## Verwendungszweck

Die Vielfalt an Ausstattungsvarianten sowie die modulare Bauweise erlauben einen Einsatz bei Gehunfähigkeit/Gehbehinderung durch:

- Lähmung
- Gliedmaßenverlust (Beinamputation)
- Gliedmaßendefekt/Deformation
- Gelenkkontrakturen/-schäden
- Erkrankungen wie Herz- und Kreislaufinsuffizienz, Gleichgewichtsstörungen oder Kachexie sowie für Geriatriker mit noch verwendbaren Restkräften der oberen Gliedmaßen.

Beachten Sie bei der Versorgung außerdem auf Körpergröße, Gewicht, physische und psychische Verfassung, Alter des Behinderten, Wohnverhältnisse und Umwelt.

Technik und Bauweise dieses Rollstuhls sind für die maximale Sicherheit entworfen. Die aktuell gültigen internationalen Sicherheitsstandards wurden erfüllt oder teilweise übererfüllt. Dennoch kann sich der Benutzer einem Risiko aussetzen, wenn er den Rollstuhl nicht vorschriftsmäßig handhabt. Beachten Sie zu Ihrer eigenen Sicherheit bitte unbedingt die nachstehenden Regeln. Unfachmännische oder fehlerhafte Änderungen oder Einstellungen erhöhen das Unfallrisiko. Als Rollstuhlfahrer sind Sie auch Verkehrsteilnehmer und Passant auf Straßen und Gehwegen. Wir möchten Sie daran erinnern, dass für Sie als Rollstuhlfahrer alle Verkehrsregeln gelten.

Seien Sie auf Ihrer ersten Fahrt im Rollstuhl besonders vorsichtig. Lernen Sie Ihren Stuhl kennen.

Überprüfen Sie Folgendes vor jedem Gebrauch:

- Starrachsen oder Steckachsen an den Hinterrädern.
- Klettverschluss am Sitz und an der Rückenlehne
- Reifen, Reifendruck und Feststellbremsen.

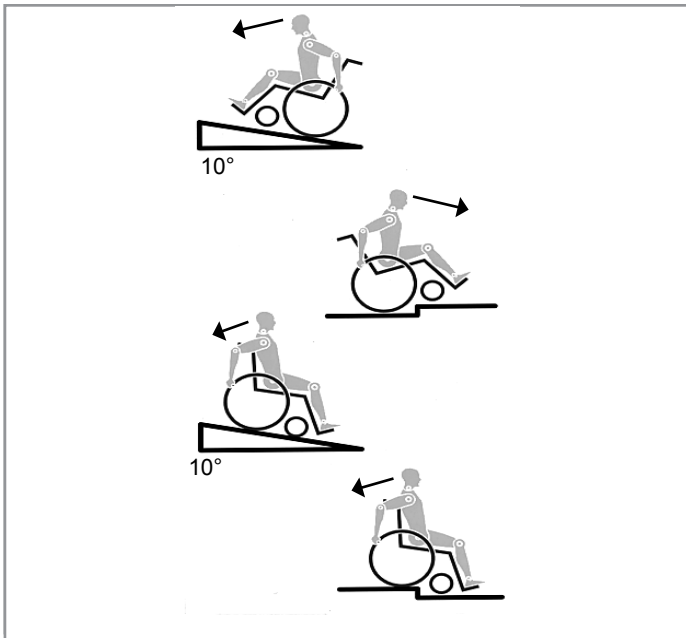
Sollten irgendwelche Veränderungen an den Einstellungen vorgenommen werden, ist es wichtig, den entsprechenden Abschnitt der Gebrauchsanweisung zu lesen.

Besonders beim Befahren von Steigungen oder Gefällen können Schlaglöcher oder unebener Untergrund den Rollstuhl zum Kippen bringen. Wird eine Stufe oder ein Anstieg vorwärts befahren, sollte der Körper nach vorne geneigt sein.

### GEFAHR!

Überschreiten Sie NIEMALS die Höchstlast von 125 kg, (XL=170 kg), für den Fahrer plus mitgeführte Gegenstände. Das Überschreiten der Maximalen Zuladung kann zu Schäden am Stuhl, zu Fallen oder Kippen aus dem Rollstuhl, Verlust der Kontrolle, oder zu schweren Verletzungen des Fahrers und anderer Personen führen.

- Tragen Sie im Dunklen möglichst helle Kleidung oder Kleidung mit Reflektoren, um besser gesehen werden zu können. Achten Sie darauf, dass die seitlich und rückwärtig am Rollstuhl angebrachten Reflektoren gut sichtbar sind.
- Wir empfehlen Ihnen auch das Anbringen einer aktiven Beleuchtung.
- Um Stürze und gefährliche Situationen zu vermeiden, sollten Sie den Umgang mit Ihrem neuen Rollstuhl erst auf ebenem, überschaubarem Gelände üben.
- Benutzen Sie zum Ein- oder Aussteigen aus dem Rollstuhl nicht die Fußbretter.
- Diese sollten vorher hochgeklappt und möglichst nach außen weggeschwenkt werden. Begeben Sie sich immer so nah wie möglich an die Stelle, an der Sie umsteigen möchten.
- Lassen Sie bei der Benutzung des Rollstuhls immer Vorsicht walten. Vermeiden Sie z.B. ein ungebremstes Fahren gegen ein Hindernis (Stufen, Bordsteinkante) oder Herunterfahren von Kanten.



- Die Feststellbremsen sind nicht dazu gedacht, Ihren Rollstuhl während der Fahrt zu bremsen. Sie sichern den Rollstuhl gegen das Wegrollen. Wenn Sie auf unebenem Untergrund anhalten, ziehen Sie immer die Feststellbremse an, damit sich der Rollstuhl nicht plötzlich bewegen kann. Ziehen Sie die Bremsen auf beiden Seiten an, sonst könnte der Stuhl kippen.
- Erforschen Sie die Auswirkungen von Schwerpunktverlagerungen auf das Verhalten des Rollstuhls, zum Beispiel auf Gefällstrecken, Steigungen, sämtlichen Neigungen oder beim Überwinden von Hindernissen nur mit sicherer Unterstützung eines Helfers.
- Bei extremen Einstellungen (z.B. Antriebsräder in vorderster Position) und ungünstiger Körperhaltung kann der Rollstuhl bereits auf ebener Fläche kippen.
- Neigen Sie Ihren Oberkörper beim Befahren von Steigungen und Stufen weit nach vorn.
- Lehnen Sie Ihren Oberkörper beim Befahren von Neigungen und Stufen weiter nach hinten. Versuchen Sie keinesfalls, Gefälle diagonal hinauf oder hinunter zu fahren.
- Vermeiden Sie Rolltreppen, da diese bei einem Sturz schwere Verletzungen verursachen können.
- Den Rollstuhl nicht an Gefällen bzw. Steigungen von mehr als 10° verwenden. Die dynamische Stabilität an Gefällen hängt von der Konfiguration des Rollstuhls, den Fertigkeiten und dem Fahrstil des Benutzers ab. Da die Fertigkeiten des Benutzers und der Fahrstil nicht vorherbestimmt werden können, kann der Höchstwert für das sichere Gefälle nicht bestimmt werden. Dieser muss vom Benutzer mit Hilfe einer Begleitperson ermittelt werden, um das Umkippen zu verhindern. Für unerfahrene Benutzer wird der Einbau von Sicherheitsrädern dringend empfohlen.
- Besonders beim Befahren von Steigungen oder Gefällen können Schlaglöcher oder unebener Untergrund den Rollstuhl zum Kippen bringen.
- Den Rollstuhl nicht auf schlammigem oder vereistem Grund verwenden.
- Den Rollstuhl nur dort verwenden, wo auch Fußgänger zugelassen sind.
- Zur Vermeidung von Handverletzungen greifen Sie bei der Fahrt mit dem Rollstuhl nicht zwischen die Speichen oder zwischen das Antriebsrad und die Radbremse.
- Bei Verwendung von Leichtmetallgreifringen kann es beim Abbremsen aus schneller Fahrt oder auf längeren Gefällestrecken zum Erhitzen der Greifringe kommen.
- Treppen dürfen nur mit Hilfe von Begleitpersonen überwunden werden. Sind dafür Einrichtungen wie z.B. Auffahrrampen oder Aufzüge vorhanden, so sind diese zu benutzen. Fehlen solche Einrichtungen, ist der Rollstuhl anzukippen und über die Stufen zu führen (2 Helfer). Wir empfehlen, Benutzer mit einem Körpergewicht über 100 kg nicht auf diese Weise zu transportieren. Generell müssen montierte Sicherheitsräder zuvor so eingestellt werden, dass sie beim Transport nicht auf die Stufen aufsetzen können, da es sonst zu schweren Stürzen kommen kann. Anschließend müssen die Sicherheitsräder wieder korrekt eingestellt werden.
- Achten Sie darauf, dass die Begleitpersonen den Rollstuhl nur an fest montierten Bauteilen anfassen. Keine abnehmbaren Teile (z.B. die Fußrasten oder Seitenteile) dafür verwenden.
- Achten Sie beim Benutzen von Hebebühnen darauf, dass sich montierte Sicherheitsräder außerhalb des Gefahrenbereichs befinden.
- Sichern Sie Ihren Rollstuhl auf unebenem Gelände oder beim Umsteigen (z. B. ins Auto) durch Betätigen der Bremse.
- Achten Sie beim Benutzen von Hebebühnen darauf, dass sich montierte Sicherheitsräder außerhalb des Gefahrenbereichs befinden.
- Sichern Sie Ihren Rollstuhl auf unebenem Gelände oder beim Umsteigen (z. B. ins Auto) durch Betätigen der Bremse.
- Wenn und wann immer möglich, sollten Fahrzeuginsassen während der Fahrt in einem Behindertentransportkraftwagen (BTW) die im Fahrzeug installierten Sitze und die dazugehörigen Rückhaltesysteme nutzen. Nur so sind Insassen bei einem Unfall optimal geschützt.
- Abhängig von Durchmesser und Einstellung der Lenkräder sowie der Schwerpunkteinstellung des Rollstuhls kann bei höheren Geschwindigkeiten ein Flattern der Lenkräder auftreten. Dies kann zu einem Blockieren der Lenkräder und zum Kippen des Rollstuhls führen. Achten Sie daher auf eine korrekte Einstellung der Lenkräder (siehe Kapitel «Lenkräder»).

## **GEFAHR!**

- Befahren Sie insbesondere Gefällstrecken nicht ungebremst, sondern mit reduzierter Geschwindigkeit. Die Verwendung von Sicherheitsrädern ist bei ungeübten Nutzern unbedingt empfehlenswert.
- Die Sicherheitsräder sollen ein unbeabsichtigtes Kippen nach hinten verhindern. Keinesfalls sollen sie die Funktion von Transittrollen übernehmen, etwa um eine Person bei abgenommenen Antriebsrädern im Rollstuhl zu transportieren.
- Achten Sie beim Ergreifen von Gegenständen (die vor, seitlich oder hinter dem Rollstuhl liegen) darauf, dass Sie sich nicht zu weit aus dem Rollstuhl lehnen, da durch Schwerpunktverlagerung eine Kipp- bzw. Überschlaggefahr besteht. Das Aufhängen von zusätzlichen Lasten (Rucksack oder ähnliche Gegenstände) an die Rückenpfosten Ihres Rollstuhls kann die Stabilität Ihres Rollstuhls nach hinten beeinträchtigen, vor allem, wenn der Rückenwinkel nach hinten verstellt wurde. Der Rollstuhl kann dadurch nach hinten kippen und Verletzungen verursachen.
- Bei Oberschenkelamputation müssen die Sicherheitsräder verwendet werden.
- Achten Sie vor Fahrtantritt auf den korrekten Luftdruck der von Ihnen verwendeten Bereifung. Bei den Antriebsrädern muss er mindestens 3,5 bar (350 kPa) betragen. Der max. Luftdruck ist am Reifen angegeben. Die Kniehebelbremsen sind nur bei ausreichendem Luftdruck und korrekter Einstellung wirksam (siehe Kapitel "Bremsen").
- Sollte die Sitz- und Rückenbespannung beschädigt sein, tauschen Sie diese bitte umgehend aus.
- Vorsicht beim Umgang mit Feuer, insbesondere brennenden Zigaretten. Sitz- und Rückenbespannung könnten sich entzünden.
- Wenn der Rollstuhl längere Zeit direkter Sonneneinstrahlung / niedrigen Temperaturen ausgesetzt war, können Teile des Rollstuhls (z.B. Rahmen, Fußrasten, Bremsen und Seitenteile) sehr heiß (>41°C) bzw. sehr kalt (<0°C) werden.
- Achten Sie immer darauf, dass die Steckachsen an den Hinterrädern (falls eingebaut) richtig eingestellt sind und ganz einrasten (Kugellager sind ganz durch die Achsaufnahme sichtbar). Bei nicht gedrücktem Knopf der Steckachse darf sich das Antriebsrad nicht entfernen lassen.

## **VORSICHT!**

- Sowohl die Wirkung der Kniehebelbremse als auch das allgemeine Fahrverhalten sind vom Luftdruck abhängig. Mit korrekt aufgepumpten Antriebsrädern und gleichem Luftdruck auf beiden Rädern lässt sich Ihr Rollstuhl wesentlich leichter und besser manövrieren.
- Achten Sie auf eine ausreichende Profiltiefe Ihrer Bereifung!
- Beachten Sie bitte, dass Sie bei Fahrten im öffentlichen Straßenverkehr der Straßenverkehrsordnung unterliegen.
- Lassen Sie bei der Handhabung und beim Einstellen des Rollstuhls immer Vorsicht walten!
- Anpassungen, für die Werkzeug benötigt wird, sollten nur von autorisierten Fachhändlern vorgenommen werden.
- Reinigen Sie den Rollstuhl regelmäßig, um Rostbildung und Korrosion durch Salz zu vermeiden.
- Überprüfen Sie die Nieten, Muttern und Schrauben, um sicherzustellen, dass sie fest sitzen und sich keine Rollstuhlteile lösen.
- Bei allen beweglichen Teilen besteht immer die Gefahr, dass die Finger eingeklemmt werden können. Bitte immer vorsichtig handhaben.
- Die Rollstühle, die in diesem Handbuch abgebildet und beschrieben sind, entsprechen möglicherweise nicht in allen Einzelheiten genau Ihrem eigenen Modell. Dennoch sind alle Anweisungen trotz möglicher Detailunterschiede völlig relevant.
- Der Hersteller behält sich das Recht vor, Gewichte, Abmessungen oder andere in diesem Handbuch aufgeführte technische Daten ohne vorherige Benachrichtigung zu ändern. Alle in diesem Handbuch aufgeführten Zahlenangaben, Abmessungen und Kapazitäten sind ungefähr und stellen keine präzisen technischen Daten dar.

## **GEFAHR!**

**ERSTICKUNGSGEFAHR** – Diese Mobilitätshilfe enthält Kleinteile, die unter Umständen eine Erstickungsgefahr für kleine Kinder darstellen können.

## **LEBENSDAUER**

Die erwartete Lebensdauer des Rollstuhls beträgt 5 Jahre, vorausgesetzt:

Die bestimmungsgemäße Verwendung wird genau beachtet. Alle Anforderungen in Bezug auf Service und Wartung werden erfüllt.



### **DIESE GARANTIE BESCHRÄNKT IHRE GESETZLICHEN RECHTE IN KEINER WEISE.**

Sunrise Medical\* gewährt ihren Kunden weltweit auf ihre Rollstühle eine Garantie zu den folgenden

#### **Garantiebedingungen**

1. Sollte ein Teil oder sollten Teile des Rollstuhls als Folge eines Herstellungs- und/oder Materialfehlers innerhalb von 24 Monaten bzw. bei Rahmen- und Kreuzstreben innerhalb von 5 Jahren nach der Auslieferung an den Käufer eine Reparatur oder einen Austausch benötigen, wird das betroffene Teil bzw. werden die betroffenen Teile repariert oder kostenlos ausgetauscht.
2. Zur Geltendmachung der Garantie benachrichtigen Sie umgehend den Sunrise Medical Kundendienst mit genauen Angaben zur Art der Schwierigkeiten. Sollten Sie den Rollstuhl außerhalb des Zuständigkeitsbereichs des Sunrise Medical Kundendienstes verwenden, werden Reparatur oder Austausch von einem anderen vom Hersteller bezeichneten Kundendienst ausgeführt. Der Rollstuhl muss von einem zuständigen Sunrise Medical Kundendienst (Händler) repariert werden.
3. Für Teile, die im Rahmen dieser Garantie repariert oder ausgetauscht werden, gewähren wir eine Garantie nach diesen Garantiebedingungen für die für den Rollstuhl verbleibende Garantiedauer nach Ziffer 1).
4. Für Originalersatzteile, die auf Kosten des Käufers eingebaut werden, gewähren wir 24 Monate Garantie ab dem Einbau nach diesen Garantiebedingungen (für Batterien gilt davon abweichend jedoch nur eine verringerte Garantiezeit von 12 Monaten).
5. Verschleißteile wie Polster, Reifen, Schläuche, Bespannungen und ähnliche Teile sind von der Garantie ausgeschlossen, es sei denn es liegt eine vorzeitige Abnutzung des Teils vor, die direkt auf einen Herstellungsfehler zurückzuführen ist.
6. Ansprüche aus dieser Garantie entfallen, wenn eine Reparatur oder ein Ersatz des Rollstuhls oder eines Teiles aus den folgenden Gründen erforderlich ist:
  - a) Das Produkt oder das Teil wurde nicht gemäß den in der Betriebsanleitung und/oder dem Service-Handbuch aufgeführten Empfehlungen des Herstellers gepflegt oder gewartet.
  - b) Es wurde Zubehör verwendet, bei dem es sich nicht um Originalzubehör handelte.
  - c) Der Rollstuhl oder ein Teil des Rollstuhls wurde durch Nachlässigkeit, Unfall oder unsachgemäße Verwendung beschädigt.
  - d) Es wurden Änderungen/Modifikationen am Rollstuhl oder an Teilen vorgenommen, die von unseren Herstellerspezifikationen abweichen.
  - e) Es wurden Reparaturen durchgeführt, bevor unser Kundendienst über den jeweiligen Sachverhalt informiert wurde.
7. Diese Garantie unterliegt dem Recht des Landes indem das Produkt von Sunrise Medical gekauft worden ist.

\* Bedeutet der Sunrise Medical Standort von dem das Produkt gekauft wurde.

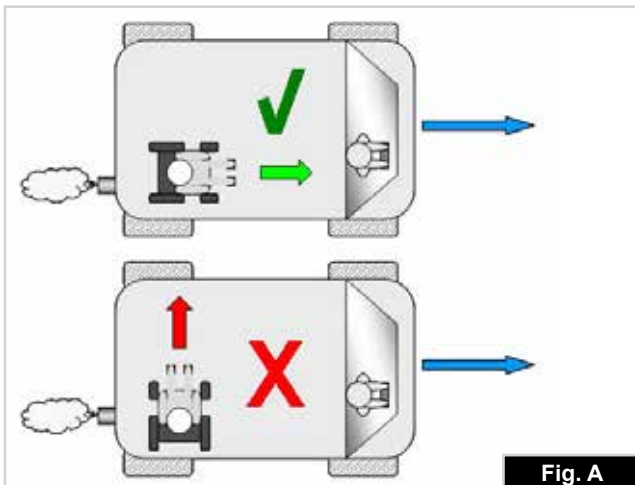
### **GEFAHR!**

Bei Nichtbeachtung dieser Ratschläge besteht die Gefahr von schweren Körperverletzungen und sogar Lebensgefahr!

Transport Ihres Rollstuhls in einem Fahrzeug:

Ein in einem Fahrzeug gesicherter Rollstuhl bietet nicht die gleiche Sicherheit wie das Sitzsystem eines Fahrzeugs. Wir empfehlen immer, dass der Benutzer in das Sitzsystem des Fahrzeugs umsteigt. Wir erkennen an, dass es in der Praxis nicht immer möglich ist, dass der Benutzer umsteigt und in diesem Fall müssen die folgenden Ratschläge beachtet werden, wenn der Benutzer im Rollstuhl sitzend transportiert werden muss:

1. Überprüfen Sie, dass das Fahrzeug für den Transport eines Insassen in einem Rollstuhl ausgestattet ist und über einen für Ihren Rollstuhltyp geeigneten Zugang/Ausgang verfügt. Das Fahrzeug muss über eine ausreichende Tragkraft für das Gesamtgewicht, d.h., das Körpergewicht des Benutzers und das Gewicht von Rollstuhl und Zubehör, verfügen.
2. Um den Rollstuhl herum sollte genügend Platz zur Verfügung stehen, damit das Rückhaltesystem und die Sicherheitsgurte des Rollstuhls und für den Benutzer angelegt, festgezogen und wieder geöffnet werden können.
3. Wenn sich der Benutzer im Rollstuhl befindet, muss dieser vorwärts gerichtet stehen und mit den Befestigungsgurten für den Rollstuhl und den Sicherheitsgurten des Rollstuhls (Befestigungsgurte gemäß WTORS müssen den Anforderungen von ISO 10542 oder SAE J2249 entsprechen) gemäß der Gebrauchsanweisung des Herstellers des Rückhaltesystems (WTORS) befestigt werden.
4. Der Rollstuhl wurde für den Transport in einem Fahrzeug in einer anderen Stellung nicht geprüft, so darf z.B. der Rollstuhl keinesfalls seitlich gerichtet transportiert werden (Fig. A).
5. Der Rollstuhl muss mit einem Rückhaltesystem gemäß ISO 10542 oder SAE J2249 mit nicht verstellbaren Gurten vorne und verstellbaren Gurten hinten gesichert werden, dabei handelt es sich normalerweise um Karabinerhaken/S-förmige Haken sowie um Steckverschlüsse. Die Rückhaltesysteme bestehen normalerweise aus 4 Einzelgurten, die an den vier Ecken des Rollstuhls befestigt werden.
6. Das Rückhaltesystem muss wie auf der nächsten Seite abgebildet am Fahrgestell des Rollstuhls und nicht an Anbauten oder Zubehör, z.B. nicht um die Speichen der Räder, die Bremse oder Fußraste befestigt werden.



7. Das Rückhaltesystem muss so nah wie möglich mit einem Winkel von 45 Grad angebracht und gemäß der Bedienungsanleitung des Herstellers sicher befestigt werden.

8. Ohne Rücksprache mit dem Hersteller dürfen an den Befestigungspunkten des Rollstuhls oder an Bauteilen des Fahrgestells und des Rahmens keine Änderungen vorgenommen bzw. diese nicht ausgewechselt werden. Bei Nichtbeachtung dieser Vorgabe dürfen Sunrise Medical Rollstühle nicht in Fahrzeugen transportiert werden.

9. Der Benutzer muss sowohl mit dem Beckengurt als auch mit dem Schultergurt angeschnallt werden, um die Wahrscheinlichkeit eines Aufpralls von Kopf und Brust auf die Bauteile des Fahrzeugs und schwere Körperverletzungen beim Benutzer und anderen Fahrzeuginsassen zu verringern. (Fig. B) Der Schultergurt muss an der "B"-Säule des Fahrzeugs befestigt werden - bei Nichtbeachtung erhöht sich die Gefahr von schweren Bauchverletzungen für den Benutzer.

10. Eine für den Transport geeignete Kopfstütze (siehe Aufkleber an der Kopfstütze) muss eingebaut und während des Transports stets richtig angebracht sein.

11. Haltevorrichtungen (Beckenriemen, Beckengurte) dürfen bei der Fahrt nur zur Sicherung des Rollstuhlbenutzers verwendet werden, wenn auf dem Etikett angegeben ist, dass sie die Anforderungen von ISO 7176-19:2001 oder SAE J2249 erfüllen.

12. Die Sicherheit des Benutzers während des Transports hängt von der Sorgfalt ab, mit der das Rückhaltesystem befestigt wird, die Person, von der die Befestigung ausgeführt wird, sollte in der Bedienung des Systems unterwiesen bzw. geschult sein.

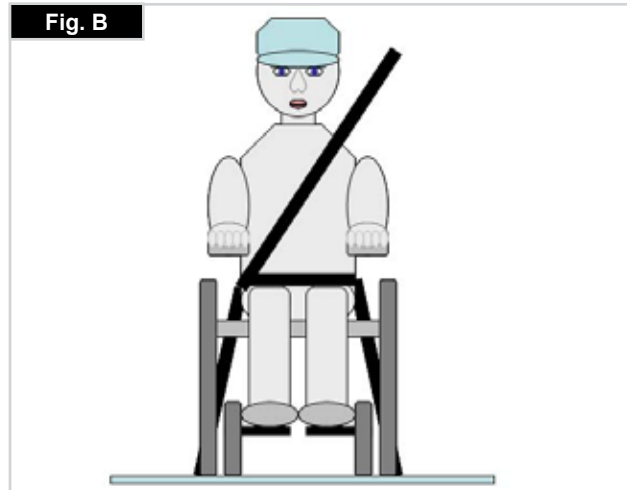
13. Soweit möglich sollten alle Hilfsmittel vom Rollstuhl abgenommen und sicher verstaut werden wie etwa: Krücken, lose Kissen und Therapietische.

14. Hochschwenkbare/höhenverstellbare Fußrasten dürfen nicht hochgestellt sein, wenn der Benutzer im Rollstuhl sitzend transportiert wird und der Rollstuhl mit einem Rückhaltesystem und Sicherheitsgurt gesichert ist.

15. Verstellbare Rücken müssen in die aufrechte Position gebracht werden.

16. Die manuelle Bremse muss fest angezogen werden.

17. Die Sicherheitsgurte müssen an der "B"-Säule des Fahrzeugs angebracht werden und dürfen nicht durch Rollstuhlteile wie Armlehnen oder Räder vom Körper ferngehalten werden.



## Transport

### ANLEITUNG FÜR DAS ANSCHNALLEN DES ROLLSTUHLBENUTZERS:

1. Der Beckengurt muss unten an der Vorderseite des Beckens getragen werden, so dass der Winkel des Beckengurts innerhalb des bevorzugten Bereichs von 30 bis 75 Grad zur Horizontalen liegt. Ein steilerer (größerer) Winkel innerhalb des bevorzugten Bereichs ist wünschenswert, d.h., näher an 75°, aber keinesfalls darüber. (Fig. C)

2. Der Schultergurt muss wie in Fig. D und E gezeigt über die Schulter und quer über die Brust passen. Sicherheitsgurte müssen so fest wie möglich sitzen ohne den Benutzerkomfort zu beeinträchtigen. Sicherheitsgurte dürfen beim Gebrauch nicht verdreht sein. Der Schultergurt muss wie in Fig. D und E gezeigt über die Schulter und quer über die Schulter passen.

3. Die Befestigungspunkte am Rollstuhl befinden sich am vorderen inneren Seitenteil des Fahrgestells direkt über dem Lenkrad und am hinteren Seitenteil des Fahrgestells. Die Gurte werden um die Seitenteile des Fahrgestells an der Stelle befestigt, an der das waagrechte und das senkrechte Rohr aufeinandertreffen. (Siehe Fig. G - K)

4. Die Position der Befestigungsgurte für den Rollstuhl ist mit dem Symbol für den Befestigungspunkt (Fig. F) markiert. Wenn die vorderen Gurte zur Befestigung des Rollstuhls angebracht sind, werden die Gurte gestrafft.

### KÖRPERGEWICHT DES BENUTZERS UNTER 22 kg (48 lb 8.0 oz)

Wenn ein Kind mit einem Körpergewicht von unter 22 kg befördert wird und weniger als acht (8) Insassen im Fahrzeug sitzen, wird empfohlen, ein Rückhaltesystem für Kinder (CRS) gemäß UNCE Regulation 44 zu verwenden.

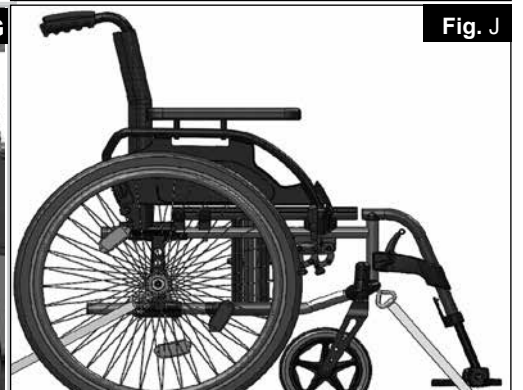
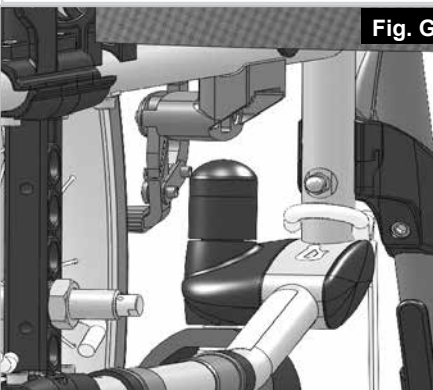
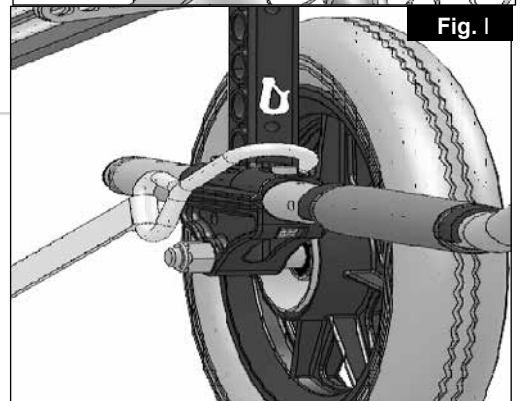
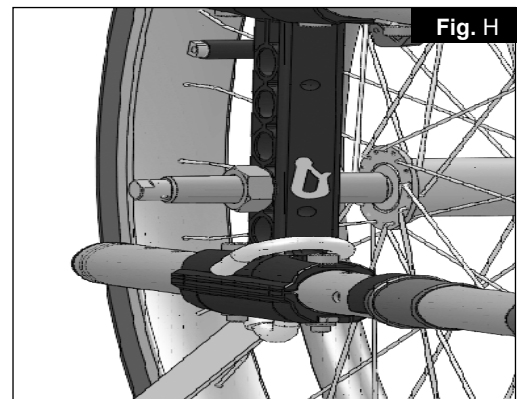
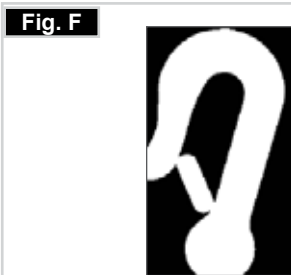
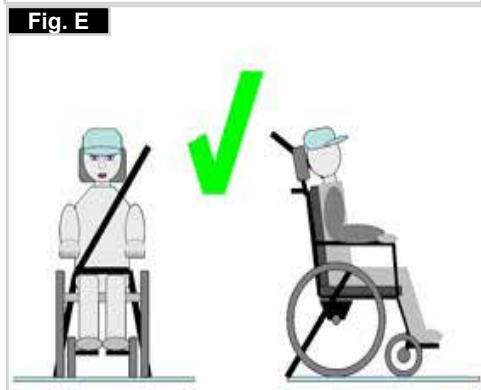
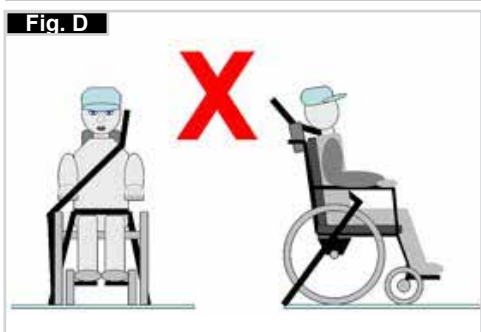
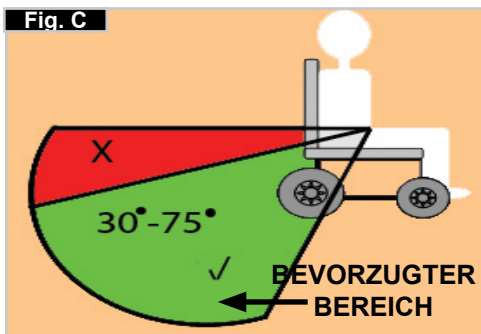
Diese Art von Rückhaltesystem bietet einen wirksameren Schutz als der normale Dreipunkt-Sicherheitsgurt in Fahrzeugen und manche Rückhaltesysteme für Kinder verfügen auch über zusätzliche Haltevorrichtungen, die dazu beitragen, die Sitzhaltung des Kindes aufrecht zu erhalten.

Eltern oder Therapeuten können unter bestimmten Umständen auch erwägen, dass ihr Kind während der Fahrt im Rollstuhl sitzen bleibt, da der Rollstuhl für eine bessere Haltungskontrolle sorgt und mehr Komfort bietet.

In diesem Fall empfehlen wir, dass Ihr Gesundheitspfleger und sachkundige Personen eine Risikoanalyse durchführen.

### LAGE DER BEFESTIGUNGSPUNKTE FÜR DAS RÜCKHALTESYSTEM AM ROLLSTUHL:

1. Lage der vorderen und hinteren Verankerungsaufkleber (Fig. G-H-I).
2. Lage der vorderen (Fig. G) und hinteren (Fig. H-I) Aufkleber mit den Befestigungspunkten für das Rückhaltesystem am Rollstuhl und des Verankerungsaufklebers.
3. Seitenansicht der Befestigungsgurte (Fig. J).



## Handhabung

### FALTEN

Entfernen Sie zuerst das Sitzkissen vom Rollstuhl, und klappen Sie die Fußplatte oder die einzelnen Fußstützen nach oben. Ergreifen Sie die Schlinge bzw. die Sitzrohre in der Mitte, von unten her, und ziehen Sie sie nach oben. Der Rollstuhl klappt sich dann zusammen. Je nach Modell können Sie die Fußstützen abmontieren, um den Rollstuhl so klein wie möglich zu falten, z.B. um ihn in einem Auto zu verstauen. Zu diesem Zweck öffnen Sie den Riegel von außen, und schwenken Sie die Fußstütze zur Seite. Danach muss die Fußstütze nur noch aus ihrem Halterohr gezogen werden (Fig. 1).



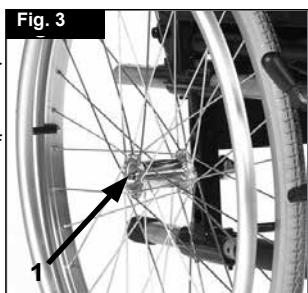
### ENTFALTEN

Drücken Sie auf die Sitzrohre (siehe Abbildung). Dadurch klappt der Rollstuhl auf. Lassen Sie dann die Sitzrohre im Sitzsattel einrasten. Es geht einfacher, wenn der Rollstuhl leicht gekippt wird, weil dadurch ein Hinterrad entlastet wird. **Achten Sie darauf, dass Sie die Finger nicht in der Kreuzstrebe einklemmen.** Bringen Sie dann den Sitz und die Rückenschale wieder an (Fig. 2).



### Steckachsen beim Antriebsrad

Die Hinterräder sind mit Steckachsen ausgestattet. Damit können die Räder ohne Werkzeug montiert und abgenommen werden. Um ein Rad abzunehmen, drücken Sie einfach auf den Schnellverschlussknopf an der Achse (1), und ziehen Sie das Rad von der Achse (Fig. 3).

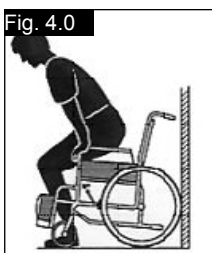


### VORSICHT:

**Halten Sie bei der Montage der Hinterräder den Schnellverschlussknopf auf der Achse niedergedrückt, wenn Sie die Achse in den Rahmen stecken. Beim Loslassen des Knopfs rastet das Rad ein, und der Schnellverschlussknopf springt in seine Ausgangsposition zurück.**

### ALLEINE IN IHREN ROLLSTUHL EINSTEIGEN (FIG. 4)

- Den Rollstuhl an eine Wand oder ein solides Möbelstück schieben;
- Die Bremse anziehen;
- Die Fußplatten nach oben klappen;
- Der Benutzer kann sich dann selbst in den Rollstuhl herablassen;
- Die Fußplatten dann nach unten klappen und die Füße vor den Fersenbändern darauf abstützen.



### ALLEINE AUS IHREM ROLLSTUHL AUSSTEIGEN (FIG. 4.1)

- Die Bremse anziehen;
- Die Fußplatten mit Gelenk nach oben klappen;
- Die Fußplatten mit Gelenk nach oben klappen; die Person leicht nach vorne beugen, um das Körpergewicht auf die Vorderkante des Sitzes zu verlagern und mit beiden Füßen fest auf dem Boden und einem Fuß hinter dem anderen in die aufrechte Position schieben.



### ⚠️ WARNUNG!

- Beim Stehen nicht auf die Fußplatten stellen, da der Rollstuhl sonst umkippt. Das Einsteigen in Ihren Rollstuhl ist einfacher und sicherer, wenn Sie die Fußplatten nach oben klappen und zur Seite schieben oder sie vom Rollstuhl abnehmen.
- Vor dem Einsteigen in den oder Aussteigen aus dem Rollstuhl immer die Radbremse anziehen.

## Optionen – Ankippbügel

### ANKIPPBÜGEL

Ankippbügel werden vom Helfer benutzt, um den Rollstuhl über ein Hindernis zu kippen. Um den Rollstuhl zum Beispiel auf einen Bordstein oder eine Stufe zu schieben, tritt man einfach mit dem Fuß auf die Stange (Fig. 5).



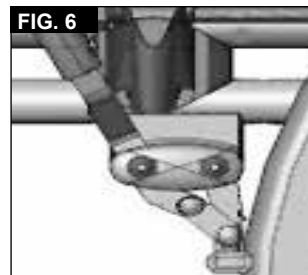
### ⚠️ VORSICHT!

Sunrise Medical empfiehlt bei Modellen mit Transitrollen dringend, einen Ankippbügel zu verwenden. Dies gilt auch für Modelle, die vorwiegend von einer Begleitperson geschoben werden, da die Rückenrohre beschädigt werden können, wenn sie zum Überwinden von Hindernissen ständig nach hinten gezogen werden.

## Optionen - Bremsen

### FESTSTELLBREMSEN

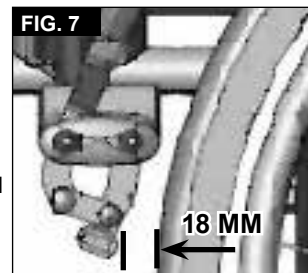
Ihr Rollstuhl ist mit zwei Feststellbremsen ausgestattet, die direkt gegen die Räder geführt werden. Um die Feststellbremsen anzuziehen, drücken Sie beide Bremshebel nach vorn, gegen den Anschlag. Zum Loslassen der Bremse ziehen Sie die Hebel zurück in ihre Ausgangsposition.



Die Bremsen sind weniger wirksam bei:

- abgefahrenem Reifenprofil
- zu niedrigem Reifendruck
- nassen Reifen
- inkorrektener Einstellung

Die Feststellbremsen sind nicht als Bremsen für den fahrenden Rollstuhl entworfen. Die Feststellbremsen dürfen daher nicht zum Abbremsen des Stuhls verwendet werden.



Benutzen Sie dazu immer die Hände.

Achten Sie darauf, dass der Abstand zwischen den Reifen und den Feststellbremsen mit den angegebenen Spezifikationen übereinstimmt. Der Abstand wird justiert, indem Sie die Schraube lockern und den richtigen Abstand einstellen. Die Schraube dann wieder anziehen (Fig. 6-7).

### ⚠️ VORSICHT!

Prüfen Sie den Abstand der Feststellbremsen nach jeder Justierung des Hinterrads und stellen Sie ihn gegebenenfalls neu ein.

Wenn die Feststellbremse zu nah am Rad montiert ist, erfordert die Betätigung einen höheren Kraftaufwand. Dadurch kann es zu Bruch des Verlängerungshebels kommen!

Wenn Sie sich beim Ein- und Aussteigen auf den Verlängerungshebel stützen, bricht der Verlängerungshebel ab! Spritzwasser von den Rädern kann zur Fehlfunktion der Feststellbremsen führen.

### TROMMELBREMSEN

Trommelbremsen stellen für den Helfer eine sichere und geeignete Bremsmethode dar.

Die Bremsen können ebenfalls mit einem Verschlusshebel (1) angeogen werden, um das Wegrollen zu verhindern.

Der Hebel muss hörbar einrasten. Die Trommelbremsen werden nicht vom Reifendruck beeinflusst (Fig. 9).



### ⚠️ WARNUNG!

Trommelbremsen dürfen nur von zugelassenen Fachhändlern justiert werden.

Betätigen Sie die 2 Bremsen immer gleichzeitig, um zu gewährleisten, dass Sie die Kontrolle über die Fahrtrichtung behalten! Trommelbremsen können nur als dynamische Bremse zum Anhalten des Rollstuhls während der Fahrt verwendet werden.

Betätigen Sie immer die Feststellbremse, um den Rollstuhl bei kurzem oder langem Anhalten oder zum Umsteigen zu sichern.

## EINHAND ANTRIEB

Ihr Rollstuhl ist mit zwei Sets Feststellbremsen ausgestattet, die entweder von der linken oder der rechten Seite aus betätigt werden, die direkt gegen die Räder geführt werden. Um die Feststellbremsen anzuziehen, drücken den Bremshebel nach vorn, gegen den Anschlag (Fig. 9). Zum Loslassen der Bremse ziehen Sie den Hebel zurück in seine Ausgangsposition.



- Die Bremsen sind weniger wirksam bei:
  - abgefahrenem Reifenprofil
  - zu niedrigem Reifendruck
  - nassen Reifen
  - inkorrektcr Einstellung



Die Feststellbremsen sind nicht als Bremsen für den fahrenden Rollstuhl entworfen. Die Feststellbremsen dürfen daher nicht zum Abbremsen des Stuhls verwendet werden. Benutzen Sie dazu immer die Hände. Achten Sie darauf, dass der Abstand zwischen den Reifen und den Feststellbremsen mit den angegebenen Spezifikationen übereinstimmt. Der Abstand wird justiert, indem Sie die Schraube lockern und den richtigen Abstand einstellen. Die Schraube dann wieder anziehen (siehe Seite "Drehmoment") (Fig. 10).

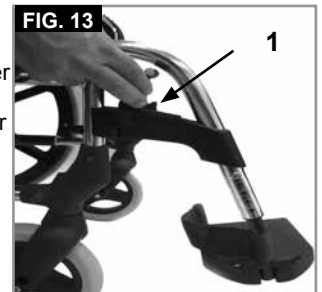
### VORSICHT:

Prüfen Sie den Abstand der Feststellbremsen nach jeder Justierung des Hinterrads und stellen Sie ihn gegebenenfalls neu ein.

Wenn die Feststellbremse zu nah am Rad montiert ist, erfordert die Betätigung einen höheren Kraftaufwand. Dadurch kann es zu Bruch des Verlängerungshebels kommen! Wenn Sie sich beim Ein- und Aussteigen auf den Verlängerungshebel stützen, bricht der Verlängerungshebel ab! Spritzwasser von den Rädern kann zur Fehlfunktion der Feststellbremsen Führen.

## BEINSTÜTZEN UND VERRIEGELUNG

Die Beinstützen können nach innen unter die Sitzfläche oder nach außen geschwenkt werden. Beim Montieren der Beinstütze müssen die Fußplatten nach innen bzw. außen zeigen. Drehen Sie dann die Beinstütze nach innen, bis sie einrastet. Zum Abmontieren ziehen Sie den Hebel (1) schwenken Sie die Fußplatte nach innen oder außen, und heben Sie die Beinstütze heraus. Achten Sie auf das korrekte Einrasten der Beinstütze, (Fig. 13).



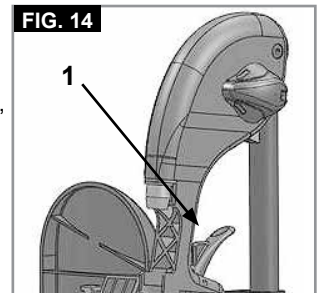
### VORSICHT!

- Der Rollstuhl darf nicht an den Beinstützen angehoben oder getragen werden.
- Benutzen Sie zum Ein- oder Aussteigen aus dem Rollstuhl nicht die Fußbretter. Sie müssen vorher hochgeklappt werden oder die Fußraste muss so weit wie möglich nach außen geschwenkt werden.

## OPTION HÖHENVERSTELLBARE FUSSRASTE

(Fig. 14-16)

Zum Abnehmen den Hebel (1) betätigen, die Fußplatte nach außen schwenken und die Fußraste herausheben.

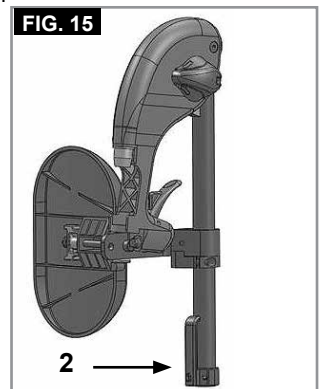


### HÖHENEINSTELLUNG:

Die Unterschenkelänge kann durch Lösen der Schraube (2) stufenlos verstellt werden. Auf eine passende Höhe einstellen und die Schraube wieder festziehen.

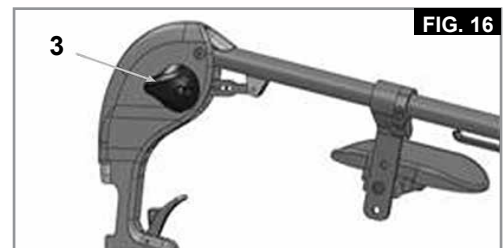
### VORSICHT!

Der Abstand zwischen der Fußplatte und dem Boden muss mindestens 25 mm betragen.



### EINSTELLEN DES WINKELS:

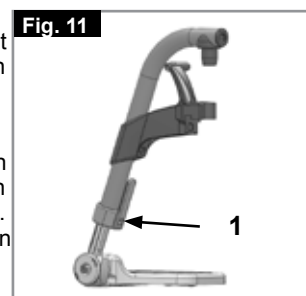
Drücken Sie den Hebel (3) mit einer Hand nach unten und halten Sie die Fußraste mit der anderen Hand fest, um sie zu entlasten. Wenn der gewünschte Winkel erreicht ist, lassen Sie den Hebel los und die Fußraste rastet in eine der voreingestellten Positionen ein.



## Optionen - Fußplatten

### FUSSPLATTEN:

Die Fußplatten können hochgeklappt werden, um das Ein- und Aussteigen zu erleichtern.



### UNTERSCHENKELLÄNGE:

Für Fahrer mit längeren Beinen kann die Beinstütze mittels der Schrauben (1) entsprechend abgesenkt werden. Lockern Sie die Schrauben, schieben Sie die Rohre auf die gewünschte Position, und ziehen Sie die Schrauben wieder fest (siehe unter Drehmoment). Die Fußplatten müssen mindestens 2,5 cm Abstand vom Boden haben, (Fig. 11).

## WINKELVERSTELLBARES FUSSBRETT

Es kann in seinem Neigungswinkel zur Ebene verstellt werden. Schraube lösen, nach innen abziehen, den gewünschten Winkel einstellen und wieder aufschieben. Die Schraube nach der Einstellung wieder festziehen.



Achten Sie darauf, dass nach den Umbauarbeiten alle Schrauben fest angezogen sind (Siehe die Seite 5 zu Drehmoment). Achten Sie darauf, dass Sie den Mindestabstand (2,5 cm) zum Boden einhalten (Fig. 12).

## VERSTELLEN DES WADENPOLSTERS

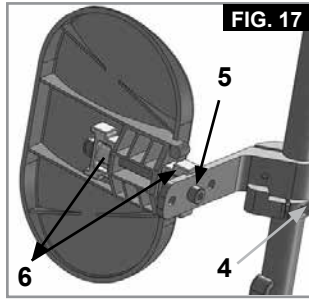
(Fig. 17).

Das Wadenpolster kann wie folgt verstellt werden:

Höhe: Lösen Sie die Schraube (4) und schieben Sie das Klemmstück auf die gewünschte Position. Durch das Drehen des Klemmstücks kann auch der Winkel verstellt werden.

Tiefe: Lösen Sie die Schraube (5) und schieben Sie das Wadenpolster in die gewünschte Position.

Breite: Lösen Sie die Schraube (5) und bringen Sie die Distanzstücke (6) so hinter dem Polster an, dass die gewünschte Position erreicht ist.



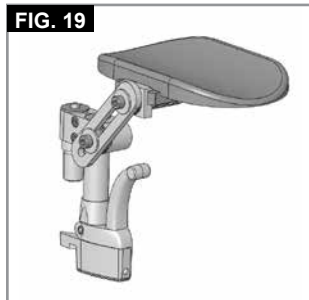
### ⚠️ WARNUNG!

- Halten Sie beim Anheben oder Absenken der Fußraste die Hände vom Verstellmechanismus zwischen dem Fahrgestell und den beweglichen Teilen der Fußraste fern.
- Achten Sie immer darauf, dass die Befestigungsteile gesichert sind.
- Die Fußrasten dürfen nicht zum Anheben oder zum Tragen des Rollstuhls verwendet werden.
- Quetschgefahr! Greifen Sie beim Verstellen der Fußraste nach oben oder unten nicht in den Verstellmechanismus zwischen den beweglichen Teilen der Fußraste.

## AMPUTATIONS AUFLAGE

(Fig. 18).

Die Amputationsauflage kann je nach Bedarf in alle Richtungen eingestellt werden.



## Optionen - Lenkräder

### LAUFRÄDER, LAUFRADPLATTEN, GABELN

Es kann vorkommen, dass der Rollstuhl einen leichten Rechts- oder Linksdrall entwickelt oder dass die Laufräder schlingern. Das kann folgende Gründe haben:

- Der Radlauf vorwärts oder rückwärts ist nicht richtig eingestellt.
- Der Laufradwinkel ist nicht richtig eingestellt.
- Der Druck im Laufrad und /oder Hinterrad ist nicht korrekt; die Räder drehen sich nicht sanft.

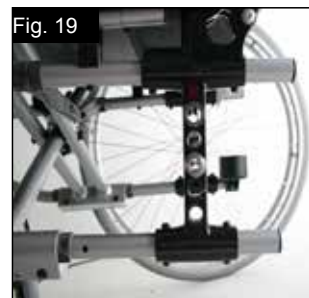
Der Rollstuhl kann nicht in einer geraden Linie fahren, wenn die Laufräder nicht richtig eingestellt sind. Die Laufräder müssen immer von einem zugelassenen Fachhändler eingestellt werden. Die Feststellbremse muss immer überprüft werden, wenn die Position des Hinterrads verstellt wurde.

## Optionen – Lenkrad-Adapter

Die Sitzhöhe wird durch die Lenk- und Antriebsradposition festgelegt. Die Sitzhöhe kann durch das Verstellen der Position der Hinterräder und Lenkräder und durch die Verwendung von Distanzbuchsen verstellt werden, (Fig. 19).

### ⚠️ VORSICHT!

Nach der SitzhöhenEinstellung, müssen alle Schrauben wieder festgezogen und die Bremse neu eingestellt werden.

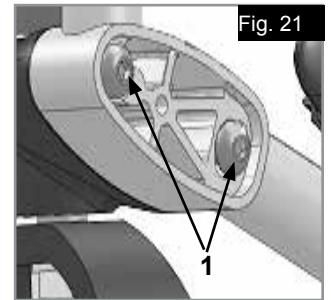
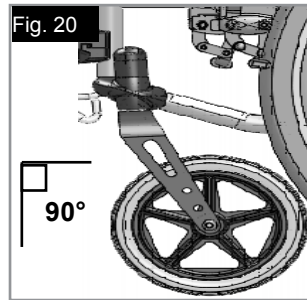


## HINWEIS:

Durch Veränderung der Lenk- /Antriebsradposition kann sich der Winkel der Lenkachse zum Boden verändern. Dieser sollte immer ca. 90° betragen.

## EINSTELLUNG LENKACHSENWINKEL:

Die Schrauben (1) lösen, Lenkradadapter nach außen ziehen, 90° Winkel einstellen und anschließend Schrauben wieder fest anziehen (Fig. 20-21).

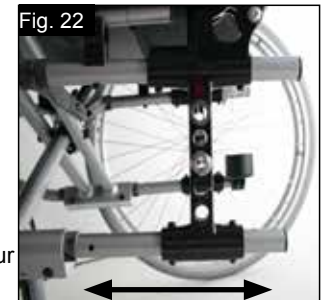


### ⚠️ VORSICHT!

Der Lenkachsenwinkel muss auf beiden Seiten gleich eingestellt werden (anhand der Markierung prüfen).

## HORIZONTALE ACHSPOSITION

Die Achsenplatte kann zur erhöhten Manövrierfähigkeit nach vorn oder zur größeren Stabilität nach hinten versetzt werden (Fig. 22).

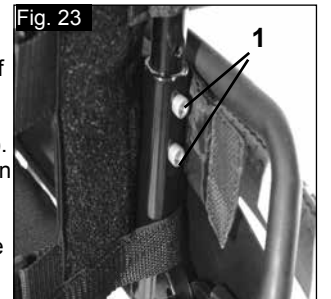


Je größer der Radstand, umso größer ist die Kippsicherheit des Rollstuhls.

## Optionen - Rücken

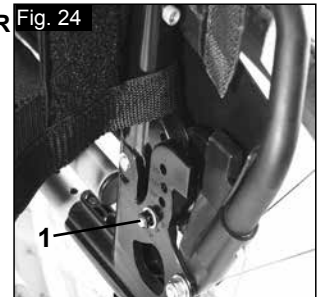
### HÖHENVERSTELLBARE RÜCKENLEHNE

Die Höhe der Rückenlehne kann auf 2 bzw. 3 (Modelabhängig) verschiedene Positionen eingestellt werden (41 cm, 43,5 cm und 46 cm). Öffnen und entfernen Sie den Bolzen (1) und schieben Sie das Rückenlehnenrohr auf die gewünschte Position. Ziehen Sie die Bolzen wieder fest (Fig. 23).



### RÜCKENWINKEL EINSTELLBAR

Der Winkel der Rückenlehne kann auf 6 verschiedene Positionen eingestellt (-5° vorwärts, 0°, 5°, 10°, 15° und 20° rückwärts). Zur Winkeleinstellung, müssen Sie die Schraube (1) entfernen, den gewünschten Winkel einstellen und die Schraube wieder anziehen (Fig. 24).



### RÜCKENWINKEL VERSTELLBAR (7° - 30°)

Indem die beiden Hebel (1) gleichzeitig gezogen werden, wird die Rückenlehne entriegelt und kann in die gewünschte Position gebracht werden.

Beim Loslassen der beiden Hebel (1) verriegelt die Rückenlehne automatisch (Fig. 25).



## **⚠ VORSICHT!**

- Es wird empfohlen, den winkelverstellbaren Rücken zusammen mit dem Verlängerungsrohr für das Antriebsrad zu verwenden.
- Es wird empfohlen, den winkelverstellbaren Rücken in Kombination mit Sicherheitsrädern (maximaler Bodenabstand 3 - 5 cm) zu verwenden.
- Es wird empfohlen, den winkelverstellbaren Rücken in Kombination mit einer Stabilisierstange zu verwenden.

## **RÜCKENLEHNE ABKLAPPBAR**

Die Rückenlehne hochklappen:  
Zum Hochklappen der Rückenlehne die Schiebegriffe nach oben und vorne schieben, bis sie einrasten, (Fig. 26).



## **⚠ WARNUNG!**

**Finger und andere Gegenstände vom Klappmechanismus fernhalten, wenn die Rückenlehne abgeklappt wird, um Verletzungen oder Sachschäden zu vermeiden.**

## **Rückenlehne abklappen:**

Die Rückenlehne kann abgeklappt werden, um den Transport des Rollstuhls zu erleichtern, (Fig. 27).



## **⚠ VORSICHT!**

**Nicht unter Belastung durchführen, da dadurch der Hebel abbrechen kann.**

Um die Rückenlehne nach vorne zu klappen, stellen Sie sich hinter den Rollstuhl und drücken Sie die zwei kleinen Hebel (Fig. 27 - 28) die sich an beiden Seiten der Rückenlehne befinden (direkt über den Armlehnen). Klappen Sie den Rücken nach vorne.

## **ANPASSBARE RÜCKENBESPANNUNG**

Die anpassbare Rückenbespannung kann an mehreren Bändern in der Spannung angepasst werden (Fig. 28).



## **⚠ VORSICHT!**

Ziehen Sie die Spanngurte nicht zu straff, damit der Klappmechanismus des Stuhls nicht behindert wird.

## **KOMFORT-RÜCKEN**

Der Komfort-Rücken ermöglicht ein bequemes Sitzen für lange Zeiträume mit seitlicher Abstützung. Zum Entfernen des Rückens, muss es hochgehoben und dann nach vorne geschoben werden. Das Kissen ist mit Klettverschluss befestigt und kann auch entfernt werden. Der Überzug kann gewaschen werden. (Fig. 29)



## **RUMPFUNTERSTÜTZUNG**

Die Rumpfunterstützung ist winkel-, tiefen- und höhenverstellbar. Zum Abschwenken, muss sie hochgehoben werden.

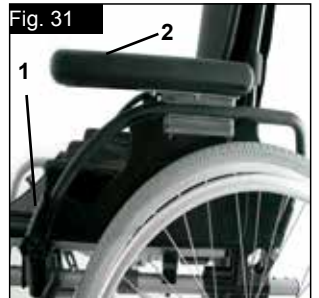
- Einstellen der Tiefe: Entfernen Sie die 2 Schrauben und die Rumpfunterstützung in der neuen Position einlegen. Die Schrauben dann wieder anziehen.
- Einstellen des Winkels: Drehen Sie die Schraube los, stellen Sie die Rumpfunterstützung auf den gewünschten Winkel ein und die Schraube wieder festziehen. (Fig. 30)
- Höheneinstellung: Die Befestigungsschrauben der Aufnahme abnehmen und die Aufnahme in der gewünschten Position bringen. Die Schrauben dann wieder anziehen.



## **Optionen – Seitenteil**

### **STANDARD SEITENTEIL, SEITENTEIL, HOCHSCHWENKBAR, ABNEHMBAR MIT KURZER / LANGER ARMAUFLAGE, HÖHENVERSTELLBAR MIT KURZER/LANGER ARMAUFLAGE**

Das nach vorne abgerundete Seitenteil ermöglicht Ihnen, nahe an einen Tisch heranzufahren. Zum Hochschwenken drücken Sie den Hebel (1), damit das Seitenteil entriegelt wird (Fig. 31 und 32).



Die Höhe der Armauflage (2) kann durch unterschiedlichen Einbau der Abstandshalter eingestellt werden. Hierzu sind die Schrauben zu lösen, die Abstandshalter umzustecken und die Schrauben wieder fest anzuziehen. Die Länge der Armlehne kann verstellbar werden, dazu die Schrauben (3) lösen, dann die Armlehne auf die gewünschte Position schieben und die Schrauben wieder festziehen (Fig. 33).



## **⚠ VORSICHT:**

- Die Seitenteile, wie deren Armlehnen sind zum Anheben oder Tragen des Rollstuhles nicht geeignet.
- Achten Sie bei der Höhenverstellung des Armpolsters auf Ihre Finger.

### **SEITENTEIL, HOCHSCHWENKBAR, ABNEHMBAR MIT KURZER / LANGER ARMAUFLAGE, HÖHENVERSTELLBAR**

Die Armauflage kann folgendermaßen in der Höhe verstellbar werden. Bewegen Sie den Hebel nach unten und verstellen Sie die Armauflage auf die gewünschte Höhe.

Lassen Sie den Hebel los und drücken Sie die Armauflage nach unten, bis sie hörbar einrastet. Kontrollieren Sie immer, dass die Seitenteile richtig eingerastet sind



Zum Hochschwenken drücken Sie den Hebel (1), damit das Seitenteil entriegelt wird.

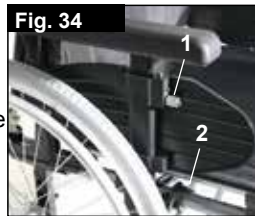
Die Länge der Armauflage kann eingestellt werden, indem Sie die Schrauben (2) lösen, die Armauflage in die entsprechende Position schieben und die Schrauben wieder anziehen (Fig. 33).

## **⚠ VORSICHT:**

- Die Seitenteile, wie deren Armlehnen sind zum Anheben oder Tragen des Rollstuhles nicht geeignet.
- Bei Verwendung von 24" Antriebsrad muss das Armpolster eine Stufe nach oben versetzt werden.

## HÖHENVERSTELLBARE ARMAUFLAGE

Zum Verstellen der Höhe, ziehen Sie den Hebel (1) und schieben Sie die Armauflage auf die gewünschte Höhe. Achten Sie dann darauf, dass der Hebel (1) wieder einrastet. Das Abnehmen der Armauflage erfolgt auf die gleiche Art.



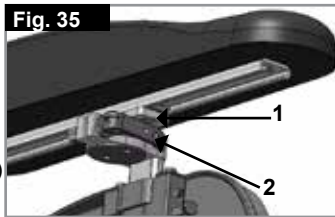
Um das Seitenteil ganz abzunehmen, betätigen Sie den Hebel (2). Zum Anbringen des Seitenteils muss der Hebel (2) ebenfalls betätigt werden.

**Achten Sie immer darauf, dass das Seitenteil richtig in die Aufnahme einrastet.** (Fig. 34)

## Optionen – Hemi-Armauflage

### HEMI-ARMAUFLAGE

Die Hemi Armauflage ist längen- und winkelverstellbar. Die Länge kann über das Verschieben der Armauflage nach Lösen der 2 Drehschrauben (1) eingestellt werden. Zur Winkeleinstellung, öffnen Sie den Verschlusshebel (2) und die Armauflage auf die gewünschte Position drehen, dann den Hebel wieder anziehen (Fig. 35).



## Optionen - Sicherheitsräder

### SICHERHEITSRÄDER

Sicherheitsräder verschaffen unerfahrenen Rollstuhlbenutzern zusätzliche Sicherheit, wenn sie den Umgang mit dem Rollstuhl erlernen. Sie hindern den Rollstuhl daran, nach hinten zu kippen. Das Sicherheitsrad in das Rahmenrohr einstecken, bis der erste der zwei Verschlussknöpfe in das erste Loch am Rahmenrohr einrastet, (Fig. 36).



### ⚠️ WARNUNG!

Bei falscher Einstellung der Sicherheitsräder kann der Rollstuhl nach hinten kippen. Beim Hinauffahren auf oder Herunterfahren von größeren Hindernissen (wie etwa Bordsteine) müssen Sie die Sicherheitsräder nach oben schwenken, damit sie den Boden nicht berühren, und sie dann in ihre normale Position zurückschwenken.

**HINWEIS:** Stecken Sie nicht beide Knöpfe des Sicherheitsrads in das Rahmenrohr ein, da die Sicherheitsräder dadurch beschädigt und ihre Wirksamkeit verloren gehen könnte. Durch Druck auf den Verschlussknopf können die Sicherheitsräder nach oben gestellt oder entfernt werden. Zwischen Rohr und Boden muss ein Abstand von 3 cm bis 5 cm verbleiben. Wenn Sie ein größeres Hindernis überwinden (z.B. einen Bordstein befahren), müssen die Sicherheitsräder nach oben gedreht werden, damit sie den Boden nicht berühren. Drehen Sie die Sicherheitsräder anschließend wieder auf die normal vorgesehene Stellung herunter (Fig. 36).

### ⚠️ WARNUNG!

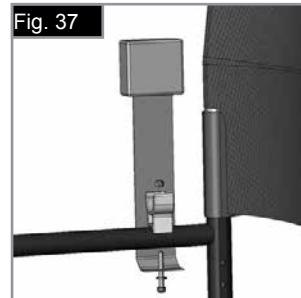
Bei falscher Einstellung der Sicherheitsräder kann der Rollstuhl nach hinten kippen.

## Optionen – Beckengurt




### ⚠️ WARNUNG!

Vor der Benutzung des Rollstuhls sicherstellen, dass der Sicherheitsgurt angelegt und richtig eingestellt ist.

Der Beckengurt ist wie abgebildet am Rollstuhl angebracht. Der Gurt besteht aus 2 Hälften. Diese werden mit der Befestigungsschraube für die Haltestange befestigt, die durch die Öse am Gurt gesteckt wird. Der Gurt wird unter der Rückseite des Seitenteils entlang geführt. (Fig. 37) Bringen Sie den Gurt so an, dass sich die Schnallen in der Mitte des Sitzes befinden. (Fig. 38)



Passen Sie den Beckengurt wie folgt an den Benutzer an:

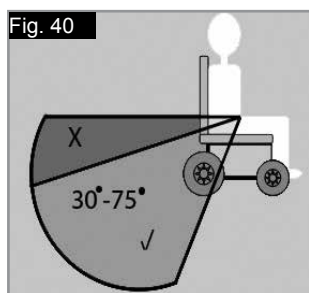
Gurt länger machen	Gurt kürzer machen	✔
 Ausführung B	 Ausführung B	 Ausführung B
Um den Gurt länger zu machen, übrige Gurtlänge durch die Schlaufen und den Einsteckteil des Steckverschlusses fädeln.	Übrige Gurtlänge durch den Einsteckteil des Steckverschlusses und die Schlaufe zurück fädeln.	Darauf achten, dass der Gurt am Einsteckteil des Steckverschlusses keine Schlinge aufweist.



## Optionen – Beckengurt

Nach dem Ansnallen den Abstand zwischen dem Gurt und dem Benutzer prüfen. Bei richtiger Einstellung passt noch eine Handfläche zwischen den Gurt und den Benutzer. (Fig. 39)

Normalerweise sollte der Beckengurt so angebracht werden, dass sich die Gurte in einem Winkel von ca. 45° befinden; wenn er richtig eingestellt ist, darf der Benutzer im Sitz nicht nach unten rutschen. (Fig. 40)



	
<p><b>Zum Ansnallen:</b> Das Einsteckteil des Steckverschlusses fest in das Gurtschloss stecken.</p>	<p><b>Zum Öffnen:</b> Die sichtbaren Teile des Einsteckteils des Steckverschlusses gleichzeitig zusammendrücken und zur Mitte schieben oder die Lösetaste am Gurtschloss drücken und vorsichtig auseinanderziehen.</p>

## HINWEISE FÜR DEN PATIENTEN

### ⚠ GEFAHR!

- Wenn Rollstuhl und Benutzer in einem Fahrzeug transportiert werden, verlassen Sie sich nicht nur auf den Beckengurt, benutzen Sie die separaten Beckengurte und diagonalen Schultergurte im Fahrzeug.
- Wir empfehlen, den Beckengurt vor der Benutzung darauf zu überprüfen, dass er richtig eingestellt ist und keine Behinderung oder übermäßige Abnutzung vorliegt und der Steckverschluss sicher im Gurtschloss einrastet.
- Wenn vor der Fahrt nicht überprüft wird, dass der Beckengurt gesichert und richtig eingestellt ist, könnte das schwere Körperverletzungen des Benutzers verursachen. Wenn z.B. der Gurt zu locker sitzt, kann der Benutzer im Rollstuhl nach unten rutschen und es besteht Erstickungsgefahr.

## WARTUNG:

Prüfen Sie den Beckengurt und die Befestigungsteile in regelmäßigen Abständen auf Verschleißanzeichen oder Schäden. Je nach Bedarf muss er ausgetauscht werden. Den Beckengurt mit warmem Seifenwasser abwaschen und trocknen lassen.

### ⚠ GEFAHR!

Der Beckengurt muss wie oben beschrieben passend für den Fahrer eingestellt werden. Sunrise Medical empfiehlt auch, die Länge und Passform des Gurts regelmäßig zu überprüfen, um die Gefahr zu verringern, dass der Fahrer den Gurt aus Versehen zu lang einstellt. Wenn Sie Fragen zur Benutzung und Bedienung des Beckengurts haben, wenden Sie sich an Ihren, Rollstuhlhändler, Pfleger oder an Ihre Begleitperson.

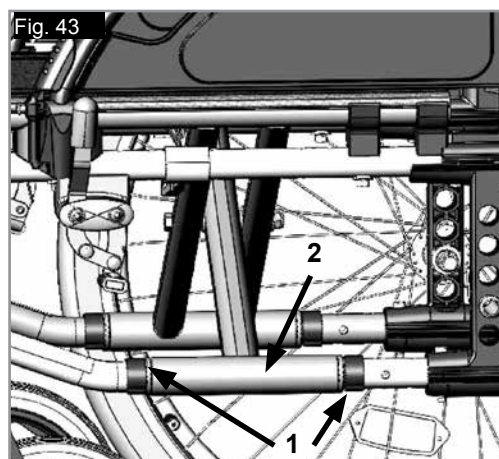
## Optionen - Sitztiefe

### SITZTIEFE

Durch Entfernen der Klips (1) kann die Kreuzstreben-Einheit (2) den Rahmen entlang geschoben werden, wodurch die Sitztiefe geändert wird (je nach der Position der Rückenrohre). Dieser Umbau darf nur von einem autorisierten Fachhändler durchgeführt werden.

Vergewissern Sie sich, dass die Clips (1) in die vorgesehenen Löcher am Rahmen einschnappen.

Um den Rahmen so kompakt wie möglich zu halten, kann die Sitztiefe auch mittels der Rückenrohre (41-51 cm in Stufen von 2,5 cm) eingestellt werden. Entfernen Sie dazu die Schrauben (1 und 2) an dem Rückenrohrhalter. Entfernen Sie die Räder und die Armlehnen, und prüfen Sie, ob die Kreuzstrebe in der gewünschten Position ist (verschieben Sie die Kreuzstrebe wie oben beschrieben). Bringen Sie die Rückenrohre in die gewünschte Position. Bringen Sie die Schrauben wieder an. Bringen Sie dann das Aufnahmerohr für die Armlehne in die gewünschte Position (Fig. 43).



## Optionen - Schiebegriffe

### HÖHENVERSTELLBARE SCHIEBEGRIFFE

Die Schiebegriffe sind mit Stiften gesichert, damit sie nicht herausrutschen können. Sie können die Schiebegriffe durch Öffnen des Entriegelungshebels (1) auf eine für Sie geeignete Höhe verstellen. Ziehen Sie den Entriegelungshebel (1) nach jeder Höhenverstellung der Schiebegriffe wieder fest. (Fig. 44).



#### **⚠ VORSICHT:**

Wenn der Hebel nicht fest sitzt, könnten Sie sich beim Befahren von Stufen verletzen.

## Optionen – Stockhalter

### STOCKHALTER

Mit dieser Vorrichtung können Gehhilfen direkt am Rollstuhl transportiert werden. Mit einer Klettschleife können Gehhilfen und andere Hilfsmittel befestigt werden (Fig. 45).



#### **⚠ VORSICHT:**

Versuchen Sie niemals während der Fahrt die Gehhilfen oder andere Hilfsmittel aus dem Halter zu nehmen.

## Optionen - Therapietisch

### THERAPIETISCH

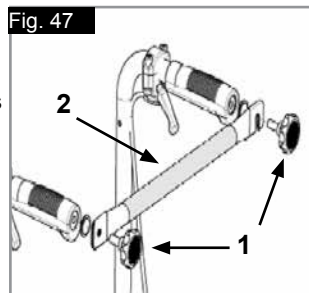
Der Therapietisch bietet eine Arbeitsfläche für die meisten Aktivitäten. Das Tablett muss vor der Benutzung von einem zugelassenen Fachhändler auf die jeweilige Sitzbreite eingestellt werden. Bei dieser Einstellung muss der Fahrer im Rollstuhl sitzen (Fig. 46).



## Optionen - Stabilisierungstange

### STABILISIERUNGSSTANGE (WINKELEINSTELLBARER RÜCKEN)

Schrauben Sie den Sterngriff (1) auf und schwenken Sie die Stabilisierungsstange (2) zur Seite, bevor Sie den Rollstuhl falten. Zum Wiederaufbau des Rollstuhls den Vorgang in der umgekehrten Reihenfolge ausführen, (Fig. 47).

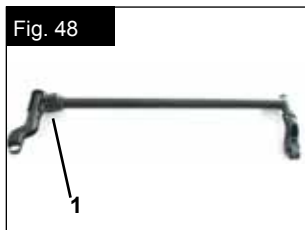


#### **⚠ GEFAHR!**

- Stellen Sie vor der Benutzung des Rollstuhls sicher, dass die Stabilisierungsstange und die Sterngriffe angebracht und richtig befestigt sind.
- Heben Sie den Rollstuhl keinesfalls an der Stabilisierungsstange an!

### ABSCHWENKBARE STABILISIERUNGSSTANGE

Mit dieser Stange wird die Rückenlehne stabilisiert. Um den Rollstuhl falten zu können, muss der Entriegelungshebel (1), nach innen geschoben und die Stabilisierungsstange nach unten weggeschwenkt werden. Beim Entfalten des Rollstuhls, achten Sie bitte darauf dass die Stabilisierungsstange richtig einrastet (Fig. 48).



## FALTBARE STABILISIERUNGSTANGE

Mit dieser Stange wird die Rückenlehne stabilisiert. Zum Zusammenklappen des Rollstuhls, muss die Stabilisierungsstange in der Mitte nach unten geschoben werden (1). Zum Entfalten des Rollstuhls, muss der Tragegriff (2) nach oben gezogen werden, (Fig. 49).



## Optionen - Kopfstütze

### KOPFSTÜTZE

Die Kopfstütze kann erhöht und sowohl nach vorn als auch nach hinten verstellt werden. Lösen Sie dazu die Schraube, bringen die Kopfstütze in die gewünschte Position und ziehen die Schraube wieder fest (siehe unter Drehmoment) (Fig. 50).



### KOMFORT KOPFSTÜTZE

Zum Verstellen der Höhe, schrauben Sie den Knopf auf und stellen Sie die Kopfstütze auf die gewünschte Höhe ein. Den Knopf dann wieder anziehen, (Fig. 51).



## Optionen - Transitrollen

### TRANSITROLLEN

Transitrollen sollten immer dann benutzt werden, wenn der Rollstuhl mit den Hinterrädern zu breit wäre (z.B. im Flugzeug, Bus usw.) Nachdem die Hinterräder mit Hilfe der Schnellverschlussachsen abmontiert wurden, können Sie den Stuhl sofort mit den Transitrollen fahren. Die Transitrollen sind so montiert, dass sie sich etwa 3 cm über dem Boden befinden, wenn sie nicht benutzt werden. Sie stören also nicht bei der Fahrt, auf dem Transport oder beim Kippen über Hindernisse (z.B. Bordsteine, Stufen usw.) (Fig. 52).



#### **⚠ VORSICHT:**

Wenn der Rollstuhl mit den Transitrollen fährt, besitzt er keine Feststellbremsen.

## Optionen - Einhand Antrieb

### EINHAND ANTRIEB

Um den Rollstuhl geradeaus zu fahren, müssen beide Handräder angetrieben werden. Wenn der Rollstuhl gefaltet werden soll, entfernen Sie die ausziehbare Stange, indem Sie sie nach innen schieben (Fig. 53).



#### **⚠ VORSICHT:**

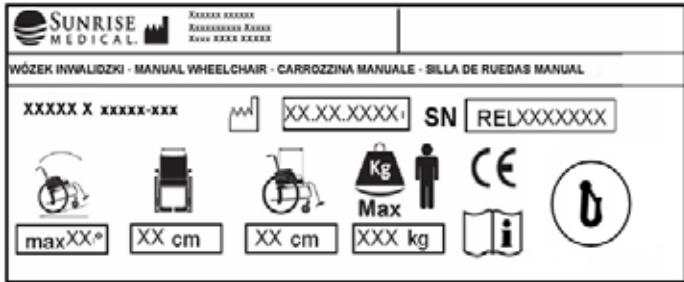
Um Verletzungen zu vermeiden, achten Sie immer darauf, dass alle Verbindungen korrekt sitzen.

## Typenschild

### Typenschild

Das Namensschild befindet sich entweder unter der Kreuzstrebenheit oder am diagonalen Rahmenrohr, auch auf dem Benutzerhandbuch befindet sich ein entsprechendes Etikett. Auf dem Namensschild sind das exakte Modell und andere technische Daten angegeben. Wenn Sie ein Ersatzteil bestellen oder einen Anspruch geltend machen, halten Sie bitte folgende

**MUSTER**



**RubiX<sup>2</sup>**  
XXXXX-XXX

Produktbezeichnung/Artikelnummer



Maximale Steigung bzw. maximales Gefälle, das mit den Sicherheitsrädern befahren werden kann, hängt von den Einstellungen des Rollstuhls, der Haltung und den physischen Fähigkeiten des Benutzers ab.



Sitzbreite



Tiefe (maximal).



Maximale Zuladung.



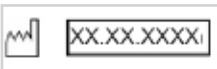
CE-Kennzeichnung.



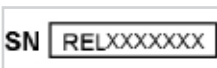
Gebrauchsanleitung



Crash-geprüft



Herstellungsdatum.



Seriennummer

Angaben bereit:

Da wir uns der kontinuierlichen Verbesserung der Konstruktion unserer Rollstühle verschrieben haben, können die technischen Daten etwas von den dargestellten Beispielen abweichen. Bei allen Angaben zu Gewichten/Abmessungen und Leistung handelt es sich um annähernde Werte und sie sind ausschließlich zur Information gedacht.

Sunrise Medical ist mit der Richtlinie 93/42/EWG für Medizinprodukte konform



Alle Rollstühle müssen gemäß den Leitlinien des Herstellers benutzt werden.

Sunrise Medical Poland  
Sp. z o.o.ul. Elektronowa 6,  
94-103 Łódź  
Polska  
Telefon: + 48 42 275 83 38  
Fax: + 48 42 209 35 23  
E-mail:  
pl@sunrisemedical.de  
Sunrise-Medical.pl

## Reifen und Montage

### REIFEN UND MONTAGE

Vollgummireifen sind Standard.

Mit Luftreifen stellen Sie immer sicher, dass die Reifen den korrekten Luftdruck haben, da sonst die Leistung des Rollstuhls beeinträchtigt werden kann. Wenn der Druck zu niedrig ist, erhöht sich die Reibung beim Fahren, und der Antrieb erfordert größeren Kraftaufwand. Auch die Manövrierfähigkeit wird von einem zu niedrigen Reifendruck beeinträchtigt. Wenn der Druck zu hoch ist, kann der Reifen platzen. Auf der Reifenoberfläche ist jeweils der korrekte Luftdruck angegeben.

Die Reifen werden wie gewöhnliche Fahrradreifen montiert. Bevor Sie den inneren Schlauch einlegen, achten Sie darauf, dass die Felge und die Innenseite des Reifens von Schmutzpartikeln frei sind. Nach der Montage oder Reparatur des Reifens, muss der Luftdruck geprüft werden. Für Ihre eigene Sicherheit und für die optimale Leistung des Stuhls ist es äußerst wichtig, dass sich die Reifen in gutem Zustand befinden und den vorgeschriebenen Druck aufweisen.

### Wartung und Pflege

#### SICHERHEITSPRÜFUNG:

Als Benutzer bemerken Sie mögliche Schäden als Erster/Erste. Wir empfehlen daher, dass Sie vor jeder Benutzung folgendes überprüfen:

dass der Reifendruck stimmt  
dass die Bremsen richtig funktionieren  
ob alle abnehmbaren Teile sicher befestigt sind, (z.B. Armlehnen, Fußrasten, Steckachsen usw).  
Wenn Sie einen Schaden/Defekt feststellen, wenden Sie sich an Ihren autorisierten Fachhändler.

#### WARTUNG:

Überprüfen Sie den Reifendruck regelmäßig.  
Überprüfen Sie alle Reifen regelmäßig auf Abnutzung und Schäden, mindestens aber einmal im Jahr. Wechseln Sie die Bereifung, sobald Sie Anzeichen von Schäden oder Abnutzung feststellen.  
Überprüfen Sie den Sitz und die Rückenbespannung regelmäßig auf Abnutzung, mindestens aber einmal im Jahr. Wechseln Sie diese Teile aus, sobald Sie Anzeichen von Schäden oder Abnutzung feststellen.  
Überprüfen Sie alle Bauteile von Rahmen und Rücken regelmäßig auf Abnutzung, mindestens aber einmal im Jahr. Wechseln Sie diese Teile aus, sobald Sie Anzeichen von Schäden oder Abnutzung feststellen.  
Überprüfen Sie die Bremse regelmäßig auf Abnutzung und Schäden, mindestens aber einmal im Jahr. Überprüfen Sie, dass sie richtig funktioniert und einfach zu bedienen ist. Wechseln Sie die Bremse aus, sobald Sie Anzeichen von Schäden oder Abnutzung feststellen.  
Überprüfen Sie regelmäßig, dass alle Schrauben fest sitzen (siehe dazu den Abschnitt zum Drehmoment), mindestens aber einmal im Jahr. Alle Schrauben, die für die sichere Benutzung des Rollstuhls kritisch sind, verfügen über selbstsichernde Muttern. Selbstsichernde Muttern sollten nur einmal verwendet und dann ausgewechselt werden.

**HINWEIS:** Wenn ein Drehmoment angegeben ist, empfehlen wir dringend, einen Drehmomentmesser zu verwenden, damit Sie überprüfen können, ob Sie alles auf das richtige Drehmoment angezogen haben.  
Verwenden Sie nur milde Reinigungsmittel, wenn der Rollstuhl schmutzig ist. Zum Reinigen der Sitzpolsterung und Beckengurt nur Wasser und Seife benutzen.  
Je nach der Häufigkeit und Art der Benutzung empfehlen wir, den Rollstuhl regelmäßig, aber mindestens einmal im Jahr vom Fachpersonal eines autorisierten Fachhändlers warten zu lassen.

**⚠ VORSICHT!**

Sand, Salz und Meerwasser können die Lager an den Vorder- und Hinterrädern beschädigen. Reinigen und trocknen Sie den Rollstuhl sorgfältig ab, wenn er diesen Bedingungen ausgesetzt wurde.

**HYGIENE BEI WIEDEREINSATZ:**

Im Falle eines Wiedereinsatzes sollte dieser Rollstuhl durch eine sorgfältige Wisch- und Sprühdesinfektion aller Flächen, die potentiell mit dem Benutzer in Kontakt kommen können, hygienisch aufbereitet werden.

Wenn das schnell durchgeführt werden muss, verwenden Sie ein flüssiges Desinfektionsmittel auf Alkoholbasis, das für medizinische Produkte und Geräte geeignet ist.  
Bitte beachten Sie die Gebrauchsanweisung des Herstellers für das Desinfektionsmittel, das Sie benutzen.

**Fehlersuche****Rollstuhl hat Drall nach einer Seite**

- Reifendruck prüfen
- Prüfen, ob sich das Rad reibungslos dreht (Lager, Achse)
- Winkel der Lenkräder überprüfen.
- Prüfen, ob beide Lenkräder den richtigen Bodenkontakt haben

**Lenkräder beginnen zu flattern**

- Winkel der Lenkräder überprüfen.
- Prüfen, ob alle Bolzen fest sitzen; wenn nötig nachziehen (siehe unter Drehmoment)
- Prüfen, ob beide Lenkräder den richtigen Bodenkontakt haben

**Rollstuhl quietscht und klappert**

- Prüfen, ob alle Bolzen fest sitzen; wenn nötig nachziehen (siehe unter Drehmoment)
- Etwas Schmieröl auf die Stellen träufeln, wo bewegliche Teile miteinander in Kontakt kommen

**Rollstuhl fängt an, zu schlingern**

- Den Winkel der Laufradbefestigung prüfen.
- Reifendruck prüfen
- Prüfen, ob die Hinterräder vielleicht unterschiedlich eingestellt sind

**Entsorgung / Recycling von Materialien**

**HINWEIS:** Wenn Ihnen der Rollstuhl kostenlos zur Verfügung gestellt wurde, gehört er Ihnen evtl. nicht. Wenn er nicht mehr benötigt wird, befolgen Sie die Anweisungen der Organisation, die den Rollstuhl zur Verfügung gestellt hat, um ihn zurückzugeben.

Im Folgenden werden die Materialien beschrieben, die für den Rollstuhl verwendet wurden im Hinblick auf die Entsorgung oder das Recycling des Rollstuhls und dessen Verpackung.

Besondere Vorschriften bezüglich der Entsorgung oder dem Recycling können vor Ort gelten und diese müssen bei der Veranlassung der Entsorgung berücksichtigt werden. (Dazu gehören etwa die Reinigung oder Dekontaminierung des Rollstuhls vor der Entsorgung.)

**Aluminium:** Lenkradgabeln, Räder, Seitenteile des Fahrgestells, Armlehnen, Rahmen, Fußraste, Schiebegriffe

**Stahl:** Befestigungsteile, QR Achse

**Kunststoff:** Handgriffe, Rohrstopfen, Lenkräder, Fußplatten, Armpolster und 12" Rad/Reifen

**Verpackung:** Plastiktüte aus Polyethylen weich, Karton

**Polsterung:** Polyestergerewebe mit PVC-Beschichtung und schwer entflammbarem Schaumstoff.

Die Entsorgung oder das Recycling sollte über eine Entsorgungsfirma oder eine öffentliche Entsorgungsstelle erfolgen. Sie können Ihren Rollstuhl zur Entsorgung auch an Ihren Fachhändler zurückgeben.

**Technische Daten >>>****Gesamtbreite:**

- Mit Standardrädern inkl. Greifreifen, Anbau eng:  
RubiX<sup>2</sup>: SB +19 cm
- Mit Trommelbremsen inkl. Greifreifen, Anbau eng:  
RubiX<sup>2</sup>: SB +21 cm

**Faltmaß:**

- Mit Standardrädern:  
RubiX<sup>2</sup>: 30 cm
- Ohne Standardräder:  
RubiX<sup>2</sup>: 24 cm

**Maximale Zuladung:**

- RubiX<sup>2</sup> bis 125 kg Zuladung
- Verstärkte Ausführung RubiX<sup>2</sup> XL bis 170 kg Zuladung

**Gewichte in kg:**

- Transport (ohne Fußraste, Räder, Seitenteil) 8,4 kg
- Transport RubiX<sup>2</sup> XL, (ohne Fußraste, Räder, Seitenteil): 11,4 kg
- Fußraste (St.): 0,8 kg
- Standard-Seitenteil (St.): 0,8 kg
- Antriebsräder 24" (pannensicher) (paar): 3,8 kg

Höchstgewicht des Benutzers (Gewicht der Testpuppe): 125 kg, (XL= 170kg)

**SIEHE AUCH SEITE 4**

Nach EN12183: 2009 sind alle aufgeführten Teile (Sitz- und Rückenbespannung, Armpolster, Seitenverkleidung...) schwer entflammbar gemäß EN1021-2.

Die dynamische Stabilität an Gefällen hängt von der Konfiguration des Rollstuhls, den Fertigkeiten und dem Fahrstil des Benutzers ab. Da die Fertigkeiten des Benutzers und der Fahrstil nicht vorherbestimmt werden können, kann der Höchstwert für das sichere Gefälle nicht bestimmt werden. Dieser muss vom Benutzer mit Hilfe einer Begleitperson ermittelt werden, um das Umkippen zu verhindern. Für unerfahrene Benutzer wird der Einbau von Sicherheitsrädern dringend empfohlen.

Der Rollstuhl stimmt mit den folgenden Standards überein:

- Anforderungen und Testmethoden für statische, Auswirkungs- und Ermüdungsstärke (ISO 7176-8)
- Anforderungen für Brandverhalten gemäß ISO 7176-16 (EN 1021-1)



**Zum anheben oder tragen des Rollstuhls (ohne Anbauteile) das vordere Rahmen- und das Rückenrohr greifen.**

**Drehmoment**

Wenn nicht anders angegeben, beträgt das Drehmoment für M6 Schrauben 7 Nm.  
Siehe Seite 5 für weitere Informationen

**Sitzhöhenverstellung**

Siehe die Tabelle auf Seite 5.

## Avant-propos

Chère cliente, cher client,

Vous avez choisi un produit de SUNRISE MEDICAL de grande qualité. Nous nous en réjouissons.

Ce manuel d'utilisation vous fournira de nombreux conseils et suggestions de sorte que votre produit deviendra pour vous un partenaire familier digne de confiance.

Notre objectif est que vous soyez satisfait de nos services. Sunrise Medical s'attache à améliorer en permanence ses produits. Ainsi, des modifications quant à la forme, à la technique et à l'équipement peuvent être apportées à notre gamme de produits. Aucune réclamation ne pourra donc être adressée au sujet des informations et illustrations de ce manuel d'utilisation.

Le système de gestion de SUNRISE MEDICAL est certifié ISO 9001, ISO 13485 et ISO 14001.



En sa qualité de fabricant, SUNRISE MEDICAL, déclare que les fauteuils sont conformes à la directive 93/42/CEE telle que modifiée par 2007/47/CEE.

En outre, ils répondent aux exigences de performance requises pour les « essais de collision », conformément à la norme ISO 7176-19.

Adressez-vous à notre service après-vente SUNRISE MEDICAL, compétent et agréé, pour toute question concernant l'utilisation, la maintenance ou la sécurité de votre fauteuil roulant.

En l'absence de revendeur près de chez vous ou si vous avez des questions, contactez-nous par courrier ou par téléphone (vous trouverez nos coordonnées au dos du manuel).

Sunrise Medical S.A.S  
ZAC de la Vrillonnerie  
17 Rue Mickaël Faraday  
37170 Chambray-Lès-Tours  
Tel : + 33 (0) 247554400  
Fax : +30 (0) 247554403  
www.sunrisemedical.fr

Il vous est conseillé de noter dans l'encadré ci-dessous les coordonnées de votre service après-vente.

En cas de panne, contactez-le en lui donnant autant d'informations que possible sur la nature de la panne de sorte qu'il puisse vous aider efficacement et rapidement.



**IMPORTANT :**  
N'UTILISEZ PAS VOTRE FAUTEUIL AVANT D'AVOIR LU ET COMPRIS LES INFORMATIONS CONTENUES DANS CE MANUEL.

## Symbole légende



### DANGER !

Messages d'avertissement sur des risques pouvant entraîner un accident grave, voire mortel.



### AVERTISSEMENT !

Messages d'avertissement sur des risques pouvant entraîner des blessures.



### ATTENTION !

Messages d'avertissement sur les risques d'endommagement du matériel.

### REMARQUE :

Informations sur l'utilisation appropriée du matériel.

## Sommaire

Avant-propos	37
Symbole légende	37
Sommaire	37
Utilisation	37
Champ d'application	37
Consignes de sécurité et de conduite	38
Garantie	39
Transportabilité	40
Manipulation	42
Options – Leviers de basculement	42
Options - Freins	42
Options - Palettes	43
Options - Palettes	43
Options – Roues avant	44
Options - Adaptateur de roues avant	44
Options - Dossier	44
Options – Protège-vêtement	45
Options – Accoudoirs pour hémiparétique	46
Options - Roulettes anti-bascule	46
Options – Ceinture sous-abdominale	46
Options – Profondeur du siège	47
Options – Poignées de poussée	48
Options – Porte-canne	48
Options - Tablette thérapeutique	48
Options - Barre de stabilisation	48
Options – Appui-tête	48
Options – Roulettes de transit	48
Options – Conduite d'une seule main	48
Plaque signalétique	49
Pneus et montage des pneus	49
Maintenance et entretien	49
Dépannage	50
Mise au rebut / Recyclage des matériaux	50
Caractéristiques techniques	50
Couple réel	50
Réglage de la hauteur du siège	50

## Utilisation

Les fauteuils roulants légers sont exclusivement réservés aux utilisateurs qui sont dans l'incapacité de marcher ou qui ont une mobilité réduite, pour une utilisation personnelle à l'intérieur ou à l'extérieur sur une surface sèche, ferme et plate (Auto-propulsions limitées ou propulsion par une tierce personne).

La charge maximale (à savoir le poids de l'utilisateur et des accessoires éventuellement embarqués) est indiquée sur la plaque signalétique apposée sur le croisillon ou sur la barre de stabilisation, en dessous du siège.

La garantie n'est valable que si le produit est utilisé dans les conditions spécifiées et pour l'usage pour lequel il est prévu. La durée de vie prévue pour ce fauteuil est de cinq années.

N'utilisez ET n'installez aucun composant tiers sur le fauteuil, à moins qu'ils n'aient été formellement approuvés par Sunrise Medical.

## Champ d'application

De par la diversité des options de montage et sa conception modulaire, ce fauteuil convient pour les personnes dans l'incapacité de marcher ou à mobilité restreinte, suite à :

- Une paralysie
  - La perte d'un membre (amputation de la jambe)
  - Un problème/la difformité d'un membre
  - Des contractures/blessures aux articulations
  - Des maladies, telles qu'une insuffisance cardiaque et circulatoire, trouble de l'équilibre ou cachexie, et pour les personnes âgées ayant assez de force dans le haut du corps.
- Sélectionner le bon fauteuil nécessite de prendre en compte des éléments tels que la taille de l'utilisateur, son poids, sa constitution physique et psychologique, son âge, son mode de vie et son environnement.

## Consignes de sécurité et de conduite

La conception et la construction du fauteuil sont réalisées pour garantir une sécurité maximale. A l'échelle internationale, toutes les exigences applicables en matière de normes de sécurité sont respectées, voire dépassées.

Toutefois, l'utilisateur peut se mettre en situation de danger en utilisant son fauteuil de façon incorrecte. Pour votre sécurité, vous devez impérativement respecter les consignes suivantes. Les altérations ou réglages non professionnels ou erronés augmentent le risque d'accidents. En tant qu'utilisateur de fauteuil roulant, vous participez à la circulation publique, sur routes ou trottoirs. Vous êtes par conséquent tenu de respecter le code de la route.

Lors de votre première utilisation du fauteuil, roulez prudemment. Familiarisez-vous avec l'utilisation de votre nouveau fauteuil roulant. Avant chaque utilisation de votre fauteuil, contrôlez impérativement :

- Les axes fixes ou les axes à déverrouillage rapide sur les roues arrière.

- Les bandes velcro de l'assise et du dossier
- Les pneus, la pression et les freins.

Avant de modifier un quelconque réglage, il est important de lire le paragraphe correspondant de présent manuel d'utilisation.

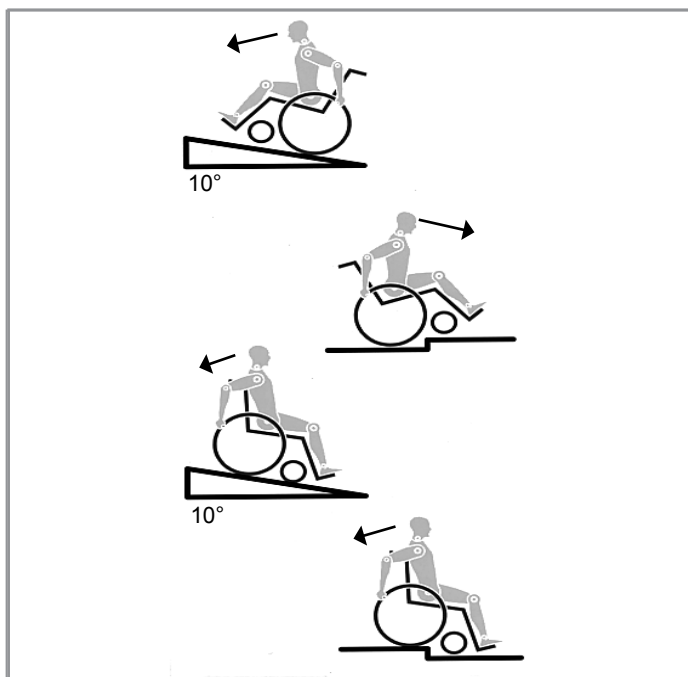
Des nids de poule ou un sol irrégulier peut faire basculer le fauteuil roulant lors de la montée ou de la descente des pentes. Si une marche ou une pente est abordée de face, le corps doit être incliné vers l'avant.



**DANGER !**

Ne dépassez JAMAIS la charge maximale de 125 kg (XL=170 kg) combinée entre l'utilisateur et tout autre accessoire éventuellement embarqué. Toute charge supérieure pourrait endommager le fauteuil ou vous faire basculer, perdre le contrôle et entraîner de graves blessures pour vous et toute autre personne.

- Dans la pénombre, portez des vêtements clairs ou réfléchissants de sorte à être vu par les autres usagers de la route. Veillez à ce que les réflecteurs latéraux et arrière du fauteuil restent bien visibles.
- Il est également recommandé d'installer une lumière.
- Pour éviter les chutes et situations dangereuses, il est recommandé de vous entraîner et de vous familiariser avec votre nouveau fauteuil sur une surface plane offrant une bonne visibilité.
- Pour monter et descendre du fauteuil, ne prenez pas appui sur les repose-pied.
- Il convient au contraire de les rabattre et de les pivoter vers l'extérieur le plus possible. Placez-vous toujours le plus près possible de l'endroit où vous voulez accéder.
- Utilisez toujours votre fauteuil avec prudence. Evitez par exemple de franchir des obstacles sans avoir préalablement ralenti (marche, bord de trottoir).



- Les freins d'immobilisation ne sont pas prévus pour ralentir et arrêter un fauteuil en déplacement. Ils sont prévus pour empêcher votre fauteuil à l'arrêt de se déplacer involontairement. Lorsque vous vous arrêtez sur un terrain accidenté, engagez impérativement vos freins d'immobilisation afin d'éviter tout mouvement accidentel du fauteuil. Pensez toujours à actionner les deux freins simultanément, autrement votre fauteuil pourrait basculer.
- Changer le centre de gravité peut avoir un impact sur le comportement du fauteuil dont vous devez être conscient. Il est recommandé de vous entraîner, par exemple en pente ou lors du franchissement d'obstacles. Familiarisez-vous avec les différents comportements en présence d'un accompagnateur.
- Avec des réglages extrêmes (comme les roues arrière en position la plus avancée possible) et une posture inadéquate, le fauteuil risque de basculer, même sur une surface plane.
- Lorsque vous franchissez des côtes et des marches, penchez votre corps plus en avant.
- Lorsque vous descendez des côtes et des marches, penchez votre corps plus en arrière. Ne tentez jamais de monter ou de descendre une pente en diagonal.
- Evitez d'utiliser les escalators. En cas de chute, vous pourriez vous blesser gravement.
- N'utilisez pas le fauteuil sur des pentes de plus de 10° d'inclinaison. Le degré d'inclinaison maximum des pentes dépend de la configuration du fauteuil, des capacités de l'utilisateur et du style de conduite. Les capacités de l'utilisateur et son style de conduite ne pouvant être prédéfinis, le degré d'inclinaison maximum des pentes ne peut être déterminé. Il revient donc à l'utilisateur, assisté de son accompagnateur, de déterminer l'inclinaison maximale afin d'éviter tout risque de basculement. Il est vivement recommandé d'installer des roulettes anti-basculer pour les utilisateurs inexpérimentés.
- Des nids de poule ou un sol irrégulier peuvent faire basculer le fauteuil roulant lors de la montée ou de la descente des pentes.
- N'utilisez pas le fauteuil sur des terrains boueux ou verglacés.
- N'utilisez pas le fauteuil dans des zones interdites aux piétons.
- Pour éviter de vous blesser aux mains, ne placez pas vos doigts entre les rayons ou entre la roue arrière et le frein de la roue lorsque le fauteuil est en déplacement.
- Si vous utilisez une main courante métallique et freinez dans une longue pente ou pour réduire votre allure, le frottement peut chauffer la main courante et vous brûler les doigts.
- Ne montez et descendez les escaliers que si vous êtes accompagné. Des équipements à cet effet sont à votre disposition, comme les rampes d'accès et les ascenseurs. Utilisez-les. En l'absence de tels équipements, deux personnes sont nécessaires pour faire basculer le fauteuil et lui faire franchir les marches une à une en le poussant, et non pas en le soulevant. Cette technique n'est pas recommandée pour les utilisateurs de plus de 100 kg. En général, en présence de roulettes anti-basculer, il convient de les régler de sorte qu'elles ne puissent heurter les marches, car cela pourrait entraîner une grave chute. Remplacez ensuite les roulettes anti-basculer à leur position normale.
- L'accompagnateur doit toujours tenir le fauteuil par les parties fixes et non pas par les parties amovibles (comme les repose-pieds ou les protège-vêtement).
- Lors de l'utilisation d'une rampe d'accès, pensez à positionner les roulettes anti-basculer (le cas échéant) en dehors de la zone à risque.
- Immobilisez toujours votre fauteuil à l'aide des freins lorsqu'il se trouve sur les surfaces accidentées ou lorsque vous montez dessus ou en descendez.
- Lors de l'utilisation d'une rampe d'accès, pensez à positionner les roulettes anti-basculer (le cas échéant) en dehors de la zone à risque.
- Immobilisez toujours votre fauteuil à l'aide des freins lorsqu'il se trouve sur les surfaces accidentées ou lorsque vous montez dessus ou en descendez.
- Dans la mesure du possible, au cours d'un déplacement à bord d'un véhicule pour personnes handicapées, il est conseillé aux occupants de s'asseoir sur les sièges et d'utiliser le système de retenue approprié. C'est le seul moyen d'assurer une protection optimale aux occupants en cas d'accident.

## DANGER !

- Selon le diamètre et le réglage des roues avant, ainsi que le centre de gravité du fauteuil, les roues avant peuvent se mettre à vibrer à mesure que la vitesse du fauteuil augmente. Les roues avant risquent alors de se bloquer et le fauteuil de basculer. Il est donc essentiel de régler correctement les roues avant (voir le chapitre "Roues avant").
- Ne descendez pas une pente sans frein et déplacez-vous lentement. Il est recommandé aux utilisateurs inexpérimentés d'utiliser des roulettes anti-basculer.
- Les roulettes anti-basculer empêchent le fauteuil de basculer accidentellement vers l'arrière. En aucun cas, elles ne doivent remplacer les roulettes de transit et servir au transport d'une personne dans un fauteuil dont les roues arrière auraient été retirées.
- Si vous souhaitez atteindre un objet (placé devant, derrière ou latéralement par rapport au fauteuil), évitez de trop vous pencher afin de ne pas modifier le centre de gravité et risquer de faire basculer le fauteuil. La présence d'une charge supplémentaire (sac à dos ou objets similaires) sur les montants arrière du dossier peut avoir un impact sur la stabilité de votre fauteuil (surtout si le dossier est incliné en arrière) et peut faire basculer le fauteuil en arrière et entraîner des blessures.
- Pour les personnes amputées d'un ou des membres inférieurs, il est impératif d'utiliser les roulettes anti-basculer.
- Avant d'utiliser votre fauteuil, vérifiez la pression des pneus. Pour les roues arrière, la pression doit être au moins de 3,5 bars (350 kPa). La pression maximale est indiquée sur la jante des pneus. Le frein à manette à hauteur du genou ne fonctionne que si la pression des pneus est suffisante et si le réglage est correct (voir le chapitre sur les "Freins").
- Si les toiles du dossier et du siège sont abîmées, remplacez-les immédiatement.
- Soyez très vigilants avec les risques d'incendie, surtout si une cigarette est allumée. Les toiles du dossier et du siège peuvent prendre feu.
- Si le fauteuil est exposé au soleil / à une température très basse pendant une période prolongée, certaines parties du fauteuil (par ex. le châssis, les repose-jambes, les freins et les protège-vêtement) peuvent chauffer (>41°C) / devenir très froides (<0°).
- Le cas échéant, vérifiez que les axes à déverrouillage rapide des roues arrière sont bien réglés et enclenchés (les roulements à bille verrouillés ressortent complètement du manchon d'essieu). Si le bouton de l'axe à déverrouillage rapide n'est pas enfoncé, vous ne pouvez pas enlever la roue arrière.

## ATTENTION !

- L'efficacité du frein à manette au genou et des caractéristiques de conduite générales dépend de la pression des pneus. Le fauteuil sera considérablement plus léger et plus facile à manœuvrer si les pneus des roues arrière sont correctement gonflés et ont la même pression.
- Vérifiez la sculpture des pneus.
- N'oubliez pas que lorsque vous vous déplacez au milieu de la circulation, vous devez respecter toutes les réglementations relatives au code de la route.
- Manipulez et ajustez toujours le fauteuil avec prudence.
- Les réglages du fauteuil nécessitant l'utilisation d'outils doivent être effectués par les revendeurs agréés.
- Nettoyez régulièrement votre fauteuil pour éviter l'apparition de rouille et la corrosion par le sel.
- Inspectez les rivets, écrous et boulons afin de vérifier qu'ils sont bien serrés et qu'aucune pièce du fauteuil ne se desserrera.
- Comme avec toutes les pièces amovibles, toute intervention présente le risque de se coincer les doigts. Manipulez le fauteuil avec précaution.
- Il est possible que les produits illustrés et décrits dans le présent manuel ne soient pas complètement identiques au modèle que vous avez acheté. Toutefois, toutes les instructions fournies dans le présent manuel sont valables pour votre matériel, malgré les éventuelles différences minimales.
- Le fabricant se réserve le droit de modifier sans préavis les poids, mesures et autres données techniques indiquées dans le présent manuel. Tous les chiffres, dimensions et capacités indiqués dans ce manuel sont approximatifs et ne constituent pas des caractéristiques.

## DANGER !

**RISQUE D'ÉTOUFFEMENT** – Ce fauteuil est composé de petites pièces qui, dans certaines conditions, peuvent présenter un risque d'étouffement pour les jeunes enfants.

### Durée de vie

La durée de vie anticipée de ce produit est de 5 années, dans la mesure où :

Il est utilisé conformément à l'usage pour lequel il est prévu  
Tous les impératifs d'entretien et de maintenance sont respectés.

## Garantie

Garantie  
CECI NE PORTE PAS ATTEINTE À VOS DROITS LÉGAUX.  
CONDITIONS DE GARANTIE

1) Tout travail de réparation ou de remplacement devra être effectué par un revendeur/technicien de service après-vente agréé Sunrise Medical.

2) En cas de problème avec votre produit, vous devez, pour faire jouer la garantie en vertu de ce contrat, signaler immédiatement toute anomalie au service après-vente Sunrise Medical désigné, en précisant la nature du problème. Si vous vous trouvez dans une localité autre que celle du service après-vente Sunrise Medical désigné, le travail pourra, en vertu des conditions de garantie, être effectué par un autre service après-vente désigné par le fabricant.

3) Si une pièce quelconque de votre fauteuil roulant devait être réparée ou remplacée en raison d'un vice de fabrication ou de matériau dans les 24 mois (5 ans pour le châssis et le croisillon) suivant la date à laquelle la propriété du produit a été transférée à l'acheteur original et à condition que ce dernier en ait conservé la propriété, la ou les pièce(s) sera/seront réparée(s) ou remplacée(s) gratuitement si le fauteuil est renvoyé au service après-vente agréé.

**REMARQUE** : La garantie n'est pas transférable.

4) Toute pièce réparée ou remplacée bénéficiera de la garantie pour le reste de la période de garantie applicable au fauteuil roulant.

5) Les pièces changées après la période de garantie seront couvertes pour une période supplémentaire de 12 mois.

6) Les composants consommables n'entrent généralement pas dans le cadre de la garantie, à moins que les pièces aient manifestement subi une usure exagérée résultant directement d'un vice de fabrication. Il s'agit, en autres, des garnitures, des pneus, des chambres à air et autres pièces similaires.

7) Les conditions de garantie susmentionnées s'appliquent à toutes les pièces des produits, pour les modèles achetés à plein tarif.

8) Dans des conditions normales, la garantie ne saurait être appliquée si le produit nécessite une réparation ou un remplacement pour l'une des raisons suivantes :

- a) Le produit, ou l'une de ses pièces, n'a pas été entretenu conformément aux recommandations du fabricant, telles qu'énoncées dans le Manuel de l'utilisateur et/ou le Manuel technique. Des pièces autres que celles spécifiées pour ce matériel ont été utilisées.
- b) Le produit, ou l'une de ses pièces, a été endommagé suite à une négligence, un accident ou une utilisation inadéquate.
- c) Le produit, ou l'une de ses pièces, a été transformé ou une réparation a été entreprise avant d'en avoir notifié le service après-vente.
- d) Le produit présente des signes de corrosion résultant d'une maintenance inappropriée.

## Transportabilité

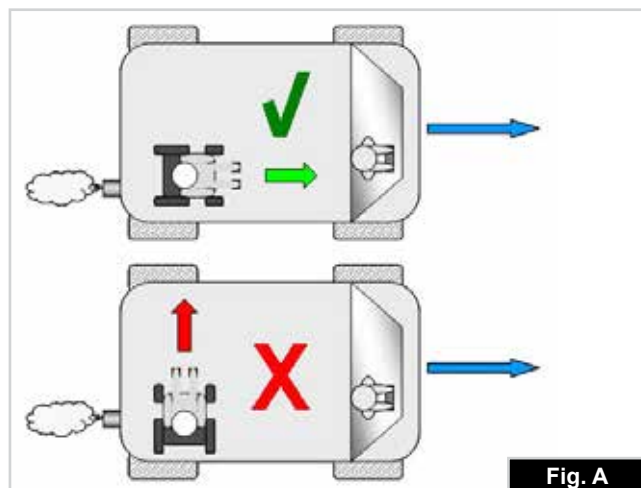
### DANGER !

Il y a risque de blessures sérieuses ou de mort si ce conseil n'est pas respecté.

Transport de votre fauteuil roulant dans un véhicule

Un fauteuil roulant arrimé dans un véhicule n'assurera pas le même niveau de sécurité que les sièges du véhicule. Il est toujours recommandé que l'utilisateur soit transféré au siège du véhicule. Sunrise Medical reconnaît qu'il n'est pas toujours facile de transférer l'utilisateur et dans une telle situation où l'utilisateur doit être transporté tout en étant dans son fauteuil roulant, il convient de suivre les recommandations suivantes :

1. Faites vous confirmer que le véhicule est correctement équipé pour transporter un passager dans un fauteuil roulant, et assurez-vous que la méthode d'accès/de sortie est convenable pour votre type de fauteuil roulant. Le sol du véhicule doit être suffisamment résistant pour supporter le poids de l'utilisateur avec celui du fauteuil roulant et de ses accessoires.
2. Suffisamment d'espace doit être disponible autour du fauteuil afin d'avoir un accès facile pour attacher, serrer et détacher le fauteuil roulant et le dispositif de retenue de l'occupant et les ceintures de sécurité.
3. Le fauteuil doit être placé dans le sens de la marche et être ancré par les points d'arrimage et le système de retenue et de fixation (conforme à la norme ISO 10542 ou SAE J2249) conformément aux instructions du fabricant du système de retenue.
4. L'utilisation du fauteuil à bord d'un véhicule motorisé dans une position autre que celle préconisée n'a pas fait l'objet de tests, ainsi le positionnement latéral du fauteuil ne doit être envisagé en aucun cas (Fig. A).
5. Le fauteuil doit être sécurisé par un système d'arrimage conforme à ISO 10542 ou SAE J2249 avec sangles avant non réglables et sangles arrière réglables, qui utilise typiquement des mousquetons/crochet en S et des boucles à ardillons. Ces dispositifs de retenue comprennent généralement 4 sangles individuelles qui sont attachées de chaque côté du fauteuil roulant.
6. Ce système d'arrimage doit être fixé au châssis principal du fauteuil roulant comme indiqué dans le schéma sur la page suivante, et non pas à tous les points d'attache ou accessoires, ex. pas autour des rayons des roues, freins ou repose-pied.



7. Le système de fixation doit être attaché le plus possible à un angle de 45° et tendu conformément aux indications du fabricant.

8. Ne modifiez et ne remplacez pas les points d'ancrage du fauteuil, ni les composants structurels sans avoir préalablement demandé l'avis du fabricant, à défaut de quoi le fauteuil Sunrise Medical ne sera pas conforme pour le transport à bord d'un véhicule motorisé.

9. Les deux ceintures de retenue au niveau du bassin et du torse supérieur doivent être utilisées pour retenir le passager afin de réduire la possibilité de choc de la tête ou du torse avec les composants du véhicule et de risques graves de blessures à l'utilisateur et tout autre occupant du véhicule. (Fig. B) La ceinture de retenue du torse supérieur doit être montée au pilier "B" du véhicule - ne pas respecter ceci augmente le risque de blessures abdominales graves à l'utilisateur.

10. Un soutien de tête adéquate pour le transport (voir étiquette de l'appui-tête) doit être installé et doit être dans la position souhaitée à tout moment pendant le transport.

11. Les systèmes de maintien posturaux (sangles sous-abdominales, ceintures sous-abdominales) ne doivent pas servir de système de retenue dans un véhicule en déplacement, à moins qu'ils ne soient conformes à la norme ISO 7176-19:2001 ou SAE J2249, ce qui doit être spécifiquement indiqué sur l'étiquette.

12. La sécurité de l'utilisateur pendant son transport dépend de la vigilance de la personne sécurisant le système d'arrimage et cette personne devrait avoir reçu des instructions appropriées et/ou une formation sur leur utilisation.

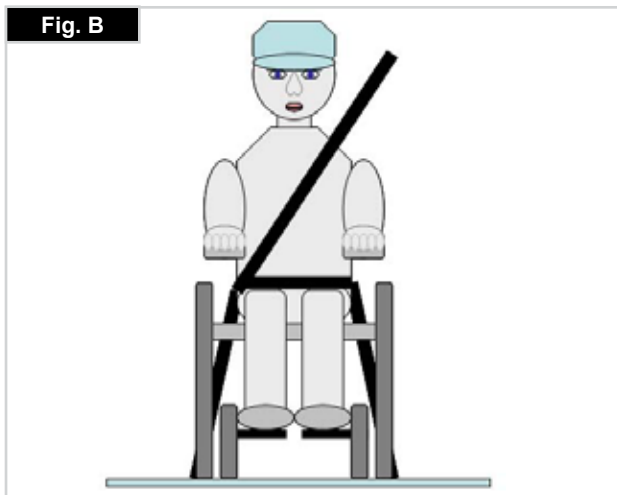
13. Dans la mesure du possible, retirez du fauteuil et rangez tous les accessoires et équipements auxiliaires, comme par exemple : Les cannes, les coussins amovibles et les tablettes.

14. Vous ne devez pas utiliser les repose-jambe articulés/élévateurs en position élevée quand le fauteuil roulant et l'utilisateur sont transportés et quand le fauteuil roulant est retenu par des dispositifs de retenue pour le transport de fauteuils roulants et de son passager.

15. Les dossiers inclinables doivent être remis en position verticale.

16. Les freins manuels du fauteuil doivent impérativement être enclenchés.

17. Les dispositifs de retenue doivent être montés au pilier "B" du véhicule et ne doivent pas être retenus par des composants du fauteuil roulant tel les accoudoirs ou les roues.





**INSTRUCTIONS POUR LE SYSTÈME DE RETENUE DE L'OCCUPANT :**

1. La ceinture de retenue du bassin doit être fixée en position basse à travers le bassin de façon à ce que l'angle de la ceinture du bassin soit dans la zone de préférence entre 30 et 75 degrés par rapport à l'horizontal.

Un plus grand angle au sein de la zone de préférence est recommandé c'est-à-dire plus proche de 75°, mais sans jamais dépasser cette limite. (Fig. C)

2. La ceinture thoracique doit passer par-dessus l'épaule et en travers de la poitrine, comme illustré aux Fig. D et E

Les ceintures de retenue doivent être serrées le plus possible, tout en respectant le confort de l'utilisateur.

La sangle de la ceinture de sécurité ne doit pas être entortillée pendant son utilisation.

La ceinture thoracique doit passer par-dessus l'épaule et en travers de l'épaule, comme illustré aux Fig. D et E.

3. Les points de retenue au fauteuil sont le côté interne avant du châssis juste au-dessus de la roue avant et l'arrière du châssis. Les sangles sont fixées autour des flancs de châssis, à l'intersection des tubes de châssis horizontaux et verticaux. (Voir Fig. G - K)

4. Le symbole d'arrimage (Fig. F) sur le châssis du fauteuil roulant indique la position des sangles de retenue du fauteuil roulant. Les sangles sont ensuite tendues après que les sangles avant ont été fixées pour sécuriser le fauteuil roulant.

**POIDS DE L'UTILISATEUR INFÉRIEUR 22 kg**

Si l'utilisateur devant être transporté est un enfant pesant moins de 22 kg et si le véhicule utilisé compte moins de huit (8) passagers assis, il est recommandé d'utiliser un dispositif de retenue pour enfants conforme au règlement 44 de la CEE-ONU.

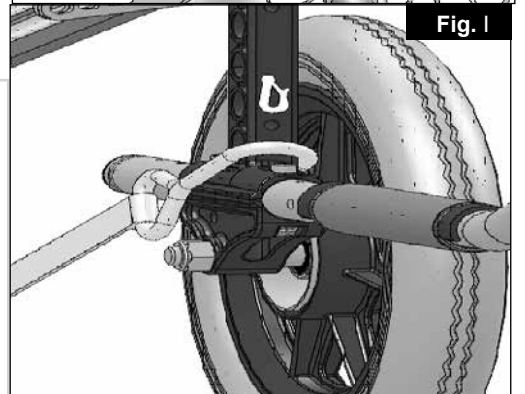
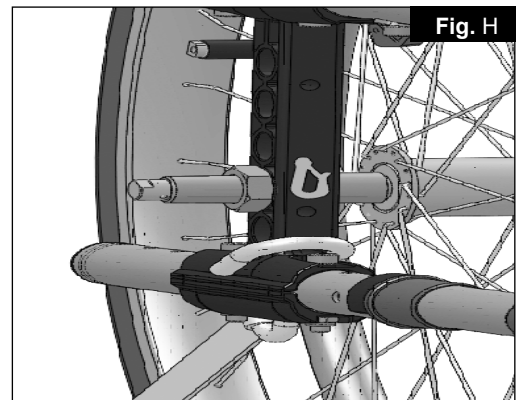
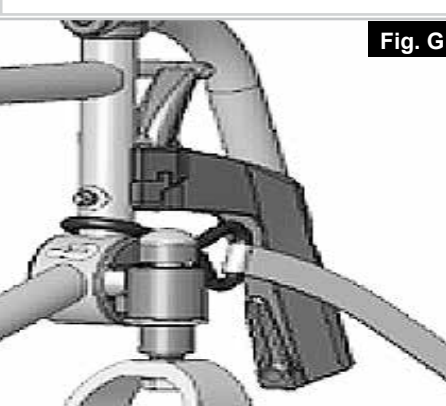
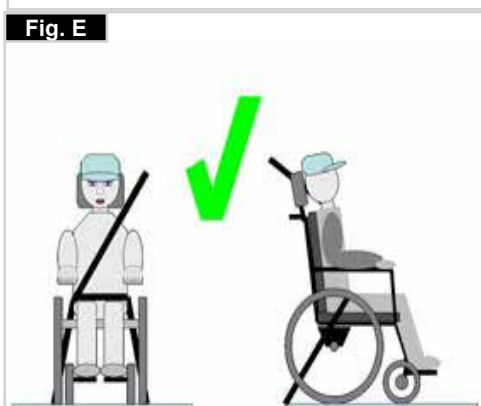
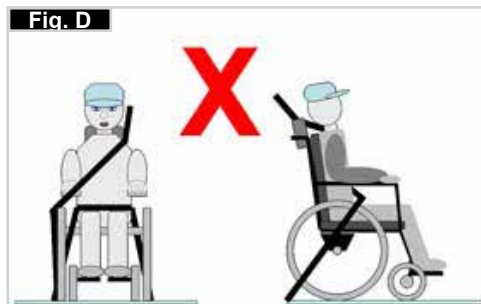
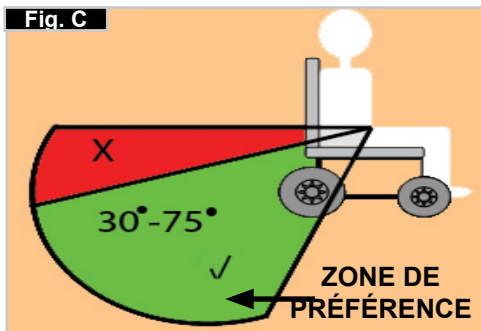
Ce type de dispositif de retenue est un moyen de retenue plus efficace que les dispositifs à trois points, et certains dispositifs de retenue pour enfants assurent également un support postural supplémentaire afin de maintenir la position de l'enfant lorsqu'il est assis.

Les parents ou toute autre personne s'occupant de l'enfant peut, selon le cas, décider de laisser l'enfant dans son fauteuil roulant pendant le transport en raison du niveau de contrôle de la posture ou du niveau de confort assuré par les réglages du fauteuil.

Dans ce cas, nous vous invitons à procéder à une évaluation des risques par le professionnel de santé qui vous suit ou par toute personne compétente dans ce domaine.

**POSITIONNEMENT DU DISPOSITIF D'ARRIMAGE SUR LE FAUTEUIL ROULANT :**

1. Emplacement des étiquettes d'arrimage à l'avant et à l'arrière (Fig. G-H-I).
2. Emplacement du système d'arrimage et de l'étiquette d'arrimage à l'avant (Fig. G) et à l'arrière (Fig. H-I).
3. Vue latérale des sangles d'arrimage, (Fig. J).



## Manipulation

### PLIAGE DU FAUTEUIL

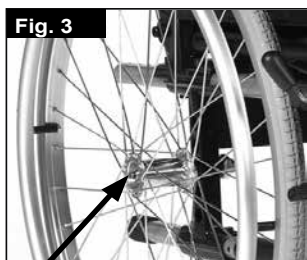
Enlevez le coussin de siège et la coque du dossier du fauteuil et rabattez le ou les repose-pieds (selon s'il s'agit d'une palette monobloc ou de deux pelettes individuelles). Attrapez la toile du siège ou les tubes de support du siège en plaçant vos doigts au centre et tirez vers le haut. Le fauteuil se plie alors. Pour gagner un maximum de place, afin par exemple de ranger le fauteuil dans le coffre de la voiture, vous pouvez enlever les repose-pieds (selon modèle). Ouvrez le verrou et rabattez le repose-pieds latéralement. Il suffit ensuite de sortir le repose-pieds de son tube de logement (Fig. 1).



### DÉPLIAGE DU FAUTEUIL

Appuyez sur les tubes de siège (voir figure). Le fauteuil roulant se déplie. Maintenant, pressez les tubes du siège dans les supports. Cette opération s'effectue plus facilement quand on bascule légèrement le fauteuil. La roue arrière est libérée et le fauteuil se déplie plus facilement. **Faites attention de ne pas vous coincer les doigts dans les tubes de traverse.** Réinstallez le coussin de siège et la coque du dossier (Fig. 2).

**Axes à déverrouillage rapide de la roue arrière** Les roues arrière doivent être munies d'axe à déverrouillage rapide. Les roues peuvent être démontées ou montées sans outils. Pour démonter une roue, appuyez sur le bouton à déverrouillage rapide (1) et tirez la roue de l'axe (Fig. 3).

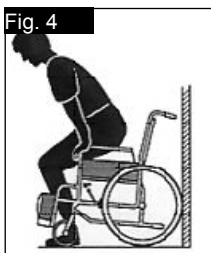


### ⚠ ATTENTION :

Lors du montage, appuyez sur l'axe à déverrouillage rapide dans le roulement, bouton pressé. Relâchez le bouton et la roue est bloquée. Le bouton d'arrêt doit revenir dans sa position de départ.

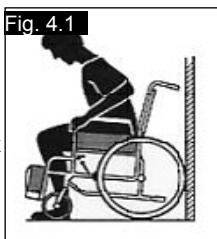
### VOUS ASSEoir DANS VOTRE FAUTEUIL PAR VOUS-MÊME (FIG. 4.0)

- Placez le fauteuil contre le mur ou contre un meuble relativement lourd ;
- Enclenchez les freins ;
- Remontez les palettes ;
- Abaissez-vous lentement jusqu'à ce que vous soyez assis dans votre fauteuil ;
- Rabaissez les palettes et placez vos pieds dessus, avec la sangle talonnière derrière.



### DESCENDRE DE VOTRE FAUTEUIL PAR VOUS-MÊME (FIG. 4.1)

- Enclenchez les freins ;
- Remontez les palettes ;
- Posez une main sur chaque accoudoir, penchez-vous légèrement vers l'avant de sorte à basculer le poids de votre corps vers l'avant du fauteuil, posez fermement les deux pieds au sol, l'un derrière l'autre, redressez-vous en poussant sur vos bras.



### ⚠ AVERTISSEMENT !

- Ne vous tenez jamais debout sur les palettes car cela aurait pour effet de faire basculer le fauteuil. Il est plus facile et moins risqué de relever les palettes ou de les retirer complètement lorsque vous montez et descendez de votre fauteuil.
- Enclenchez toujours les freins d'immobilisation lorsque vous montez ou descendez du fauteuil.

## Options – Leviers de basculement

### LEVIER DE BASCULEMENT

Pour faire basculer un fauteuil roulant par un accompagnateur(-trice) on utilise un levier de basculement. Pressez simplement le levier et vous pourrez monter le fauteuil sur un trottoir (Fig. 5).



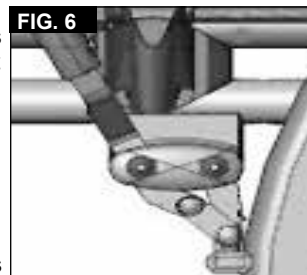
### ⚠ ATTENTION !

Sunrise Medical recommande vivement d'installer un levier de basculement sur les modèles dotés d'une roue de transit et sur tous les modèles où un accompagnateur est essentiellement présent, car l'utilisation répétée du dossier et la force exercée dessus pour incliner le fauteuil et franchir les obstacles aura pour effet d'endommager les montants du dossier.

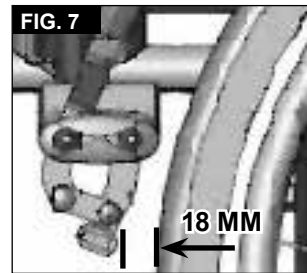
## Options - Freins

### FREINS

Le fauteuil est équipé de deux freins d'immobilisation. Les freins agissent directement sur les pneus. Pour immobiliser votre fauteuil, serrez les deux leviers de freinage jusqu'à la butée avant. Tirez le levier de freinage en arrière pour le relâcher.



- L'effet de freinage diminue quand :
- Les sculptures du pneu sont usées
  - La pression des pneus est insuffisante
  - Les pneus sont humides
  - Le frein est mal réglé.



Les freins d'immobilisation ne sont pas destinés à être utilisés comme des freins de service. N'actionnez pas les freins en marche. Freinez toujours à l'aide des mains courantes. Veillez à ce que l'écartement entre le frein et le pneu soit conforme à la valeur indiquée. Pour régler, dévissez la vis et réglez le bon intervalle. Resserrez de nouveau la vis (Fig. 6-7).

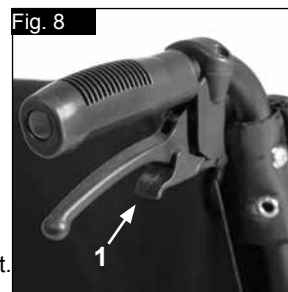
### ⚠ ATTENTION !

Après avoir procédé au réglage des roues arrière, vérifiez toujours l'intervalle avec les freins d'immobilisation. Réajustez si nécessaire. Plus les freins seront montés près de la roue, plus l'effort à fournir pour les actionner sera grand. Cela pourrait casser la rallonge du levier de frein !

Veillez à ne pas prendre appui sur la rallonge du levier lorsque vous montez ou descendez du fauteuil, car vous risqueriez de la casser ! L'eau projetée par les pneus peut réduire l'efficacité des freins d'immobilisation.

### FREINS À TAMBOUR

Les freins tambour permettent à l'accompagnateur de freiner en toute sécurité et de manière aisée. Ils peuvent être également montés avec un levier de verrouillage (1) pour éviter qu'ils ne se desserrent accidentellement. Vous devez entendre le clic du levier de blocage lors de son enclenchement. Le gonflage des pneus n'a aucune incidence sur les freins tambour (Fig. 8).



### ⚠ AVERTISSEMENT !

Ne confiez le réglage du frein tambour qu'à un revendeur. Actionnez toujours les 2 freins simultanément pour garantir une direction de conduite contrôlée.

Les freins tambour sont un moyen de freinage dynamique destiné exclusivement à immobiliser le fauteuil roulant durant son déplacement.

Enclenchez toujours les freins d'immobilisation pour les arrêts de courte ou longue durée et lorsque vous montez ou descendez du fauteuil.

## LA CONDUITE D'UNE SEULE MAIN

Votre fauteuil est doté de deux freins d'immobilisation, chacun placé de part et d'autre et pouvant fonctionner d'un côté comme de l'autre. Les freins agissent directement sur les pneus. Pour les actionner, baissez le levier de frein vers l'avant jusqu'à la butée (Fig. 9). Pour relâcher les freins, relevez le levier dans sa position originale.



- L'effet de freinage diminue quand :
- Les sculptures du pneu sont usées
- La pression des pneus est insuffisante
- Les pneus sont humides
- Le frein est mal réglé.



Les freins d'immobilisation ne sont pas destinés à être utilisés comme des freins de service. N'actionnez pas les freins en marche. Freinez toujours à l'aide des mains courantes. Veillez à ce que l'écartement entre le frein et le pneu soit conforme à la valeur indiquée. Pour régler, dévissez la vis et réglez le bon intervalle. Resserrez la vis (voir la page couples de serrage) (Fig. 10).

### ⚠ ATTENTION :

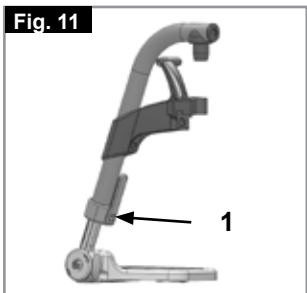
Après avoir procédé au réglage des roues arrière, vérifiez toujours l'intervalle avec les freins d'immobilisation. Réajustez si nécessaire.

Plus les freins seront montés près de la roue, plus l'effort à fournir pour les actionner sera grand. Cela pourrait casser la rallonge du levier de frein ! Veillez à ne pas prendre appui sur la rallonge du levier lorsque vous montez ou descendez du fauteuil, car vous risqueriez de la casser ! Veillez à ne pas prendre appui sur la rallonge du levier lorsque vous montez ou descendez du fauteuil, car vous risqueriez de la casser !

## Options - Palettes

### PALETTES :

Les repose-pieds peuvent être rabattus pour monter et descendre plus facilement du fauteuil.



### LONGUEUR DE LA JAMBE INFÉRIEURE :

Pour les utilisateurs de grande taille, la palette peut être abaissée à la position désirée à l'aide des vis (1). Il suffit pour cela de dévisser les vis, de placer les tubes à la position désirée, puis de resserrer les vis (voir la section sur les couples de serrage). Il doit également y avoir un minimum de 5 cm entre le repose-pied et vos talons, (Fig. 11).

### PLAQUE DE REPOSE-PIEDS À INCLINAISON VARIABLE

Vous pouvez modifier l'angle d'inclinaison de la plaque par rapport au sol. Dévissez la vis, sortez-la, réglez la plaque à l'angle désiré, puis réinsérez la vis. Après avoir procédé au réglage désiré, revissez la vis.



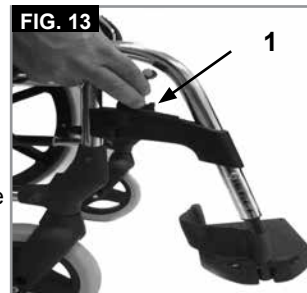
Après avoir procédé à vos réglages, vérifiez toujours d'avoir bien revissé toutes les vis (voir la page 5 couples de serrage).

Veillez à toujours conserver l'écart minimum de 2,5 cm avec le sol (Fig. 12).

## Options - Palettes

### REPOSE-PIEDS ET LOQUET

Le repose-jambes est rabattable sous le siège ou vers l'extérieur. Lors du montage du repose-jambes, le repose-pieds doit être orienté vers l'intérieur ou l'extérieur. Faites-le ensuite pivoter vers l'intérieur jusqu'à ce qu'il s'enclenche. Pour retirer le repose-jambes, tirez sur le levier (1), faites pivoter les repose-pieds vers l'intérieur ou l'extérieur et retirez-le en soulevant. Assurez-vous que le repose-jambe est bien enclenché (Fig. 13).



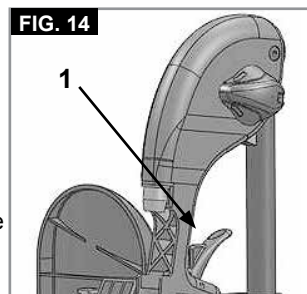
### ⚠ ATTENTION !

- Ne jamais soulever ou porter le fauteuil en l'attrapant par le repose-jambes.
- Pour monter et descendre du fauteuil, ne prenez pas appui sur les palettes du repose-pied. Il convient au contraire de les relever préalablement ou de basculer le repose-pied vers l'extérieur le plus possible.

### REPOSE-JAMBES (EN OPTION)

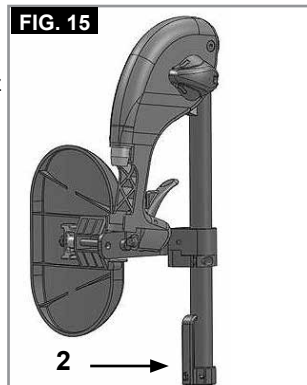
(Fig. 14-16)

Pour retirer le repose-jambes, tirez sur le levier (1), faites pivoter la palette vers l'extérieur, puis soulevez et retirez le repose-jambe.



### RÉGLAGE DE LA HAUTEUR :

La longueur de la jambe inférieure peut se régler en desserrant la vis (2). Réglez à la hauteur désirée, puis resserrez la vis.

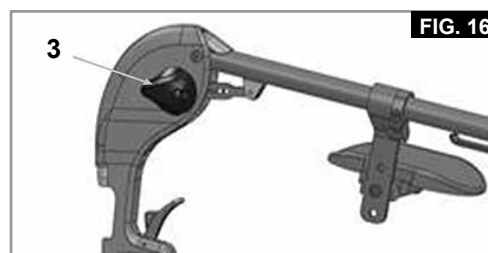


### ⚠ ATTENTION !

La distance entre la palette et le sol doit être d'au moins 40 mm.

### RÉGLAGE DE L'INCLINAISON :

Enfoncez d'une main le levier (3) vers le bas tandis que vous soutenez le repose-jambes avec l'autre main. Une fois l'angle d'inclinaison souhaité obtenu, relâchez le levier. Le repose-jambes s'enclenche alors dans l'une des positions prédéfinies.



## RÉGLAGE DE L'APPUI-MOLLET

(Fig. 17).

Vous pouvez régler l'appui-mollet de la façon suivante :

Hauteur : dévissez le boulon (4) et déplacez la patte de serrage à la position désirée. En pivotant la patte de serrage, vous pouvez également régler l'angle d'inclinaison.

Profondeur : Ouvrez le boulon (5) et déplacez l'appui-mollet à la position désirée.

Largeur : Ouvrez le boulon (5) et placez les entretoises (6) derrière l'appui-mollet de sorte à obtenir la position désirée.

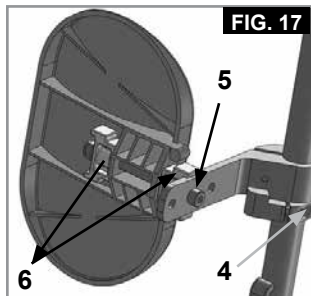


FIG. 17

### AVERTISSEMENT !

- Pendant que vous relevez ou abaissez les repose-pieds, veillez à ne pas vous prendre les doigts dans le mécanisme de réglage situé entre le châssis et les pièces mobiles du repose-pieds.
- Vérifiez que les fixations sont toujours bien serrées.
- Ne soulevez ou portez jamais le fauteuil en l'attrapant par les repose-pieds.
- Faites attention de ne pas vous pincer les doigts. Ne mettez pas vos doigts dans le mécanisme de réglage, entre les pièces amovibles des repose-pieds lorsque vous levez ou abaissez ce dernier.



FIG. 19

## SUPPORT POUR PERSONNE AMPUTÉE

(Fig. 18).

Le support pour personne amputée se règle dans toutes les directions, selon les besoins.

## Options – Roues avant

### ROUES AVANT, ADAPTATEUR DE ROUE AVANT, FOURCHE DE ROUE AVANT

Le fauteuil peut tirer légèrement à droite ou à gauche ou les roues avant peuvent avoir du jeu. Cela peut être dû aux raisons suivantes :

- Le mouvement avant et arrière des roues n'est pas correctement réglé.
- Mauvais réglage de l'angle des roues avant.
- Gonflement insuffisant des roues avant et/ou des roues arrière. Le roulement des roues en est gêné.

Le fauteuil ne pourra avancer droit si les roues avant sont mal réglées. Les réglages des roues avant doivent toujours être confiés à un revendeur agréé. En cas de modification de la position de la roue arrière, les réglages du frein doivent être contrôlés.

## Options - Adaptateur de roues avant

La hauteur du siège est déterminée par la position des roues avant et des roues arrière. Vous pouvez régler la hauteur du siège en modifiant la position des roues arrière et des roues avant, et à l'aide d'entretoises, (Fig. 19).

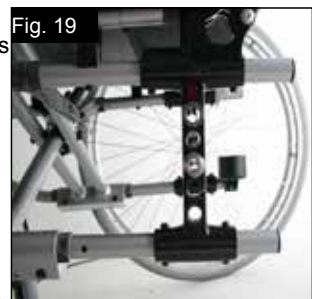


Fig. 19

### ATTENTION !

Après avoir réglé la hauteur du siège, vérifiez d'avoir bien revissé toutes les vis et d'avoir ajusté les freins d'immobilisation.

## Options - Adaptateur de roues avant

### REMARQUE :

Vous pouvez modifier l'angle de l'axe de la roue avant en changeant la position de la roue avant / roue arrière. L'angle doit toujours être d'environ 90°.

### RÉGLAGE DE L'ANGLE DE L'AXE DE LA ROUE AVANT:

Dévissez les vis (1), sortez l'adaptateur de roue avant, réglez l'angle à 90°, puis resserrez les vis (Fig. 20-21).

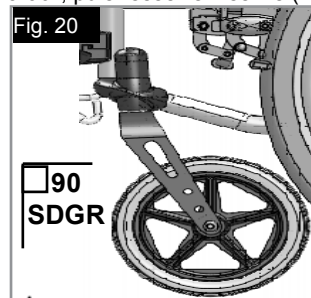


Fig. 20

### ATTENTION !

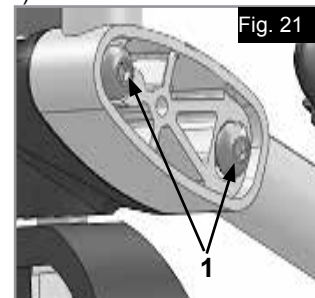


Fig. 21

L'angle d'axe de roue avant doit être le même des deux côtés (Vérifiez à l'aide de repères).

### POSITION HORIZONTALE DE L'AXE

Vous pouvez régler la plaque d'axe vers l'avant pour obtenir une meilleure manœuvrabilité ou vers l'arrière pour une plus grande stabilité (Fig. 22).

Plus l'empattement est important, moins le fauteuil risque de basculer

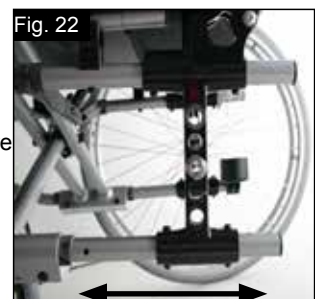


Fig. 22

## Options - Dossier

### DOSSIER À HAUTEUR RÉGLABLE

Vous pouvez régler la hauteur du dossier à 2 ou 3 positions différentes (selon modèle) (41 cm, 43,5 cm et 46 cm). Relâchez et retirez les boulons (1) et (2), et poussez le tube de dossier à la position désirée. Revissiez les boulons (Fig. 23).

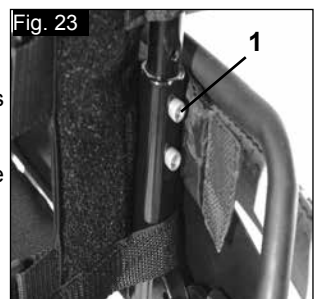


Fig. 23

### DOSSIER INCLINABLE

Vous pouvez régler l'inclinaison du dossier à 6 positions différentes (-5° vers l'avant, 0°, 5°, 10°, 15° et 20° vers l'arrière). Pour régler l'angle, enlevez la vis (1), réglez à l'angle d'inclinaison désiré et resserrez de nouveau la vis (Fig. 24).

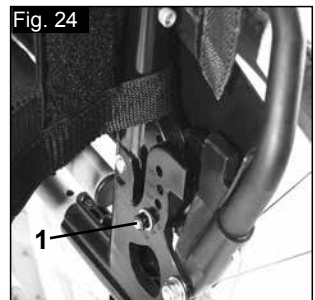


Fig. 24

### DOSSIER INCLINABLE (7° - 30°)

En tirant sur les 2 leviers (1) simultanément, le dossier est libéré. Vous pouvez alors le régler à la position désirée.

En relâchant les deux leviers (1) vous verrouillez automatiquement le dossier à la position où il se trouve (Fig. 25).



Fig. 25

## ⚠ ATTENTION !

- Il est recommandé d'utiliser le dossier réglable en angle conjointement avec l'extension de l'empattement.
- Il est recommandé d'employer le dossier inclinable uniquement en combinaison avec les roulettes anti-bascule (maximum 3 - 5 cm de garde au sol).
- Il est recommandé d'employer le dossier inclinable en combinaison avec la barre de stabilisation.

### DOSSIER CASSANT

Dépliage du dossier :  
Pour redresser le dossier, poussez les poignées vers le haut et vers l'avant jusqu'à ce qu'elles s'enclenchent, (Fig. 26).



## ⚠ AVERTISSEMENT !

Tenez vos doigts et tout autre objet éloignés du mécanisme pliant lorsque vous pliez le dossier afin d'éviter toute blessure ou endommagement.

### Pliage du dossier :

Le dossier peut être plié afin de faciliter l'entreposage du fauteuil, (Fig. 27).



## ⚠ ATTENTION !

Ne pliez pas le dossier lorsque l'utilisateur est appuyé contre car cela pourrait endommager le levier.

Pour plier le dossier, tenez-vous derrière le fauteuil et appuyez sur les deux petits leviers (Fig. 27 - 28) placés de chaque côté du dossier (juste au-dessus des accoudoirs). Abaissez le dossier.



### TOILE DU DOSSIER RÉGLABLE

Vous pouvez régler la tension de la toile du dossier à l'aide des sangles (Fig. 28).

## ⚠ ATTENTION !

Ne tendez pas les sangles excessivement, car cela pourrait interférer avec le mécanisme de pliage du fauteuil.

### DOSSIER COMFORT

Le dossier Comfort permet à l'utilisateur de rester assis confortablement durant de longues périodes, avec un support latéral. Le dossier est amovible. Pour l'enlever, soulevez-le vers le haut, puis poussez vers l'avant. Le coussin est maintenu en place par Velcro et est également amovible. La housse est lavable (Fig. 29).



### CÂLE TRONC

Vous pouvez régler l'angle, la profondeur et la hauteur du câble tronc. Le scâle est escamotable ; il suffit de le soulever vers le haut

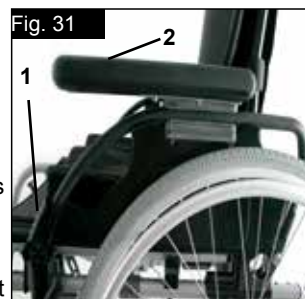
- Réglage de la profondeur : Retirez les 2 vis et placez le câble tronc à la position désirée. Resserrez les vis.
- Réglage de l'angle : Dévissez la vis, réglez le câble tronc à l'angle désiré, puis revissez la vis. (Fig. 30)
- Réglage de la hauteur : Retirez les vis de retenue de la patte de fixation, puis placez la patte à la position désirée. Resserrez les vis.



## Options – Protège-vêtement

### PROTÈGE-VÊTEMENT STANDARD, RABATTABLE, AMOVIBLE AVEC ACCOUDOIRS COURTS OU LONGS

Le protège-vêtement à bords arrondis permet de plus vous approcher d'une table. Pour relever l'accoudoir, enfoncez le levier (1) de manière à libérer le protège-vêtement (Fig. 31 et 32).



La hauteur de l'accoudoir (2) peut être réglée en plaçant le support d'entretoise à la position désirée. Pour cela, dévissez les vis, déplacez le support d'entretoise et resserrez le vis. Vous pouvez régler la longueur de l'accoudoir en dévissant les vis (3), puis en déplaçant l'accoudoir à la position désirée. Revissez les vis (Fig. 33).



## ⚠ ATTENTION :

- Ne jamais soulever le fauteuil par les accoudoirs ou les protections latérales.
- Veillez à ne pas vous coincer les doigts lorsque vous réglez la hauteur de la manchette.

### PROTÈGE-VÊTEMENT, RABATTABLE, AMOVIBLE ET AVEC ACCOUDOIRS COURTS OU LONGS, À HAUTEUR RÉGLABLE

Vous pouvez régler la hauteur de l'accoudoir de la façon suivante. Abaissez le levier et placez l'accoudoir à la hauteur désirée. Relâchez le levier et appuyez sur l'accoudoir jusqu'à ce qu'il s'enclenche. Vérifiez que l'accoudoir est bien enclenché. Pour relever l'accoudoir, enfoncez le levier (1) de manière à libérer le protège-vêtement.



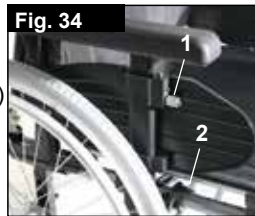
Vous pouvez régler la longueur de l'accoudoir. Pour cela, dévissez les vis (2), placez l'accoudoir à la position désirée, puis resserrez les vis (Fig. 33).

## ⚠ ATTENTION :

- Ne jamais soulever le fauteuil par les accoudoirs ou les protections latérales.
- Si le fauteuil est doté de roues de 24 pouces, l'accoudoir doit être rehaussé d'un cran.

## ACCOUDOIRS À HAUTEUR RÉGLABLE

Pour régler la hauteur, tirez sur le levier (1) et poussez l'accoudoir à la hauteur désirée. Vérifiez ensuite que le levier (1) s'enclenche bien en place. Le retrait de l'accoudoir est réalisé de la même façon.



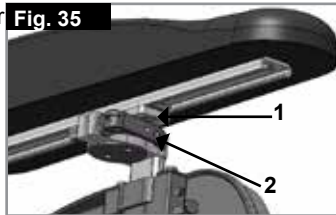
Pour enlever complètement la protection latérale, poussez le levier (2). Lorsque vous installez la protection latérale, le levier (2) doit également être levé.

**Vérifiez toujours que la protection latérale s'enclenche bien dans le tube de logement.** (Fig. 34)

## Options – Accoudoirs pour hémiplegique

### ACCOUDOIR POUR HEMAPLEGIQUE

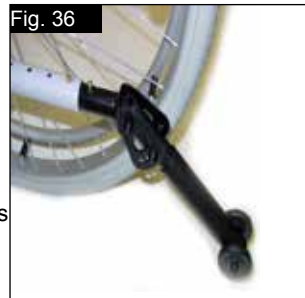
Il est possible de régler la longueur et l'angle d'inclinaison de l'accoudoir hémiplegique. Après avoir desserrés les 2 vis (1) vous pouvez régler la longueur en appuyant sur l'accoudoir. Pour régler l'angle, ouvrez le levier de déverrouillage (2), pivotez l'accoudoir à la position désirée, puis refermez le levier (Fig. 35).



## Options - Roulettes anti-basculer

### ROULETTES ANTI-BASCULE

Les roulettes anti-basculer assurent aux utilisateurs inexpérimentés une sécurité renforcée pendant l'apprentissage de leur fauteuil. Elles empêchent le fauteuil de basculer vers l'arrière. Insérez les roulettes anti-basculer dans le montant du châssis jusqu'à ce que le premier des deux boutons à ressort ressorte du premier trou du montant, (Fig. 36).



### ⚠ AVERTISSEMENT !

Un mauvais réglage des roulettes anti-basculer augmente le risque pour le fauteuil de basculer en arrière. Vous devez relever les roulettes anti-basculer lorsque vous franchissez un obstacle de grande taille (comme un trottoir) afin d'éviter qu'elles ne heurtent le sol. Abaissez-les ensuite en position normale une fois l'obstacle franchi.

**REMARQUE :** N'insérez pas les deux boutons à ressort dans le montant du châssis car cela pourrait endommager la roulette et lui faire perdre son efficacité. Pour régler les roulettes anti-basculer vers le haut ou les retirer, enfoncez le second bouton exposé. Il doit également y avoir un écart minimum de 3 cm à 5 cm entre le sol et la roulette. Vous devez faire pivoter les roulettes anti-basculer vers le haut lorsque vous franchissez des obstacles (comme le trottoir) afin d'éviter qu'elles ne touchent le sol. Abaissez-les ensuite en position normale une fois l'obstacle franchi (Fig. 36).

### ⚠ AVERTISSEMENT !

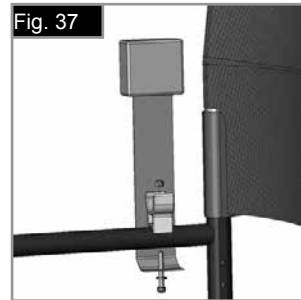
Un mauvais réglage des roulettes anti-basculer augmente le risque pour le fauteuil de basculer en arrière.

## Options – Ceinture sous-abdominale




### ⚠ AVERTISSEMENT !

Avant d'utiliser votre fauteuil roulant, assurez-vous que la ceinture de sécurité soit mise et réglée correctement avant utilisation.

La ceinture sous-abdominale est fixée sur le fauteuil comme représenté dans l'illustration. La ceinture de sécurité se comprend de 2 moitiés. Elles sont installées en utilisant le boulon de maintien existant du siège fixé à travers l'œillet de la ceinture. La ceinture est passée sous l'arrière du panneau latéral. (Fig. 37) Ajustez la position de la ceinture afin que les attaches soient au centre du siège. (Fig. 38)



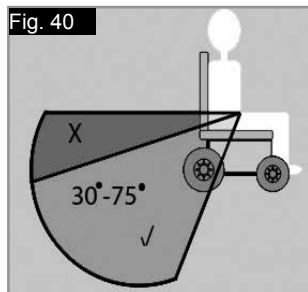
Ajustez la ceinture sous-abdominale afin de convenir aux besoins de l'utilisateur comme ci-après :

Pour augmenter la longueur de la ceinture	Pour réduire la longueur de la ceinture	✓
 Type B	 Type B	 Type B
Passez la ceinture par les dispositifs de réglage coulissant et l'attache mâle afin d'obtenir plus de longueur de ceinture.	Passez la ceinture par l'attache mâle et le dispositif de réglage coulissant.	Assurez-vous que la ceinture n'a pas de nœud au niveau de l'attache mâle.

## Options – Ceinture sous-abdominale

Une fois la ceinture attachée, vérifiez l'espace entre la ceinture sous-abdominale et l'utilisateur. Si la ceinture est correctement réglée, vous pouvez passer la main à plat entre la ceinture sous-abdominale et l'utilisateur. (Fig. 39)

En général, la ceinture sous-abdominale doit être fixée de façon à ce que les sangles soient à un angle d'environ 45°, et quand elle est correctement réglée, elle ne permet pas à l'utilisateur de glisser dans le siège. (Fig. 40)



**Pour attacher la ceinture :**  
Poussez l'attache mâle de façon ferme dans l'attache femelle.

**Pour retirer la ceinture :**  
Appuyez sur les parties exposées de l'attache mâle et poussez vers le centre OU poussez le bouton à pression de la boucle femelle tout tirant doucement pour les séparer.

### CONSEIL À L'ATTENTION DU CLIENT

**⚠ DANGER !**

- N'utilisez pas seulement une ceinture sous-abdominale quand le fauteuil roulant et son utilisateur sont transportés dans un véhicule. Utilisez le dispositif de maintien sous abdominal et diagonal pour passagers fournis dans le véhicule.
- Avant utilisation, nous recommandons de vérifier que la ceinture sous-abdominale est correctement réglée, sans obstruction ou dans le mauvais sens et que la boucle s'enclenche correctement.
- Ne pas s'assurer que la ceinture sous-abdominale est attachée en toute sécurité ou bien réglée avant l'utilisation peut provoquer des blessures graves à l'utilisateur. Ex. une sangle trop lâche peut permettre à l'utilisateur de glisser dans le fauteuil et d'engendrer un risque d'étouffement.

### ENTRETIEN :

Vérifiez régulièrement l'état de la ceinture et des composants de retenue afin de détecter l'apparition d'éventuels signes d'endommagement ou de déchirure. Remplacez la ceinture, si nécessaire. Nettoyez la ceinture sous-abdominale avec de l'eau chaude savonneuse et attendez qu'elle sèche.

**⚠ DANGER !**

La ceinture sous-abdominale doit être réglée de façon à s'adapter à l'utilisateur, comme détaillé ci-dessus. Sunrise Medical recommande également que la longueur et l'ajustement de la ceinture soient vérifiés régulièrement afin de réduire le risque de voir l'utilisateur final régler par inadvertance la ceinture à une longueur excessive.

Si vous avez des doutes au sujet de l'utilisation et de la manipulation de la ceinture demandez l'assistance de votre professionnel de la santé, de votre fournisseur du fauteuil roulant, de votre aide-soignant ou de votre tierce personne.

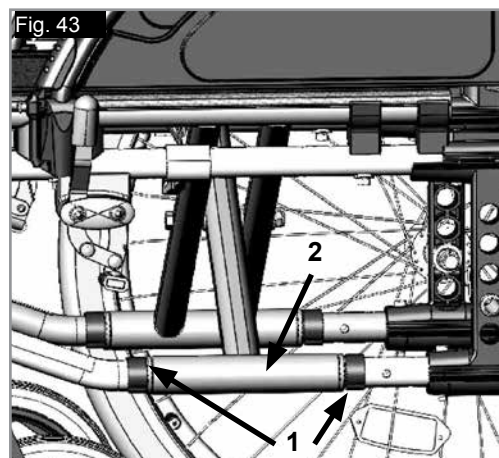
## Options – Profondeur du siège

### PROFONDEUR DU SIÈGE

Retirez les clips (1), pour déplacer le tube de traverse (2) le long du châssis, afin de modifier la profondeur du siège (selon la position des tubes arrière).

Vérifier que les clips (1) se ré-enclenchent bien dans les orifices prévus sur le châssis.

Pour garder le châssis aussi compact que possible, vous pouvez également régler la profondeur du siège avec les tubes arrière (41 – 51 cm par incréments de 2,5 cm). Pour cela, retirez les vis (1 et 2) des fixations des tubes de dossier. Retirez les roues et les accoudoirs et vérifiez que le compas d'articulation est à la position désirée (faites-le glisser en suivant la procédure décrite ci-dessus). Déplacez les tubes arrière à la position désirée et revissez toutes les vis. Placez le tube de logement des accoudoirs à la position appropriée (Fig. 43).



## Options – Poignées de poussée

### POIGNÉES DE POUSSÉE RÉGLABLES EN HAUTEUR

Les poignées sont maintenues en place par des goupilles qui les empêchent de sortir accidentellement. En ouvrant le levier de libération (1), vous pouvez régler les poignées à la hauteur qui vous convient. Après avoir effectué le moindre réglage de hauteur des poignées, refermez le levier de libération (1) jusqu'à ce qu'il soit serré (Fig. 44).



#### ⚠ ATTENTION :

Si le levier de serrage n'est pas suffisamment serré, cela peut être très dangereux lorsque vous franchissez des obstacles.

## Options – Porte-canne

### PORTE-CANNE

Le porte-canne vous permet de toujours transporter votre canne avec vous. Une bande Velcro sert à fixer la canne ou tout autre système d'aide à la marche (Fig. 45).



#### ⚠ ATTENTION :

N'essayez jamais d'utiliser ni d'enlever votre canne ou tout autre système d'aide à la marche pendant que vous vous déplacez en fauteuil.

## Options - Tablette thérapeutique

### TABLETTE THÉRAPEUTIQUE

La tablette consiste en une surface plane adaptée à la plupart des activités. La tablette doit être adaptée une fois pour toute à la largeur du siège par votre spécialiste. L'utilisateur doit être assis dans le fauteuil pendant cette opération (Fig. 46).

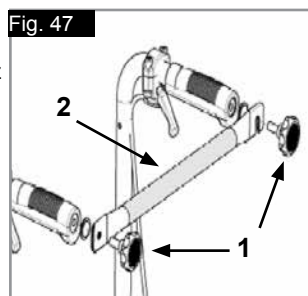


## Options - Barre de stabilisation

### TENDEUR DE DOSSIER

Avant de plier le fauteuil, desserrez les boutons à molette (1) et dégagez le tendeur de dossier (2).

Pour remettre le tendeur en place, suivez la procédure dans le sens inverse, (Fig. 47).

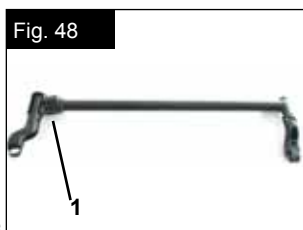


#### ⚠ DANGER !

- Avant d'utiliser le fauteuil, vérifiez que le tendeur de dossier et les molettes sont bien en place et correctement serrés.
- Ne soulevez jamais le fauteuil en l'attrapant par le tendeur de dossier !

### TENDEUR DE DOSSIER ESCAMOTABLE

Cette barre permet de stabiliser le dossier. Pour pouvoir plier le fauteuil roulant, enfoncez le levier de déverrouillage (1) vers l'intérieur et abaissez le tendeur de dossier. Lorsque vous dépliez le fauteuil, pensez à bien remettre le tendeur de dossier en place (Fig. 48).



## TENDEUR DE DOSSIER PLIANT

Cette barre permet de stabiliser le dossier. Pour pouvoir plier le dossier, vous devez abaisser le tendeur de dossier en son centre (1). Pour complètement déplier le fauteuil, levez la poignée de transport (2) vers le haut (Fig. 49).



## Options – Appui-tête

### APPUI-TÊTES

Vous pouvez régler la hauteur de l'appui-tête et l'incliner vers l'avant ou l'arrière. Pour effectuer ce réglage, dévissez la vis, placez l'appui-tête à la position souhaitée et revissez la vis (voir la section sur les couples de serrage) (Fig. 50).



### APPUI-TÊTE CONFORT

Pour régler la hauteur, desserrez le bouton et placez l'appui-tête à la hauteur désirée. Resserrez ensuite le bouton (Fig. 51).



## Options – Roulettes de transit

### ROULETTES DE TRANSIT

Il convient d'utiliser les **roulettes de transit** partout où le fauteuil est trop large lorsqu'il est équipé de ses roues arrière (par ex., à bord d'un avion, dans un bus, etc.). Après avoir retiré les roues arrière grâce à l'axe à déverrouillage rapide, vous pouvez les remplacer immédiatement par les **roulettes de transit** et reprendre votre chemin. Ces **roulettes** sont montées de manière à être environ 3 cm au-dessus du sol quand elles ne sont pas utilisées. Ainsi elles ne gênent pas le déplacement, le transport, ni l'inclinaison du fauteuil pour franchir des obstacles (comme le trottoir, les marches, etc.) (Fig. 52).



#### ⚠ ATTENTION :

Sans ses roues arrière, votre fauteuil n'a pas de freins d'immobilisation.

## Options – Conduite d'une seule main

### CONDUITE D'UNE SEULE MAIN

Pour déplacer le fauteuil en ligne droite, les deux roues doivent être propulsées. Si vous souhaitez plier le fauteuil, retirez la barre de tirage en l'enfonçant vers l'intérieur (Fig. 53).



#### ⚠ ATTENTION :

Pour éviter toute blessure, vérifiez que toutes les connexions sont bien serrées.

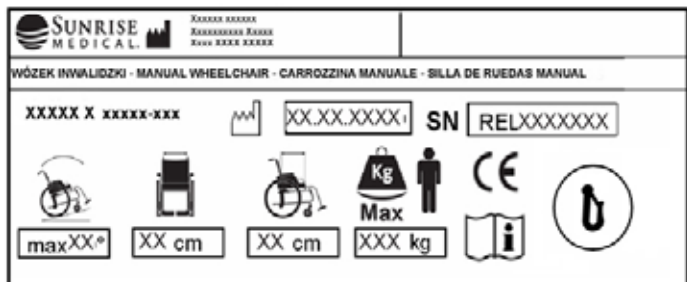


## Plaque signalétique

### Plaque signalétique

La plaque signalétique se trouve sur les tubes de traverse, ainsi que sur une étiquette dans le manuel d'utilisation. La plaque indique la dénomination exacte du modèle et fournit diverses informations techniques. Pour une commande de pièces de rechange ou une réclamation, indiquez SVP les informations suivantes :

# ECHANTILLON



RubiX<sup>2</sup>  
XXXXX-XXX

Désignation du produit/Numéro de SKU.



Pente maximale pouvant être abordée par le fauteuil équipé de roulettes anti-bascule. Dépend de la configuration du fauteuil, de la posture et des capacités physiques de l'utilisateur.



Largeur du siège.



Profondeur (maximale).



Charge maximale.



Marquage CE



Manuel d'utilisation



Essais de choc



Date de fabrication



Numéro de série.

En raison de notre politique d'amélioration continue dans la conception de nos fauteuils roulants, les spécifications des produits peuvent légèrement différer des exemples illustrés dans le présent manuel. Toutes les valeurs relatives aux poids et aux dimensions et les données de performance sont approximatives et fournies à titre d'information uniquement.

Les fauteuils de Sunrise Medical sont fabriqués conformément à la directive 93/42/CEE relative aux dispositifs médicaux.



Tous les fauteuils roulants doivent être utilisés conformément aux instructions du fabricant.

Sunrise Medical Poland  
Sp. z o.o.ul. Elektronowa 6,  
94-103 Łódź  
Polska  
Telefon: + 48 42 275 83 38  
Fax: + 48 42 209 35 23  
E-mail:  
pl@sunrisemedical.de  
Sunrise-Medical.pl

## Pneus et montage des pneus

### PNEUS ET MONTAGE DES PNEUS

Le fauteuil est équipé de série de pneu bandage. Avec des pneus pneumatiques veillez à ce que la pression de vos pneus soit toujours correcte car les caractéristiques du fauteuil peuvent changer. Quand la pression est insuffisante, il faut dépenser plus d'énergie car la résistance du fauteuil est très élevée. La maniabilité du fauteuil en est réduite. Le pneu peut éclater si la pression est trop élevée. La pression correcte est indiquée sur le bandage du pneu.

Les pneus se montent comme des pneus de vélo courants. Avant de remplacer la chambre à air, inspectez la jante et la paroi interne du pneu et enlevez tout éventuel corps étranger. Vérifiez la pression des pneus après le montage ou la réparation. Il est important pour votre propre sécurité et pour une bonne performance de votre fauteuil de vérifier la pression de l'air régulièrement et de maintenir les pneus en bon état.

### Maintenance et entretien

#### CONTRÔLE DE SÉCURITÉ :

En tant qu'utilisateur, vous êtes le mieux placé pour remarquer toute éventuelle anomalie. Par conséquent, nous vous recommandons de contrôler les éléments suivants avant chaque utilisation :

la pression des pneus est correcte.  
les freins fonctionnent correctement.  
tous les organes amovibles sont correctement attachés (par ex. accoudoirs, potences de repose-pieds, axes à déverrouillage rapide ...).  
En cas d'endommagement ou de dysfonctionnement, contactez votre revendeur agréé.

#### ENTRETIEN :

Contrôlez la pression des pneus à intervalles réguliers. Inspectez tous les pneus afin de déceler tout signe d'usure ou d'endommagement, à intervalles réguliers, au moins une fois par an. Changez les pneus dès l'apparition de signes d'usure ou d'endommagement. Inspectez le siège et la toile du dossier afin de déceler tout signe d'usure ou d'endommagement, à intervalles réguliers, au moins une fois par an. Remplacez-les dès l'apparition de signes d'usure ou d'endommagement. Inspectez tous les composants du châssis et du dossier afin de déceler tout signe d'usure ou d'endommagement, à intervalles réguliers, au moins une fois par an. Remplacez-les dès l'apparition de signes d'usure ou d'endommagement. Inspectez les freins afin de déceler tout signe d'usure ou d'endommagement, à intervalles réguliers, au moins une fois par an. Vérifiez qu'ils fonctionnent correctement et qu'ils sont faciles à actionner. Changez les freins dès l'apparition de signes d'usure ou d'endommagement.

Vérifiez que tous les boulons sont bien serrés (Voir la section sur les couples de serrage), à intervalles réguliers, au moins une fois par an. Tous les boulons essentiels à une utilisation sécurisée du fauteuil sont dotés d'écrous freinés. Les écrous de sécurité ne doivent être utilisés qu'une seule fois. Après une utilisation répétée, vous devez remplacer ces écrous.

**REMARQUE :** En présence de valeurs de couples de serrage, nous recommandons vivement l'utilisation d'un outil de mesure du couple afin de vous assurer d'avoir serré les organes à la torsion adéquate. Si votre fauteuil est sale, nettoyez-le uniquement avec un nettoyeur ménager doux. Nettoyez la toile du siège et la ceinture sous-abdominale à l'eau et au savon uniquement.

Selon la fréquence et le type d'utilisation de votre fauteuil, il est recommandé de l'amener régulièrement chez votre revendeur agréé, au moins une fois par, afin de le faire réviser par du personnel formé à cet effet.

#### ⚠ ATTENTION !

Le sable, le sel et l'eau de mer peuvent endommager les roulements des roues avant et arrière. Nettoyez et séchez soigneusement le fauteuil s'il a été exposé à ces éléments.

## CONSIGNES D'HYGIÈNE AVANT RÉUTILISATION :

Veillez à toujours apprêter le fauteuil soigneusement avant de le réutiliser et à désinfecter toutes les surfaces susceptibles d'entrer en contact avec l'utilisateur.

Pour un nettoyage rapide, vous pouvez utiliser un désinfectant à base d'alcool, similaire à ceux utilisés pour les produits et les instruments médicaux.

Suivez bien les consignes du fabricant du désinfectant de votre choix.

## Dépannage

### Le fauteuil tire sur le côté

- Vérifiez la pression des pneus.
- Vérifiez que la roue (roulement, axe) roule sans problèmes.
- Vérifiez l'angle des roues avant
- Vérifiez si les roues avant sont toutes les deux en contact avec le sol.

### Les roues avant oscillent

- Vérifiez l'angle des roues avant
- Vérifiez que les visseries sont fixes, resserrez-les le cas échéant (voir la page des couples de serrage)
- Vérifiez si les roues avant sont toutes les deux en contact avec le sol.

### Le fauteuil grince et cliquette

- Vérifiez que les visseries sont fixes, resserrez-les le cas échéant (voir la page des couples de serrage)
- Graissez légèrement les parties articulées.

### Le fauteuil a du jeu

- Vérifiez l'angle des roues avant
- Vérifiez la pression des pneus.
- Vérifiez si les roues arrière sont réglées différemment.

## Mise au rebut / Recyclage des matériaux

**REMARQUE :** Si ce fauteuil vous a été remis gratuitement, il pourrait ne pas vous appartenir. Si vous n'en avez plus usage, respectez les consignes énoncées par l'organisme qui vous l'a fourni afin de le lui rendre.

Les informations suivantes décrivent les différents matériaux composant le fauteuil en vue de la mise au rebut ou du recyclage du fauteuil et de ses matériaux d'emballage.

Vous devez respecter toute réglementation spécifique en vigueur dans votre localité relative à la mise au rebut et au recyclage (notamment le nettoyage ou la décontamination du fauteuil roulant avant sa mise au rebut).

**Aluminium :** Fourches, roues, protège-vêtement, accoudoirs, châssis, repose-jambes, poignées de poussée

**Acier :** Fixations, axes à déverrouillage rapide

**Plastique :** Poignées, capuchons des tubes, roues avant, palettes, manchettes et roue/pneu de 12 pouces

**Emballage :** Sachet en polythène de faible densité, carton

**Garniture :** Polyester tissé à revêtement PVC et mousse expansée à combustion modifiée.

La mise au rebut ou le recyclage doit être assuré par un agent spécialisé ou une décharge agréée. Vous pouvez également renvoyer votre fauteuil à votre revendeur qui se chargera de sa mise au rebut.



## Caractéristiques techniques

### Largeur totale :

- Avec roues standard, main-courante, montage étroit :  
RubiX<sup>2</sup>: LS +19 cm
- Avec freins à tambour, y inclus les main-courantes, montage étroit :  
RubiX<sup>2</sup>: LS +21 cm

### Dimensions du fauteuil plié :

- Avec roues standard :  
RubiX<sup>2</sup>: 30 cm
- Sans roues standard :  
RubiX<sup>2</sup>: 24 cm

### Charge maximum :

- RubiX<sup>2</sup> jusqu'à 125 kg
- Version renforcée RubiX<sup>2</sup> XL jusqu'à 170 kg

### Poids en kg :

- Transport (sans repose-pied, roues, protection latérale) 8,4 kg
- Transport RubiX<sup>2</sup> XL, (sans repose-pied, roues, protection latérale) : 11,4 kg
- Repose-pied (unité) : 0,8 kg
- Protège-vêtement standard (unité) : 0,8 kg
- Roues arrière 24" (bandage) (paire) : 3,8 kg

Poids maximum de l'occupant (test réalisé avec mannequin) : 125 kg, (XL = 170 kg)

## VOIR ÉGALEMENT LA PAGE 4

Conformément à la norme EN12183: 2009, toutes les pièces mentionnées dans le présent manuel (toile du siège/dossier, manchette, protège-vêtement...) sont résistantes au feu (norme EN1021-2).

Le degré d'inclinaison maximum des pentes dépend de la configuration du fauteuil, des capacités de l'utilisateur et du style de conduite. Les capacités de l'utilisateur et son style de conduite ne pouvant être prédéfinis, le degré d'inclinaison maximum des pentes ne peut être déterminé. Il revient donc à l'utilisateur, assisté de son accompagnateur, de déterminer l'inclinaison maximale afin d'éviter tout risque de basculement. Il est vivement recommandé d'installer des roulettes anti-basculer pour les utilisateurs inexpérimentés.

Le fauteuil est conforme aux normes suivantes :

- a) Exigences et méthodes d'essai pour la résistance statique, la résistance aux chocs et la résistance à la fatigue (ISO 7176-8)
- b) Exigences en matière de résistance à l'inflammation des parties rembourrées conformément à ISO 7176-16 (EN 1021-1)

## Couple réel

Sauf indication contraire, le couple de serrage pour les vis M6 est de 7 Nm.

Reportez-vous à la page 5 pour plus d'informations

## Réglage de la hauteur du siège

Reportez-vous au tableau de la page 5.

## Voorwoord

Beste klant,

Wij zijn erg blij dat u gekozen hebt voor een kwalitatief hoogstaand SUNRISE MEDICAL-product.

In deze gebruikshandleiding vindt u tal van tips en ideeën waarmee u van uw nieuwe rolstoel een betrouwbare partner in uw leven kunt maken.

Wij willen dat u tevreden bent over onze producten en diensten. Sunrise Medical werkt voortdurend aan de ontwikkeling van zijn producten. Hierdoor kunnen zich veranderingen voordoen in onze reeks producten wat betreft vorm, technologie en uitrusting. Er zijn dan ook geen juridische vorderingen mogelijk op basis van de gegevens of de afbeeldingen in deze gebruikershandleiding.

Het managementsysteem van SUNRISE MEDICAL is gecertificeerd en voldoet aan de ISO 9001, ISO 13485 en ISO 14001 normen.



Als fabrikant, SUNRISE MEDICAL, verklaren wij dat de rolstoelen voldoen aan de Europese Richtlijn 93/42/EEC, die is gewijzigd in de 2007/47/EC richtlijn.

Daarnaast voldoen zij aan de vereisten van de "Crashtest" tot ISO 7176-19

Heeft u vragen over het gebruik, het onderhoud of de veiligheid van uw rolstoel, neem dan contact op met uw plaatselijke erkende dealer van SUNRISE MEDICAL.

Is er geen erkende dealer in uw regio of hebt u vragen, neem dan schriftelijk of telefonisch contact op met Sunrise Medical:

Sunrise Medical B.V.  
Groningenhaven 18-20  
3433 PE NIEUWEGEIN  
The Netherlands  
T: +32 (0)800 – 24 800  
F: +32 (0)3 – 844 68 03  
E: info@sunrisemedical.be  
www.SunriseMedical.be

Noteer het adres en telefoonnummer van uw plaatselijke dealer in de daarvoor bestemde ruimte.

Neem in het geval van storingen contact op met de dealer en probeer zoveel mogelijk relevante informatie te geven zodat men u snel kan helpen.



**BELANGRIJK:**  
GEBRUIK UW ROLSTOEL NIET TOT U DEZE  
GEBRUIKSAANWIJZING HEEFT GELEZEN EN  
BEGREPEN.

## Legenda symbolen



### GEVAAR!

Dit betekent een waarschuwing betreffende mogelijke risico's op ernstige ongelukken of overlijden.



### WAARSCHUWING!

Dit betekent een waarschuwing betreffende mogelijke risico's op lichamelijke letsel.



### OPGELET!

Waarschuwingsberichten betreffende mogelijke technische schade.

### OPMERKING:

Informatie over bediening van het product.

## Inhoudsopgave

Voorwoord	51
Legenda symbolen	51
Inhoudsopgave	51
Gebruik	51
Toepassingen	51
Algemene veiligheidsinstructies en besturingsrestricties	52
Garantie	54
Transport	55
Handling	57
Opties – Trapdop	57
Opties - Wielvergrendelingen	57
Opties - Voetenplaten	58
Opties - Voetenplaten	58
Opties - Zwenkwielen	59
Opties - Zwenkwieladaptor	59
Opties - Rugleuning	59
Opties - Zijkanten	60
Opties – Armsteun, hemiplegie	61
Opties – Anti-tip wielen	61
Opties – Heupgordel	61
Opties – Zitdiepte	62
Opties – Duwhandvatten	63
Opties – Krukkenhouder	63
Opties - Werkblad	63
Opties - Stabilisatiestang	63
Opties – Hoofdsteunen	63
Opties – Transitwielen	63
Opties – Bediening met één hand	63
Sticker	64
Banden en montage	64
Algemeen onderhoud	64
Mogelijke problemen	65
Afvalverwerking / recycling van materialen	65
Technische gegevens	65
Koppel	65
Aanpassing zithoogte	65

## Gebruik

Lichtgewicht rolstoelen zijn uitsluitend bedoeld voor gebruikers die niet kunnen lopen of beperkt mobiel zijn. De rolstoel kan zowel binnens- als buitenshuis worden gebruikt, op een droge, stevige en vlakke ondergrond, op eigen kracht voortbewogen of door een begeleider die de rolstoel duwt.

Het maximale gewicht dat de stoel kan dragen staat vermeld bij het serienummer; dit vindt u aan de kruisstang of stabiliseerstang onder de zitting. Het maximale gewicht is het totale gewicht van de gebruiker en de op de rolstoel gemonteerde accessoires.

Aansprakelijkheid wordt uitsluitend geaccepteerd indien het product wordt gebruikt onder die specifieke omstandigheden en voor het doel waarvoor het product is gemaakt.

De verwachte levensduur van de rolstoel is vijf jaar. Monteer of gebruik GEEN onderdelen van andere partijen op de rolstoel, tenzij deze officieel goedgekeurd zijn door Sunrise Medical.

## Toepassingen

De keuze aan beschikbare accessoires en het modulaire ontwerp betekenen dat de rolstoel kan worden gebruikt door personen die niet kunnen lopen of beperkt mobiel zijn vanwege:

- Verlamming
- Amputatie (van been of benen)
- Disfunctioneren of misvorming van been of benen
- Contractuur van/letsel aan gewrichten
- Ziektes zoals hart- en circulatieafwijkingen, evenwichtsstoringen of cachexie evenals voor oudere mensen die nog kracht in het bovenlichaam hebben.

Wanneer levering/aanschaf van een rolstoel wordt overwogen, neem dan de volgende zaken in overweging: lichaams grootte, gewicht, fysieke en psychische toestand, leeftijd, leefomstandigheden en -omgeving.

## Algemene veiligheidsinstructies en besturingsrestricties

De techniek en constructie van deze rolstoel zijn ontworpen voor het bieden van maximale veiligheid. Aan de momenteel van kracht zijnde internationale veiligheidsnormen is voldaan en zij zijn overtroffen.

Toch kunnen gebruikers zichzelf in gevaar brengen door onjuist gebruik van hun rolstoel. Voor uw eigen veiligheid moeten de volgende regels absoluut worden opgevolgd.

Onprofessionele of foutieve aanpassingen of instellingen kunnen de kans op ongelukken vergroten. Als rolstoelgebruiker maakt u, net als andere weggebruikers, deel uit van het dagelijkse verkeer op straten en trottoirs. Wij herinneren u er aan dat u daardoor ook onderworpen bent aan alle verkeerswetgeving.

Wees voorzichtig tijdens uw eerste rit in deze rolstoel. Leer uw rolstoel kennen.

Voor elk gebruik, moet het volgende worden gecontroleerd:

- Vaste assen of Quick release assen op de achterwielen.
- Velcro op de zittingen en rugleuningen
- Banden, bandendruk en parkeerremmen.

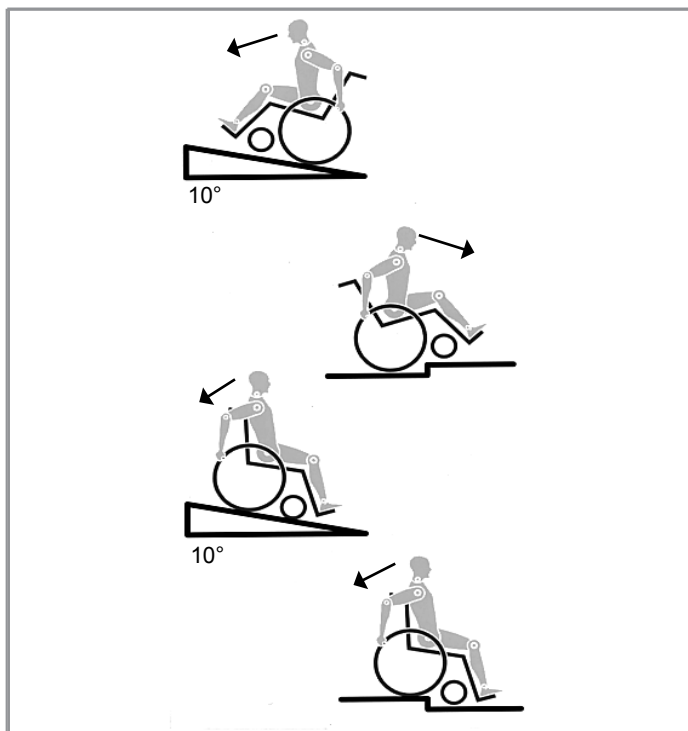
Alvorens aanpassingen van deze rolstoel te wijzigen, is het belangrijk het bijbehorende deel van de gebruiksaanwijzing te lezen. Het is mogelijk dat de rolstoel door kuilen of oneffen oppervlakken kan kantelen, in het bijzonder wanneer heuvel op of af wordt gereden. Wanneer over een trede of helling op wordt gereden, moet het lichaam naar voren zijn gebogen.



### GEVAAR!

Overschrijd NOOIT de maximale belasting van 125 kg, (XL=170 kg), voor de gebruiker plus voorwerpen die meegenomen worden op de rolstoel. Als u de maximale belasting overschrijdt, kan dit leiden tot schade aan de stoel, of u kunt omvallen of omkantelen, de controle verliezen, wat ernstig letsel aan de gebruiker en andere personen tot gevolg kan hebben.

- Draag lichte of reflecterende kleding wanneer u in het donker naar buiten gaat. Zo wordt u gemakkelijker gezien. Zorg ervoor dat de reflectoren op de zij- en achterkant van de rolstoel duidelijk zichtbaar zijn.
- Sunrise adviseert tevens gebruik te maken van verlichting.
- Om vallen en gevaarlijke situaties te voorkomen, is het verstandig om eerst met uw nieuwe rolstoel te oefenen op een vlakke ondergrond, bij goed zicht.
- Gebruik de voetplaten niet als u in of uit de rolstoel stapt.
- Deze moeten van tevoren omhoog worden geklapt en zo ver mogelijk naar buiten worden gedraaid. Plaats uzelf altijd zo dicht mogelijk bij de plek waar u naar toe wilt overstappen of overgebracht wilt worden.
- Wees voorzichtig wanneer u de rolstoel gebruikt. Bijvoorbeeld, probeer niet tegen een voorwerp op te rijden zonder te remmen (opstapje, trottoirrand) of verschillen in afstapjes.



- De parkeerremmen zijn niet bedoeld om uw rolstoel te remmen wanneer deze in beweging is. Ze zijn slechts bedoeld om te voorkomen dat uw rolstoel onbedoeld begint te rollen. Wanneer u op een oneffen oppervlak stopt, dient u altijd uw parkeerremmen te gebruiken om weggrollen te voorkomen. Gebruik altijd beide parkeerremmen anders kan uw rolstoel kantelen.
- Probeer uit welk effect een verandering op het zwaartepunt van de rolstoel heeft; bijvoorbeeld op hellingen of wanneer u over obstakels probeert te rijden. Doe dit met de hulp van een begeleider.
- Met extreme instellingen (bijv. achterwielen in de voorste positie) en minder dan perfecte houding, kan de rolstoel zelfs op een effen oppervlak omkantelen.
- Leun met uw bovenlichaam naar voren als u hellingen en opstapjes opgaat.
- Leun met uw bovenlichaam verder naar achteren, wanneer u van een helling of afstapje afgaat. Probeer nooit diagonaal een helling op of af te gaan.
- Gebruik nooit een roltrap, aangezien u hier vanaf kunt vallen wat ernstig letsel kan veroorzaken.
- Gebruik de rolstoel niet op hellingen steiler dan  $> 10^\circ$ . De werking van de Dynamic beveiliging hangt af van de instellingen van de stoel, de capaciteiten van de gebruiker en de rijstijl. Omdat Sunrise Medical vooraf niet kan voorzien hoe de capaciteiten en rijstijl van de gebruiker is, kan de maximale veilig te nemen helling niet worden bepaald. Daarom moet dit door de gebruiker worden bepaald, samen met een begeleider, die kan voorkomen dat de rolstoel kantelt. Sunrise Medical adviseert onervaren gebruikers veiligheidswielen te laten installeren.
- Het is mogelijk dat de rolstoel door kuilen of oneffen oppervlakken kan kantelen, in het bijzonder wanneer heuvel op of af wordt gereden.
- Gebruik de rolstoel niet op modderige of bevroren (gladde) ondergrond.
- Daar waar voetgangers niet zijn toegestaan, mag u ook niet met de rolstoel rijden.
- Steek nooit uw handen tussen de spaken of tussen het achterwiel en wielvergrendeling terwijl u rijdt. Dit kan leiden tot letsel aan de handen.
- Met name bij het gebruik van lichtgewicht hoepels, worden vingers gemakkelijk warm bij het remmen op hoge snelheid of op steile hellingen.
- Gebruik geen trappen zonder de hulp van een begeleider. Er bestaan middelen om u te helpen, bijv. hellingen op te gaan of de lift te gebruiken. Wij raden u aan deze te gebruiken. Als deze niet beschikbaar zijn, dient de rolstoel naar achteren te worden gekanteld en over de treden te worden geduwd (2 helpers), maar mag nooit worden getild. We adviseren gebruikers zwaarder dan 100 kg niet op deze wijze over te brengen. Over het algemeen moeten anti-tip wielen vooraf zodanig worden ingesteld dat ze de treden niet kunnen raken, omdat dit tot een ernstige val zou kunnen leiden. Naderhand moeten de anti-tip wielen weer in de oude positie worden teruggebracht.
- Zorg ervoor dat de begeleider de rolstoel alleen aan stevig bevestigde onderdelen vasthoudt. Gebruik geen verwijderbare onderdelen (bijvoorbeeld de voetsteunen of de zijbeschermers).
- Wanneer u de rolstoellift gebruikt, dient u ervoor te zorgen dat de aangebrachte anti-tip wielen buiten de gevarezone zijn geplaatst.
- Gebruik de remvergrendeling om de stoel vast te zetten wanneer u zich op ongelijke grond bevindt of wanneer de rolstoel bijvoorbeeld in een auto wordt geplaatst.
- Wanneer u de rolstoellift gebruikt, dient u ervoor te zorgen dat de aangebrachte anti-tip wielen buiten de gevarezone zijn geplaatst.
- Gebruik de remvergrendeling om de stoel vast te zetten wanneer u zich op ongelijke grond bevindt of wanneer de rolstoel bijvoorbeeld in een auto wordt geplaatst.
- Wanneer gebruik wordt gemaakt van een speciaal voor gehandicaptenvervoer ingericht voertuig, dienen de personen die worden vervoerd, voor zover mogelijk, gebruik te maken van de stoelen van het voertuig en het juiste gordelsysteem. Alleen op deze wijze genieten de personen optimale bescherming indien een ongeluk plaatsvindt.

## GEVAAR!

- Afhankelijk van de diameter en instelling van de zwenkwielen evenals de instelling van het zwaartepunt van de rolstoel, kunnen de zwenkwielen op hoge snelheid beginnen te trillen. Hierdoor kunnen de zwenkwielen geblokkeerd raken en kan de rolstoel omkantelen. Zorg er daarom goed voor dat de zwenkwielen goed zijn aangepast (zie het hoofdstuk "Zwenkwielen").
- Rijd met name niet op een helling zonder remmen en rijd op lage snelheid. We raden aan dat nieuwe gebruikers anti-tip gebruiken.
- Met anti-tip wielen kan de stoel niet onbedoeld achterover kantelen. Ze mogen in geen geval de transitwielen vervangen en gebruikt worden om een persoon in een rolstoel te vervoeren als de achterwielen zijn verwijderd.
- Wanneer u naar voorwerpen (die zich voor, aan de zijkant of achter de rolstoel bevinden) reikt, zorg er dan voor dat u niet te ver uit de rolstoel leunt, want als u het zwaartepunt verandert, bestaat het gevaar dat u omkantelt of omver rolt. Als u extra belasting (rugzak of gelijksoortige voorwerpen) aan de buizen van de rugleuning hangt, kan dit van invloed zijn op de stabiliteit aan de achterkant van uw stoel, vooral in combinatie met rugleuningen die achterover kunnen leunen. Hierdoor kan de stoel naar achteren kantelen en letsel veroorzaken.
- Gebruikers met een amputatie vanaf de dij, moeten anti-tip wielen gebruiken.
- Controleer voor vertrek of de bandenspanning correct is. Voor de achterwielen moet de druk ten minste 3,5 bar (350 kPa). De maximale druk staat aangegeven op de band. De knie-remhendels functioneren alleen bij voldoende bandenspanning en wanneer ze correct zijn ingesteld (zie ook het hoofdstuk "Remmen").
- Indien de zitting of rugbekleding van de rugleuning beschadigd zijn, dient u deze direct te vervangen.
- Wees voorzichtig met vuur, en vooral met brandende sigaretten. De banden van de rugleuning en zitting kunnen vlam vatten.
- Wanneer de rolstoel gedurende lange tijd wordt blootgesteld aan direct zonlicht, of koude temperaturen, dan kunnen rolstoelonderdelen (bijv. het frame, de beensteunen, de remmen of de zijbeschermers) heel warm (>41°C) / of heel koud (<0°) worden.
- Zorg er altijd voor dat de quick release assen op de achterwielen, indien deze zijn gemonteerd, op de juiste wijze zijn afgesteld en vergrendeld (kogellagers van de vergrendelende bal moeten volledig zichtbaar zijn door het ashuis). Wanneer de knop op de quick release as niet ingedrukt is, kan het achterwiel niet worden verwijderd.

## OPGELET!

- Het effect van de kniehevelrem evenals de algemene rijeigenschappen hangen af van de bandendruk. De rolstoel is aanzienlijk lichter en gemakkelijker te manoeuvreren wanneer de achterwielen op de juiste spanning zijn en beide dezelfde spanning hebben.
- De banden van de rolstoel moeten voldoende profiel hebben!
- Let op dat u zich aan alle verkeerswetten moet houden wanneer u zich op de openbare weg begeeft.
- Wees altijd voorzichtig wanneer u de rolstoel aanpast.
- Wijzigingen waarvoor gereedschappen nodig zijn, moeten altijd door de erkende dealer worden uitgevoerd.
- Reinig de rolstoel regelmatig om roest en corrosie door zout te voorkomen.
- Controleer de schroeven, bouten en moeren om te controleren of ze goed vastzitten zodat er geen onderdelen van de rolstoel los gaan zitten.
- Bij bewegende onderdelen is er altijd gevaar op beknelde vingers. Wees voorzichtig wanneer u iets wilt veranderen aan de rolstoel.
- Het kan zijn dat de getoonde en beschreven product in deze handleiding niet op elk detail precies hetzelfde als uw eigen model is. Alle instructies zijn echter belangrijk, ongeacht de verschillen in detail.
- De fabrikant houdt zich het recht voor zonder opgaaf gegevens met betrekking tot gewicht, maten of andere technische gegevens zoals genoemd in deze handleiding, te wijzigen. Alle afbeeldingen, maten en mogelijkheden zoals getoond in deze handleiding zijn slechts indicatief en bevatten geen specificaties.

## WAARSCHUWING!

**VERSTIKKINGSGEVAAR** - In dit mobiliteitshulpmiddel zijn kleine onderdelen verwerkt die onder bepaalde omstandigheden een verstikkingsgevaar voor kleine kinderen kunnen vormen.

### Levensduur

De verwachte levensduur van dit product is 5 jaar, op voorwaarde dat:  
het product wordt gebruikt in strikte overeenkomst met het bedoelde gebruik;  
voldaan wordt aan alle eisen ten aanzien van service en onderhoud.

**Garantie:****DIT HEEFT OP GEEN ENKELE WIJZE INVLOED OP UW WETTELIJKE RECHTEN.****Garantievoorwaarden**

- 1) De reparatie of vervanging wordt door een erkende Sunrise Medical dealer uitgevoerd.
- 2) Om aan de garantievoorwaarden te voldoen dient u, bij eventueel noodzakelijke servicewerkzaamheden op uw rolstoel krachtens deze overeenkomst, onmiddellijk contact op te nemen met de aangewezen onderhoudsmonteur van Sunrise Medical met nauwkeurige gegevens over het soort probleem dat u ondervindt. Indien u de rolstoel gebruikt buiten de regio van de aangewezen Sunrise Medical onderhoudsmonteur, wordt werk krachtens de "Garantievoorwaarden" uitgevoerd door een andere, door de fabriek aangewezen, onderhoudsmonteur.
- 3) Indien een onderdeel van de rolstoel gerepareerd of vervangen moet worden, als gevolg van een specifiek gebrek van fabricage of materiaal, binnen 24 maanden, (5 jaar voor het frame en het kruisframe) vanaf de datum waarop het eigendom van het product werd overgedragen naar de oorspronkelijke koper, en op voorwaarde dat deze koper nog steeds de eigenaar is, wordt het onderdeel of worden de onderdelen zonder kosten vervangen of gerepareerd, op voorwaarde dat de rolstoel wordt teruggebracht naar de erkende dealer.

**OPMERKING:**

Deze garantie is niet overdraagbaar.

- 4) Deze garantie dekt eveneens alle gerepareerde of vervangen onderdelen voor de resterende garantieperiode van de rolstoel.
- 5) Wij geven een extra 24 maanden garantie voor reserveonderdelen die na de aanvang van de oorspronkelijke garantie zijn aangebracht.
- 6) Aan slijtage onderhevige onderdelen worden normaliter van de garantie uitgesloten, behalve in het geval dat voortijdige slijtage van het onderdeel het directe gevolg van een fabricagefout is. Tot verbruiksgoederen worden onder andere gerekend: bekleding, banden, interne buizen en dergelijke.
- 7) Bovenstaande garantievoorwaarden gelden voor alle productonderdelen, voor modellen die voor de volle handelsprijs gekocht zijn.
- 8) Onder normale omstandigheden wordt geen verantwoordelijkheid aanvaard wanneer de rolstoel reparatie of vervanging behoeft als een rechtstreeks gevolg van het feit dat:
  - a) Het product of onderdeel is niet onderhouden in overeenstemming met de aanbevelingen van de fabrikant, zoals uiteengezet in de gebruikershandleiding en/of de onderhoudsinstructies. Er zijn accessoires gebruikt die niet gespecificeerd zijn als originele onderdelen.
  - b) De rolstoel of het onderdeel is beschadigd door nalatigheid, ongeval of oneigenlijk gebruik.
  - c) Wijzigingen aan de rolstoel of onderdelen daarvan, die niet in overeenstemming zijn met de specificaties van de fabrikant, of het uitvoeren van reparaties alvorens contact werd opgenomen met de onderhoudsmonteur/dealer.

## Transport



### GEVAAR!

Indien dit advies wordt genegeerd ontstaat het risico op ernstig letsel of overlijden.

Het vervoer van uw rolstoel in een voertuig:

Een in een voertuig vastgezette rolstoel biedt niet dezelfde veiligheid als een normale stoel en veiligheidssysteem in dat voertuig. Sunrise Medical adviseert altijd om de rolstoelgebruiker over te brengen naar een stoel van het voertuig. Sunrise Medical erkent dat het niet altijd praktisch is om een rolstoelgebruiker over te brengen naar een gewone stoel in het voertuig. Wanneer de gebruiker vervoerd moet worden in de rolstoel, moet onderstaand advies worden opgevolgd:

1. Controleer of het voertuig over de juiste hulpmiddelen beschikt om een passagier in een rolstoel te vervoeren. Controleer tevens of de methode om in en uit het voertuig te komen, geschikt zijn voor uw type rolstoel. De vloer van het voertuig moet sterk genoeg zijn om het totale gewicht van de rolstoelgebruiker, de rolstoel en de accessoires te dragen.

2. Rondom de rolstoel dient voldoende ruimte te zijn om de spanbanden en veiligheidsgordels te bevestigen en de rolstoel goed en gemakkelijk vast te zetten en los te maken.

3. De stoel met daarin de gebruiker moet in de rijrichting worden geplaatst. De rolstoel dient te worden vastgezet met spanbanden en voor de gebruiker dienen veiligheidsgordels gebruikt te worden, waarbij wordt voldaan aan de normen ISO 10542 of SAE J2249 en aan de WTORS instructies van de fabrikant.

4. De rolstoel is niet getest in andere posities binnen een voertuig. De rolstoel met daarin de gebruiker mag nooit in zijwaartse richting worden vervoerd (Fig. A).

5. De rolstoel moet worden vastgezet met een bevestigingssysteem dat voldoet aan ISO 10542 of SAE J2249, met niet-verstelbare banden aan de voorzijde en verstelbare banden aan de achterzijde, die worden bevestigd door middel van karabijnhaken/S-haken en gesp en gordel bevestigingen. De bevestigingen bestaan doorgaans uit vier aparte banden die vastgemaakt worden aan iedere hoek van de rolstoel.

6. De verankeringsbanden moeten aan het frame van de rolstoel worden bevestigd zoals aangegeven in de tekening op de volgende pagina. Ze mogen niet worden bevestigd aan accessoires, wielen, remmen, voetsteunen en dergelijke.

7. De verankeringsbanden dienen in een hoek van 45 graden zo dicht mogelijk bij de stoel bevestigd te worden; de banden moeten strak vastgezet worden in overeenstemming met de instructies van de fabrikant.

8. De verankeringspunten, frame en structurele onderdelen van de rolstoel mogen niet zonder overleg met de fabrikant worden gewijzigd of vervangen. Dergelijke wijzigingen kunnen de rolstoel van Sunrise Medical ongeschikt maken voor transport in een voertuig.

9. Zowel de heupgordel als de veiligheidsgordel voor het bovenlichaam moet worden gebruikt om de rolstoelgebruiker goed in de rolstoel te laten zitten. Hierdoor wordt het risico verkleind dat hoofd en borst in botsing komen met onderdelen van het voertuig. Tevens wordt risico verkleind dat de rolstoelgebruiker of de andere inzittenden van het voertuig geblesseerd raken. (Fig. B) De bovenlichaamgordel dient bevestigd te worden aan de "B" stang van het voertuig. Indien dit wordt nagelaten, wordt het risico van ernstig (onder)buikletsel van de gebruiker vergroot.

10. Tijdens het transport dient men gebruik te maken van een hoofdsteen die geschikt is voor transport (zie etiket van de hoofdsteen). Deze moet gedurende het hele transport op de juiste wijze zijn aangebracht.

11. Lichaamsondersteunende gordels (zoals heupgordels) mogen niet worden gebruikt als veiligheidsgordel voor een rolstoelgebruiker, tenzij deze voldoen aan de normen zoals gespecificeerd in ISO 7176-19:2001 of SAE J2249.

12. De veiligheid van de rolstoelgebruiker tijdens het transport hangt af van de nauwkeurigheid waarmee de verankeringsbanden worden bevestigd. De persoon/personen die de verankering tot stand brengt/brengen, moet(en) op juiste wijze zijn geïnstrueerd en getraind.

13. Verwijder waar mogelijk hulpmiddelen en accessoires en berg deze veilig op. Hierbij kunt u denken aan: Krukken, losse kussens en werkbladen.

14. Een scharnierende/opgetilde beensteun mag zich niet in opgetilde positie bevinden tijdens transport van de rolstoel en gebruiker wanneer de rolstoel is verankerd met verankeringsbanden en veiligheidsgordels.

15. Een gekantelde rugleuning moet in rechte positie worden gezet.

16. De handremmen moeten goed worden vastgezet.

17. Veiligheidsgordels moeten worden bevestigd aan de "B" stang van het voertuig en mogen niet van het lichaam afgehouden worden door bijvoorbeeld armsteunen of wielen.

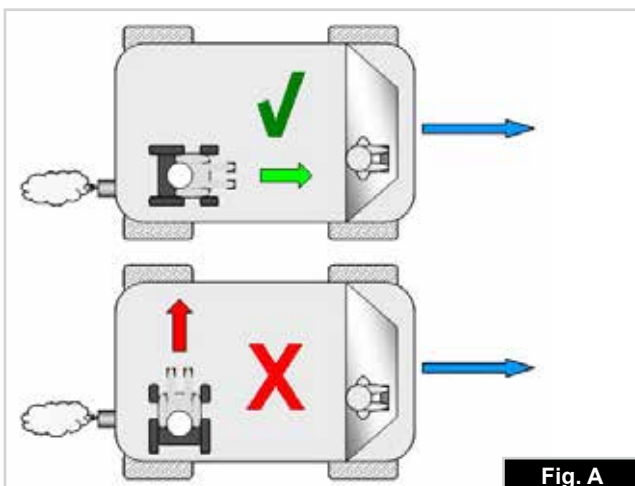


Fig. A

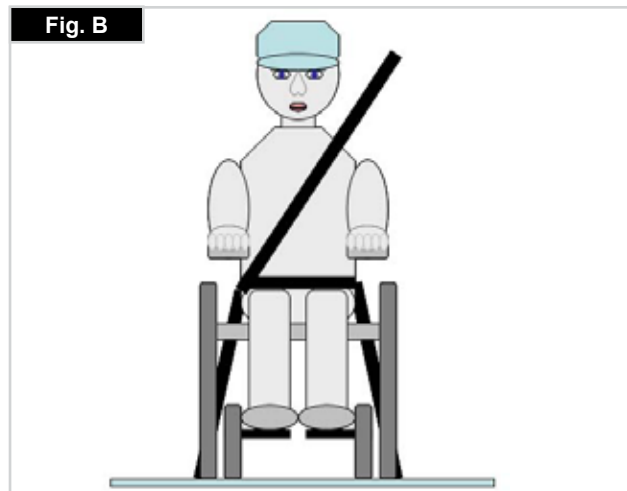


Fig. B

**INSTRUCTIES VOOR VEILIGHEIDSGORDELS:**

1. De heupgordel moet laag worden bevestigd over de voorzijde van de heup, zodanig dat de hoek van de heupgordel zich binnen de horizontale voorkeurszone van 30 tot 75 graden bevindt. Hoe groter de hoek binnen deze begrenzing, hoe beter, maar de hoek mag nooit groter zijn dan 75 graden. (Fig. C)

2. De bovenlichaamsgordel moet over de schouder en diagonaal over de borst worden gedragen, zoals op de afbeelding weergegeven. Fig. D en E  
De gordels moeten zo strak mogelijk worden gebruikt, maar moeten altijd comfortabel zijn voor de gebruiker.  
Veiligheidsnetten mogen niet gedraaid zitten tijdens gebruik.  
De gordel voor het bovenlichaam moet dwars over de schouder worden bevestigd, zoals getoond in afbeeldingen D en E.

3. De bevestigingspunten van de stoel bevinden zich aan de binnenzijde aan de voorkant van het frame vlak boven het zwenkwiel en aan het frame aan de achterzijde. De banden worden rond het frame aan de zijkanten geplaatst waar de horizontale en verticale buizen van het frame elkaar kruisen. (Zie Fig. G - K)

4. Op het frame van de rolstoel wordt door middel van het symbool voor het verankeringspunt (Fig. F) aangegeven waar de verankeringsbanden geplaatst moeten worden. De banden worden strak getrokken nadat de banden aan de voorzijde zijn aangebracht om de rolstoel te borgen.

**GEWICHT VAN GEBRUIKER MINDER DAN 22 KG**

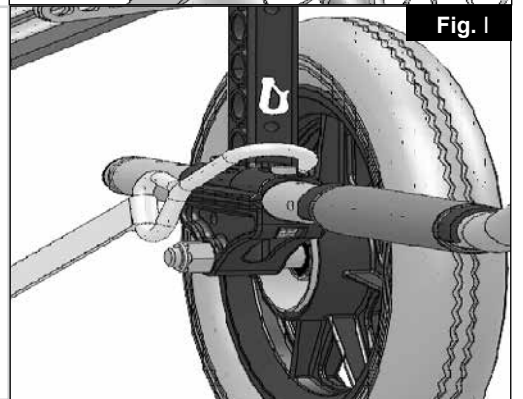
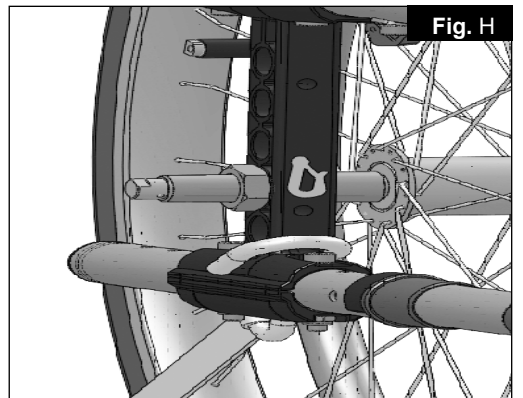
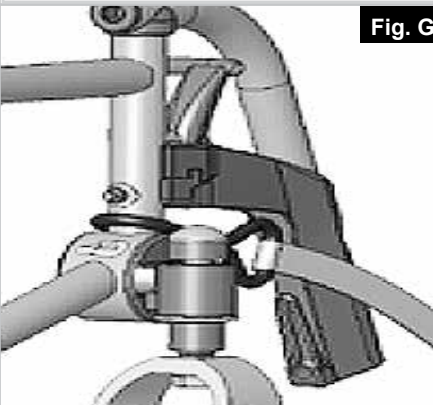
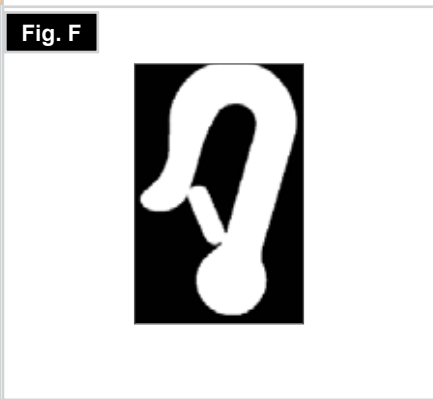
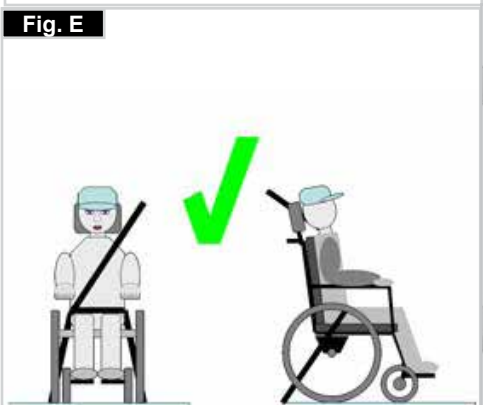
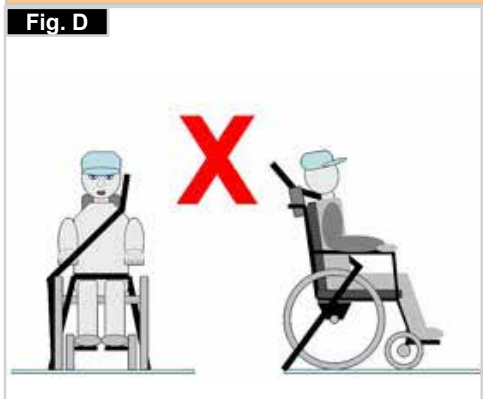
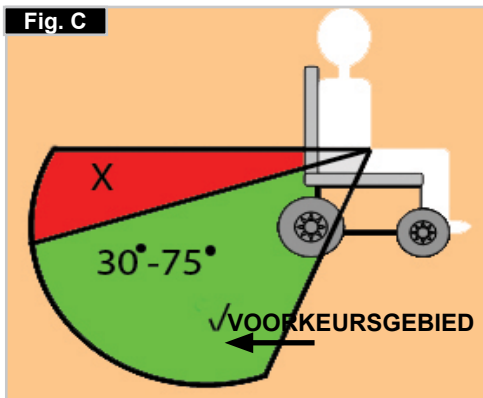
Wanneer de gebruiker die wordt vervoerd een kind is dat minder dan 22kg weegt, en het betrokken voertuig minder dan acht (8) inzittenden heeft, wordt het aanbevolen dat het kind wordt overgeplaatst naar een kinderzitje met veiligheidsgordels dat voldoet aan de UN-ECE R44 regelgeving.

Dit type gordelsysteem biedt een doelmatiger gordelsysteem dan het conventionele 3-puntsgordelsysteem. Daarbij bieden sommige kinderzitjes ook extra ondersteunende elementen waardoor de houding van het kind wanneer het zit, beter wordt ondersteund. In sommige omstandigheden kunnen de ouders of zorgverleners overwegen om het kind in de rolstoel te laten zitten tijdens transport, als de rolstoelinrichting het kind veel lichaamsondersteuning en comfort biedt.

In dergelijke omstandigheden adviseren we een risicobeoordeling te laten uitvoeren door uw medische deskundige of andere relevante personen die over de vereiste kennis beschikken.

**DE PLAATSIJG VAN VERANKERINGSBANDEN OP DE ROLSTOEL:**

1. De plaats van de afbeeldingen die aangeven waar aan de voor- en achterzijde de spanbanden geplaatst moeten worden (Fig. G-H-I).
2. Positie aan de voorzijde (Fig. G) en achterzijde, (Fig. H-I), van de sticker en het verankeringspunt.
3. Zij aanzicht van verankeringsbanden, (Fig. J).





## Handling

### INKLAPPEN

Verwijder eerst het zitkussen en de gepolsterde rugleuning van de rolstoel en kantel de voetplaat of de onafhankelijke voetsteunen naar boven. Pak de zitting of de buizen van de rugleuning in het midden en trek hem omhoog. Zo klapt u de rolstoel in. Om uw rolstoel zo klein mogelijk te maken, zodat hij bijvoorbeeld in een auto past, kunt u de voetsteunen verwijderen (afhankelijk van het model). Duw daarvoor de grendel van de voetsteun naar binnen en draai de voetsteun naar buiten. Vervolgens kunt u de voetsteun gewoon uit de ontvangbuis trekken (Fig. 1).



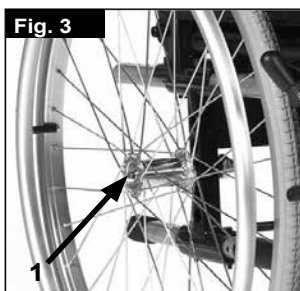
### UITKLAPPEN

Druk op de zittingbuis (zie afbeelding). Uw rolstoel is dan uitgeklapt. Klik de zitbuizen in hun positie in het zadel van de zitting. Dat gaat makkelijker als u de rolstoel wat opzij kantelt. Zo haalt u het gewicht immers weg van één achterwiel en kunt u de rolstoel makkelijker uitklappen. **Zorg ervoor dat uw vingers niet tussen de gekruiste buizen raken.** Breng de stoel en de gepolsterde rugleuning opnieuw aan (Fig. 2).



### Quick release assen voor achterwielen

De achterwielen zijn uitgerust met quick release assen. Zo kunt u de wielen zonder gereedschap monteren of verwijderen. Om een wiel te verwijderen, drukt u gewoon de quick release knop op de as in (1) en trekt u het wiel weg van de as (Fig. 3).

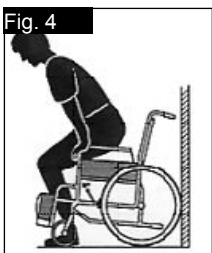


### OPGELET:

**Houd de quick release as ingedrukt terwijl u de as in het frame steekt om de achterwielen te monteren. Laat de knop los om het wiel op zijn plaats te vergrendelen. De quick release knop zou weer op zijn oorspronkelijke plaats moeten klikken.**

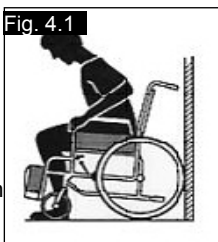
### ZONDER HULP IN UW ROLSTOEL GAAN ZITTEN (FIG. 4.0)

- Duw de rolstoel tegen een muur, of een stevig meubel.
- Zorg dat de rolstoel op de rem staat;
- De voetplaten moeten omhoog worden geklapt;
- Nu kunt u zich in de rolstoel laten zakken.
- Duw vervolgens de voetsteunen naar beneden; nu kunt u uw voeten hierop zetten, voor de hielbeugels.



### ZONDER HULP UIT UW ROLSTOEL KOMEN (FIG. 4.1)

- Zorg dat de rolstoel op de rem staat;
- De wegklapbare voetplaten moeten worden weggeklapt;
- Steun op de armsteunen, buig enigszins voorover om uw lichaamsgewicht naar de voorzijde van de stoel te brengen. Zet uw beide voeten stevig op de grond, één voet naar achteren en duw uzelf omhoog naar een staande positie.



### ⚠ WAARSCHUWING!

- Ga bij het opstaan niet op de voetsteunen staan, hierdoor kantelt de rolstoel. Wanneer u wilt plaatsnemen in uw rolstoel, is het gemakkelijker en veiliger wanneer u de voetplaten omhoog klapt of verwijdert. Zo zitten ze u niet in de weg.
- Zet de rolstoel altijd op de rem (wielremmen) bij het in- of uitstappen of overbrengen van de gebruiker.

## Opties – Trapdop

### TRAPDOP

Begeleiders gebruiken de trapdop om een rolstoel over een obstakel te kantelen. Trap gewoon op de buis om een rolstoel bijvoorbeeld over een stoep of een trede te duwen (Fig. 5).



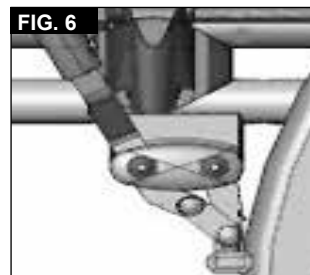
### ⚠ OPGELET!

Sunrise Medical adviseert nadrukkelijk om een trapdop te gebruiken op modellen met transitwielen. Ook als de rolstoel voornamelijk zal worden voortbewogen door een begeleider, adviseren wij het gebruik van een trapdop. Hierdoor wordt voorkomen dat schade aan de rugbuizen ontstaat doordat hieraan wordt getrokken wanneer de rolstoel over obstakels wordt geduwd.

## Opties - Wielvergrendelingen

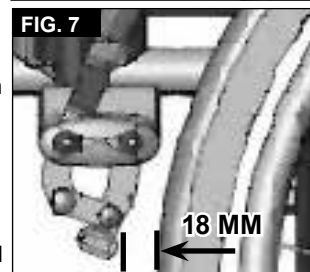
### WIELVERGREDELINGEN

Uw rolstoel heeft twee wielvergrendelingen. Ze komen rechtstreeks op de banden terecht. Om de vergrendelingen te gebruiken, drukt u beide vergrendelingshendels naar voren tot tegen de aanslagen. Om de vergrendeling ongedaan te maken, trekt u de hendels weer naar hun oorspronkelijke positie.



Het remvermogen vermindert wanneer:

- het loopvlak van de band versleten is;
- de bandendruk niet voldoende is;
- de banden nat zijn;
- de wielvergrendelingen niet goed afgesteld zijn.



De parkeerremmen zijn niet bedoeld om als rem voor een bewegende rolstoel te dienen. U mag de wielvergrendelingen dan ook niet gebruiken om een bewegende rolstoel te doen remmen. Rem altijd met behulp van de hoepels. Zorg ervoor dat de afstand tussen de banden en de wielvergrendelingen voldoet aan de vermelde specificaties. Om die afstand aan te passen, draait u de schroef los en stelt u de juiste afstand in. Draai vervolgens de schroeven weer aan (Fig. 6-7).

### ⚠ OPGELET!

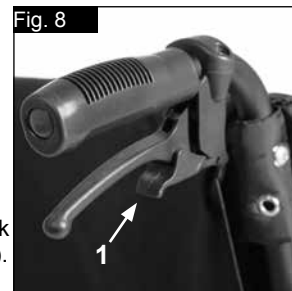
Telkens wanneer u de achterwielen hebt bijgesteld, moet u nagaan of de afstand tot de wielvergrendelingen in orde is. Pas die indien nodig aan.

Wanneer u de wielvergrendeling te dicht bij het wiel monteert, zal deze moeilijker te hanteren zijn. Hierdoor kan de verlengde hendel breken!

De hendel kan ook breken wanneer u op de verlenging gaat leunen tijdens transfers! Opspattend water en vuil van de banden kan slecht functioneren van de wielvergrendelingen veroorzaken.

### TROMMELREMME

Trommelremmen helpen een begeleider om veilig en goed te remmen. U kunt deze ook gebruiken met behulp van een vergrendelingshendel (1) om te voorkomen dat u weggrolt. U moet de hendel in zijn plaats horen klikken. Trommelremmen werken onafhankelijk van de luchtdruk in de banden (Fig. 8).



### ⚠ WAARSCHUWING!

U mag de trommelremmen alleen door erkende dealers laten aanpassen. Gebruik de 2 remmen altijd tegelijkertijd! Wanneer u 1 rem gebruikt, zal de rolstoel van rijrichting veranderen. Trommelremmen kunnen uitsluitend als dynamische rem worden gebruikt om de rolstoel te stoppen wanneer deze in beweging is. Schakel altijd de wielvergrendeling in tijdens een lange of korte stop, of bij het overplaatsen van de gebruiker, om de rolstoel op zijn plaats te houden.

## BEDIENING MET ÉÉN HAND

Uw rolstoel is uitgerust met twee sets wielvergrendelingen die kunnen worden bediend van de rechter- of linkerkant. Ze komen rechtstreeks op de banden terecht. Om de vergrendeling aan te wenden duwt u de vergrendelinghendel zo ver mogelijk naar voren (Fig. 9). Om de vergrendeling ongedaan te maken, trekt u de hendel weer in zijn oorspronkelijke positie.



- Het remvermogen vermindert wanneer:
  - het loopvlak van de band versleten is;
  - de bandendruk niet voldoende is;
  - de banden nat zijn;
  - de wielvergrendelingen niet goed afgesteld zijn.



De parkeerremmen zijn niet bedoeld om als rem voor een bewegende rolstoel te dienen. U mag de wielvergrendelingen dan ook niet gebruiken om een bewegende rolstoel te doen remmen. Rem altijd met behulp van de hoepels. Zorg ervoor dat de afstand tussen de banden en de wielvergrendelingen voldoet aan de vermelde specificaties. Om die afstand aan te passen, draait u schroef los en stelt u de juiste afstand in. Draai de schroef weer vast (zie de pagina over draaimoment) (Fig. 10).

### ⚠ OPGELET:

Telkens wanneer u de achterwielen hebt bijgesteld, moet u nagaan of de afstand tot de wielvergrendelingen in orde is. Pas die indien nodig aan.

Wanneer u de wielvergrendeling te dicht bij het wiel monteert, zal deze moeilijker te hanteren zijn. Hierdoor kan de verlengde hendel breken! De hendel kan ook breken wanneer u op de verlenging gaat leunen tijdens transfers! Opspattend water en vuil van de banden kan slecht functioneren van de wielvergrendelingen veroorzaken.

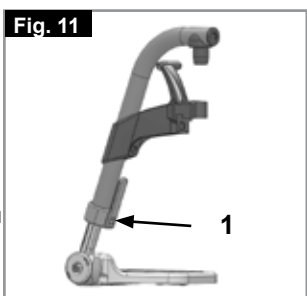
## Opties - Voetenplaten

### VOETENPLATEN:

De voetplaten kunnen worden opgeklapt om makkelijker in en uit uw rolstoel te komen.

### LENGTE VAN HET ONDERBEEN:

Voor gebruikers met langere benen, kan de voetsteun tot het juiste niveau worden verlaagd met gebruik van de schroeven (1). Draai de schroeven los, druk de buizen naar de gewenste positie en draai de schroeven daarna opnieuw aan (zie onderdeel over draaimoment). Er moet altijd 2,5 centimeter ruimte tussen de voetplaten en de grond zijn, (Fig. 11).



### HOEKINSTELBARE VOETENPLANK

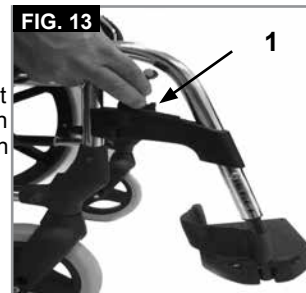
Deze kan worden aangepast om de hoek met de grond te wijzigen. Draai de schroef los, trek hem naar binnen, stel hem op de gewenste hoek in en druk hem er dan op. Draai na het uitvoeren van de aanpassing, de schroef opnieuw aan. Controleer na aanpassingen altijd of alle schroeven op de juiste wijze zijn aangedraaid (zie bladzijde 5 draaikracht (torque)). Zorg ervoor dat u de minimale ruimte ten opzichte van de grond houdt (2,5 cm) (Fig. 12).



## Opties - Voetenplaten

### VOETSTEUNEN EN ONTGRENDELKNOP

De voetsteunen kunnen in- en uitwaarts worden gezwaaid onder het zitjuk. Bij het aanbrengen van de voetsteunen, moeten de voetsteunen naar binnen of buiten zijn gericht. Draai de voetsteunen dan naar de middenlijn tot hij op zijn plaats vastklikt. Om de voetsteunen te verwijderen trekt u aan de hendel (1), zwaait u de voetsteunen naar binnen of buiten en heft u ze op om ze te verwijderen. Zorg ervoor dat de voetsteun goed op zijn plaats vastklikt, (Fig. 13).



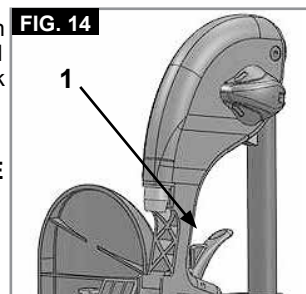
### ⚠ OPGELET!

- De voetsteunen mogen niet worden gebruikt om de stoel te tillen of te dragen wanneer de gebruiker in de stoel zit.
- Gebruik de voetplaten niet als u in of uit de rolstoel stapt. Deze moeten voordien omhoog worden gekanteld of de voetsteun moet zover mogelijk naar buiten worden geduwd.

### OPTIE LENGTE COMPENSERENDE BEENSTEUN

(Fig. 14-16)

Om de voetplaat te verwijderen, trekt u aan de hendel (1), zwaait u de voetplaat naar buiten en tilt u de beensteun op om deze te verwijderen.

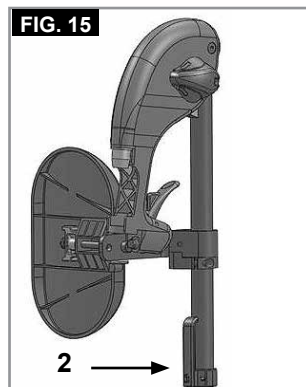


### AANPASSING HOOGTE:

De onderbeenlengte is zeer flexibel en kan worden aangepast door de schroef (2) los te maken. Stel de geschikte hoogte in en draai de schroef weer aan.

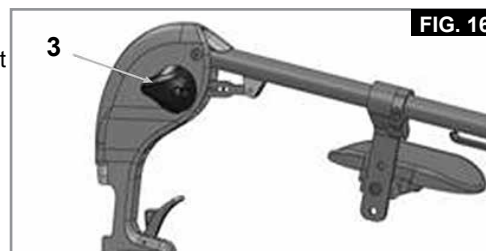
### ⚠ OPGELET!

De afstand tussen de voetplaat en de grond moet minstens 40 mm zijn.



### AANPASSING HOEK:

Duw met één hand de hendel (3) naar beneden, terwijl u met de andere hand de beensteun ondersteunt om het gewicht weg te nemen. Wanneer een geschikte hoek is bereikt, laat u de hendel los; de beensteun zal in één van de vooraf ingestelde posities vergrendelen.



## AANPASSEN VAN HET KUITKUSSEN

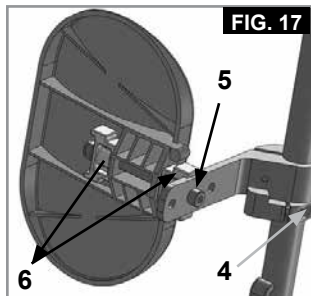
(Fig. 17).

Het kuitkussen kan als volgt worden aangepast:

Hoogte: draai de bout (4) open en verplaats het kuitkussen naar de gewenste positie. Door het kuitkussen te draaien kan ook de hoek worden aangepast.

Diepte: draai de bout (5) open en beweeg het kuitkussen in de gewenste positie.

Breedte: draai de bout (5) open en plaats de ringetjes (6) achter het kussen, om de gewenste positie in te stellen.



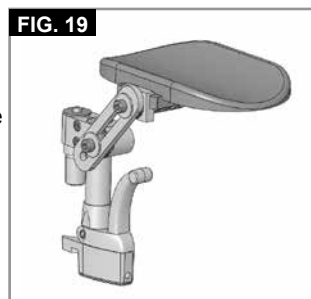
### ⚠ WAARSCHUWING!

- Houd uw handen weg van het aanpassingsmechanisme tussen het frame en de beweegbare onderdelen van de voetsteun terwijl u de voetsteun verhoogt of verlaagt.
- Controleer altijd of de bevestigingsmaterialen goed vast zitten.
- De voetsteunen mogen niet worden gebruikt om de rolstoel op te tillen of te dragen.
- Vingers kunnen bekneld raken! Als de voetsteunen omhoog of omlaag worden bewogen, mag u uw vingers niet in het aanpassingsmechanisme tussen de bewegende onderdelen van de voetsteun plaatsen.

## AMPUTATIEBESCHERMER

(Fig. 18).

De amputatiebeschermer kan in elke richting, naar wens worden aangepast.



## Opties - Zwenkwieien

### ZWENKWIELEN, BALHOOFDEN, VOORVORKEN

Het kan gebeuren dat de rolstoel iets afwijkt naar links of naar rechts of dat de zwenkwieien wiebelen. Dat kan door de volgende zaken komen:

- De voorwaartse en/of achterwaartse wielbeweging is niet goed ingesteld.
- De camber is niet goed afgesteld.
- De luchtdruk van het zwenkwiel en/of van het achterwiel is niet goed; de wielen draaien niet soepel genoeg.

De rolstoel beweegt niet in een rechte lijn als de zwenkwieien niet goed zijn aangepast. U moet de voorwielen laten afstellen door een erkend dealer. Telkens als de positie van het achterwiel is gewijzigd, moet de wielvergrendeling worden gecontroleerd.

## Opties - Zwenkwieladaptor

De zithoogte wordt bepaald door de positie van het achterwiel en het zwenkwiel. De zithoogte kan worden aangepast door de positie van de achterwielen en zwenkwieien te veranderen en door spacers te gebruiken, (Fig. 19).



### ⚠ OPGELET!

Nadat de zithoogte is gewijzigd, moeten alle schroeven opnieuw worden aangedraaid en de wielvergrendeling moet opnieuw worden aangepast.

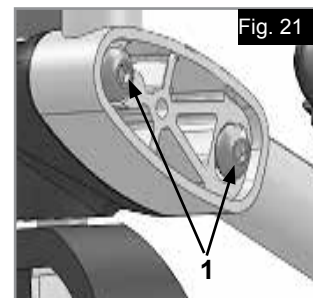
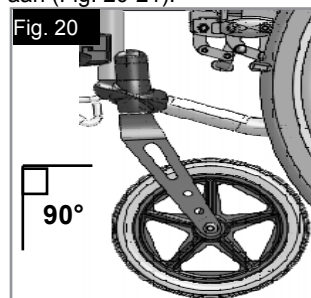
## Opties - Zwenkwieladaptor

### OPMERKING:

U kunt de hoek van de zwenkwielas wijzigen door de positie van het zwenkwiel/achterwiel te wijzigen. Dit moet altijd ongeveer 90° zijn.

### AANPASSEN VAN DE HOEK VAN DE ZWENKWIELAS:

Draai de schroeven (1) los, trek de zwenkwieladaptor naar buiten, stel hem op een hoek van 90° in en draai de schroeven opnieuw aan (Fig. 20-21).

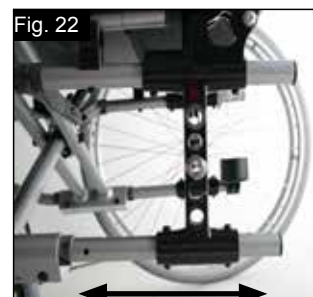


### ⚠ OPGELET!

De hoek van de zwenkwielas moet aan beide kanten hetzelfde zijn (controleer door markering).

### HORIZONTALE ASPOSITIE

De asplaat kan naar voren worden aangepast voor beter manoeuvreren of naar achteren voor meer stabiliteit (Fig. 22).

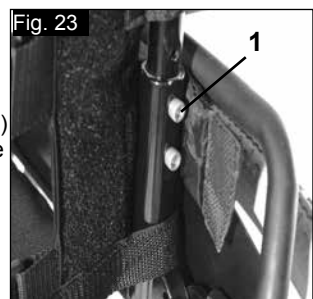


Hoe groter de wielbasis hoe beter u bent beschermd tegen het kantelen van uw rolstoel.

## Opties - Rugleuning

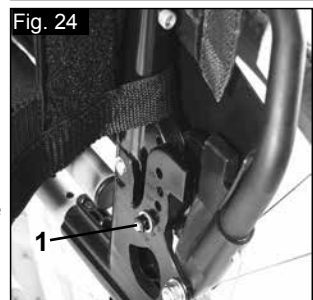
### HOOGTEVERSTELBARE RUGLEUNING

De rugleuning kan in 2 of 3 verschillende posities worden bijgesteld (afhankelijk van het model) (41 cm, 43,5 cm en 46 cm). Maak de bouten los (1) en verwijder ze. Duw nu de stang van de rugleuning in de gewenste positie. Draai de bouten weer aan (Fig. 23).



### HOEKVERSTELBARE RUGLEUNINGEN

De rugleuning kan in 6 verschillende posities worden ingesteld (-5° naar voor, 0°, 5°, 10°, 15° en 20° naar achter). Om de hoek aan te passen, verwijdert u de schroef (1), stelt u de gewenste hoek in en draait u de schroef opnieuw aan (Fig. 24).



### HOEKVERSTELBARE RUGLEUNINGEN (7° - 30°)

Door de 2 hendels (1) gelijktijdig in te drukken, wordt de rugleuning losgemaakt en kan hij op de juiste positie worden ingesteld.



Loslaten van de 2 hendels (1) zal de rugleuning op zijn plaats vastklikken (Fig. 25).

## ⚠ OPGELET!

- Het wordt aanbevolen de rugleuning met verstelbare hoek te gebruiken in combinatie met de wielbasisverlenging.
- Het is aan te bevelen om de hoekverstelbare rugleuning met anti-tip te gebruiken (max. vrije grond ruimte 3-5 cm).
- Het is aan te bevelen om de hoekverstelbare rugleuning in combinatie met een stabilisatiestang te gebruiken.

## NEERKLAPPENDE RUGLEUNING

Uitvouwen van de rugleuning:  
Om de rugleuning omhoog te zetten, duwt u de hendels naar boven en voorwaarts, totdat ze vergrendelen, (Fig. 26).



## ⚠ WAARSCHUWING!

**Houd uw vingers en voorwerpen verwijderd van het vouwmechanisme, om persoonlijk letsel of beschadiging van voorwerpen te voorkomen wanneer de rugleuning wordt in- of uitgevouwen.**

**Het vouwen van de rugleuning:**  
De rugleuning van de rolstoel kan worden opgevouwen, waardoor het opbergen van de stoel gemakkelijker is, (Fig. 27).



## ⚠ OPGELET!

**Doe dit niet terwijl er iemand (of iets) in de rolstoel zit (of ligt). Hierdoor kan een hendel afbreken.**

Om de rugleuning op te vouwen, gaat u achter de rolstoel staan, en duwt u op de twee kleine hendels, (Fig. 27 - 28) die zich vlak boven de armleuningen aan weerszijde van de rugleuning bevinden. Vouw de rugleuning naar beneden.



## INSTELBARE RUGLEUNINGBAND

De instelbare rugleuningband kan op spanning worden aangebracht door het gebruik van diverse banden (Fig. 28).

## ⚠ OPGELET!

Trek de aanspanband niet te strak aan aangezien dit het vouwmechanisme van de rolstoel kan belemmeren.

## COMFORT RUG

Dankzij de comfort rugleuning wordt langdurig zitten met laterale steunmiddelen comfortabel. De complete rugleuning kan worden verwijderd door deze omhoog te tillen en naar voren te duwen. Het kussen wordt bevestigd door middel van Velcro klittenband en kan ook worden verwijderd. De hoes is wasbaar. (Fig. 29)



## ROMPSTEUN

De hoek, diepte en hoogte van de rompsteun kunnen worden aangepast. Door de steun omhoog te tillen, kan hij worden weggeklapt.

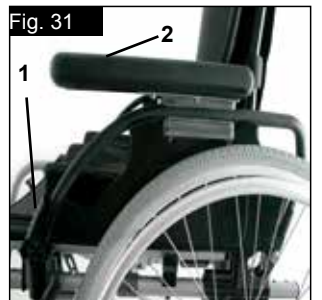
- Aanpassing van de diepte: verwijder de 2 schroeven en plaats de rompsteun in de nieuwe positie. Draai daarna de schroeven weer vast.
- Aanpassing van de hoek: draai de schroef los, plaats de rompsteun in de gewenste positie en draai de schroef weer aan. (Fig. 30)
- Aanpassing van de hoogte: Verwijder de schroeven van de beugel en plaats de beugel in de gewenste positie. Draai daarna de schroeven weer vast.



## Opties - Zijkanten

### STANDAARD ZIJKANT, OPKLAPBAAR, AFNEEMBAAR MET KORTE OF LANGE ARMSTEUNEN

Met de zijkanten met afgeronde voorranden kunt u dicht bij een tafel komen. U klapt de armsteun op door de hendel (1) in te drukken zodat de zijkant vrijkomt (Fig. 31 + 32).



De hoogte van de armsteun (2) kan worden aangepast door de afstandsbeugel in diverse posities aan te brengen. Om dit te doen, draait u de schroeven los, verplaatst u de afstandsbeugel en draait u de schroeven weer vast. De lengte van de armsteun kan worden aangepast door de schroeven (3) los te draaien, vervolgens de armsteun naar de gewenste positie te verplaatsen en de schroeven weer aan te draaien (Fig. 33).



## ⚠ OPGELET:

- Noch de armleuningen, noch de opvulkussens mogen worden gebruikt om de rolstoel te tillen of te dragen.
- Let op uw vingers bij het aanpassen van de hoogte van het armkussen.

### ZIJKANTEN, OPKLAPBAAR, AFNEEMBAAR MET KORTE OF LANGE ARMSTEUNEN, IN HOOGTE INSTELBAAR

De armsteun kan qua hoogte als volgt worden ingesteld.

Duw de hendel naar beneden en beweeg de armsteun naar de gewenste hoogte. Laat de hendel los en druk de armsteun omlaag tot u hem op zijn plaats hoort klikken. Controleer altijd dat de zijkant stevig op zijn plaats zit. U klapt de armsteun op door de hendel



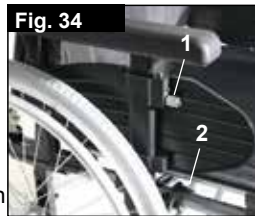
(1) in te drukken zodat de zijkant vrijkomt. U kunt de lengte van de armsteun aanpassen door de schroeven (2) los te draaien, de armsteun naar de gewenste positie te duwen en de schroeven opnieuw aan te draaien (Fig. 33).

## ⚠ OPGELET:

- Noch de armleuningen, noch de opvulkussens mogen worden gebruikt om de rolstoel te tillen of te dragen.
- Als u een achterwiel van 24" gebruikt moet de armlegger op een hoger niveau worden geplaatst.

## IN HOOGTE VERSTELBARE ARMSTEUNEN

Om de hoogte aan te passen, rekt u de hendels (1) en duwt de armléuning naar de gewenste hoogte. Zorg er daarna voor dat de hendel (1) weer op zijn plaats is vergrendeld. Verwijdering van de armsteun wordt op dezelfde wijze uitgevoerd.



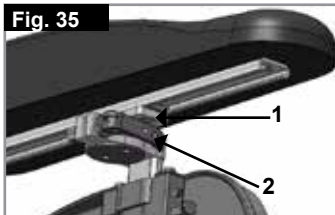
Om de zijkanten volledig te verwijderen, drukt u op de hendel (2). Wanneer de zijkant wordt geïnstalleerd, dient de hendel (2) ook aangetrokken te worden.

**Controleer altijd of de zijkant op de juiste wijze vergrendeld is.** (Fig. 34)

## Opties – Armsteun, hemiplegie

### ARMSTEUN, HEMIPLEGIE

De hemiplegie-armsteun kan zowel qua lengte als hoek worden ingesteld. U kunt de lengte instellen door de armsteun te duwen na de 2 draaischroeven (1) los te hebben gedraaid. Om de hoek aan te passen, opent u de vergrendelingshendel (2) en draait u de armsteun naar de gewenste positie. Draai vervolgens de hendel weer aan (Fig. 35).



## Opties – Anti-tip wielen

### ANTI-TIP WIELEN

Anti-tip wielen bieden bijkomende veiligheid voor onervaren gebruikers wanneer deze nog leren hoe de rolstoel te gebruiken. Anti-tip wielen voorkomen dat de rolstoel naar achteren kantelt. De anti-tip buis moet zover in de buis van het frame worden geplaatst dat de eerste van de twee knoppen in het eerste gat in het frame valt, (Fig. 36).



### ⚠ WAARSCHUWING!

Wanneer de anti-tip wielen verkeerd zijn aangebracht, wordt het gevaar op achterwaarts kantelen groter. U moet de anti-tip omhoog klappen wanneer u over grote obstakels, zoals een stoeprand, rijdt. Zo voorkomt u dat ze met de grond in aanraking komen. Daarna kunt u ze in de normale positie terugzetten.

**OPMERKING:** Duw de anti-tip niet zover in de buis van het frame dat beide knoppen in de buis komen. Hierdoor kan de anti-tip beschadigen en het gewenste effect wordt verkleind. Door op de tweede zichtbare ontgrendelingsknop te drukken, kan de anti-tip omhoog worden gebracht of worden verwijderd. Er moet altijd tussen de 3 cm en 5 cm afstand zijn tot aan de grond. U moet de wielen naar voren zwaaien wanneer u grote hindernissen (bijv. stoep) op- of afrijdt, om aanraking met de grond te vermijden. Draai de anti-tip wielen vervolgens weer naar beneden in de normale positie (Fig. 36).

### ⚠ WAARSCHUWING!

Wanneer de anti-tip wielen verkeerd zijn aangebracht, wordt het gevaar op achterwaarts kantelen groter.

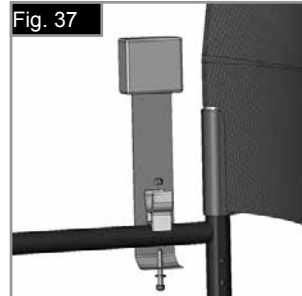
## Opties – Heupgordel

### ⚠ WAARSCHUWING!




Controleer, voordat u uw rolstoel gebruikt, of de heupgordel correct is aangepast en vastgemaakt.

De heupgordel dient aan de rolstoel bevestigd te zijn zoals getoond op de afbeeldingen. De gordel bestaat uit twee delen. Ze worden bevestigd d.m.v. de aanwezige schroef, die door het ringetje van de gordel wordt gestoken. De gordel wordt onder de achterzijde van het zijpaneel geleid. (Fig. 37)

Pas de gordel zodanig aan dat de sluiting zich in het midden van de stoel bevindt. (Fig. 38)



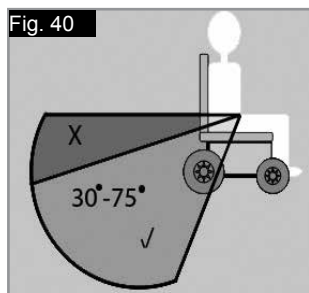
De heupgordel wordt als volgt aangepast aan de wensen van de gebruiker:

Om de lengte van de gordel te vergroten	Om de lengte van de gordel te verkorten	✓
 Type B	 Type B	 Type B
Om de gordel langer te maken, haalt u het niet-gebruikte deel van de gordel door de geleiders en gesp.	Haal vervolgens het niet-gebruikte deel van de gordel door de gesp en geleiders.	Controleer of de gordel niet om de sluiting is gedraaid.

## Opties – Heupgordel

Controleer na het vastmaken de ruimte tussen de gordel en de gebruiker. Als men een vlakke hand tussen de gordel en het lichaam van de gebruiker kan steken (niet meer en niet minder), is de gordel correct aangemeten. (Fig. 39)

Over het algemeen moet de heupgordel zodanig bevestigd zijn dat de gordel in een hoek van 45° vastgemaakt kan worden. Als de gordel op de juiste wijze bevestigd is, kan de gebruiker niet in de



	
<b>Om de sluiting te sluiten:</b> Steek de tanden van de gesp in de sluiting.	<b>Om de sluiting los te maken:</b> Druk de zijkanten van de gesp naar binnen / druk op de drukknop van de gesp terwijl u de twee gespdelen rustig uit elkaar trekt.

### NUTTIGE TIPS

#### GEVAAR!

- Gebruik niet alleen de heupgordel tijdens transport van de gebruiker en rolstoel in een voertuig. Gebruik ook de afzonderlijke heupgordel en diagonale veiligheidsgordels die in het voertuig aanwezig zijn.
- Sunrise adviseert om de heupgordel voor gebruik te controleren om er zeker van te zijn dat de gordel op juiste wijze is aangebracht, niet gehinderd wordt, niet versleten is en de sluiting goed gesloten is.
- Wanneer niet wordt gecontroleerd of de heupgordel in goede staat is en correct omgedaan is, kan dit leiden tot ernstig letsel van de rolstoelgebruiker. Een te losse gordel kan er bijvoorbeeld toe leiden dat de rolstoelgebruiker naar beneden glijdt, waarbij gevaar op verstikking ontstaat.

### ONDERHOUD:

Controleer de gordel en de bevestigingsmaterialen geregeld op slijtage of beschadiging. Vervang de gordel indien noodzakelijk. Maak de gordel schoon met warm water en zeep en laat hem vervolgens drogen.

#### GEVAAR!

De heupgordel moet naar wens van de gebruiker worden aangepast, zoals hierboven wordt getoond. Sunrise Medical adviseert tevens dat de lengte en 'pasvorm' geregeld worden gecontroleerd om te voorkomen dat de rolstoelgebruiker de gordel ongewild heeft aangepast en te lang heeft gemaakt. Indien u vragen of twijfels heeft over het gebruik en de wijze van gebruik van de heupgordel, vraag dan advies aan uw medische begeleider, rolstoeldealer, verzorger of begeleider.

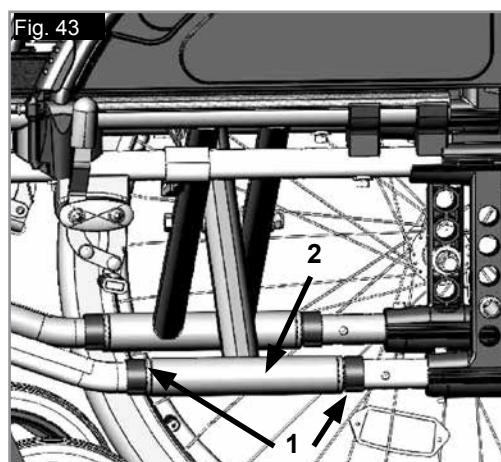
## Opties – Zitdiepte

Haal de ene spanband (1) van de andere spanband af, plaats hem in de gewenste positie en druk beide spanbanden weer samen, de een bovenop de ander (Fig. 42).

### ZITDIEPTE

Door de klemmen (1) te verwijderen, kan het kruisframe (2) langs het frame worden bewogen, waarbij de zittingsdiepte kan worden gewijzigd (afhankelijk van de positie van de rugbalken). Zorg ervoor dat de klemmen (1) steeds in de voorziene holtes op het frame vastklikken.

Om het frame zo compact mogelijk te houden kan de zittingsdiepte ook worden bijgesteld via de rugbalken (41 – 51 cm met incrementen van 2,5 cm). Verwijder hiervoor de schroeven (1 en 2) op de beugel van de rugbuis. Verwijder de wielen en de armleningen en controleer of de dwarsbalk zich in de juiste positie bevindt (glijd de dwarsbalk in de juiste positie zoals hierboven aangetoond, indien nodig). Breng de rugbuizen in de gewenste positie en maak de schroeven weer vast. Beweeg de opening voor de armlening in de gewenste positie (Fig. 43).



## Opties – Duwhandvatten

### IN DE HOOGTE VERSTELBARE DUWHANDVATTEN

Die duwhandvatten zijn in hun positie beveiligd door pinnen die voorkomen dat ze per ongeluk wegschuiven. Door het losmaken van de hendel (1) kunt u de duwhandvatten op een voor u geschikte hoogte afstellen. Na hoogte aanpassingen van de duwhandvatten, dient u aan de hendel (1) te trekken tot deze stevig vast zit (Fig. 44).



#### ⚠ OPGELET:

Als de hendel niet stevig vast zit, kan hier letsel uit voortkomen als de rolstoel over obstakels wordt getild.

## Opties – Krukkenhouder

### KRUKKENHOUDER

Hiermee kunt u krukken meenemen op de rolstoel. De krukkenhouder heeft een velcrolus waarmee u de krukken of andere hulpmiddelen kunt vastmaken (Fig. 45).



#### ⚠ OPGELET:

Probeer de krukken of andere hulpmiddelen nooit al rijdend te verwijderen.

## Opties - Werkblad

### WERKBLAD

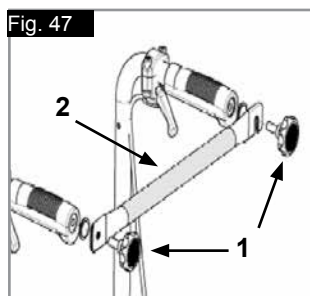
Hiermee kunt u krukken meenemen op de rolstoel. Alvorens u een blad gebruikt, moet een erkende dealer dat aanpassen aan de breedte van de zitting. Tijdens de proefrit moet u in de rolstoel zitten (Fig. 46).



## Opties - Stabilisatiestang

### STABILISATIESTANG T.B.V. VERSTELBARE RUG

Draai de stervormige knop (1) los en klap de stabilisatiestang weg (2) voordat u de rolstoel opvouwt. Om de rolstoel weer rijklaar te maken, volgt u de bovenstaande procedure in omgekeerde volgorde, (Fig. 47).

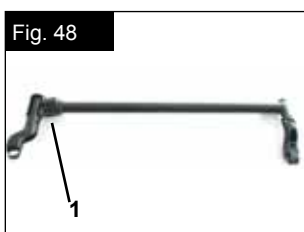


#### ⚠ GEVAAR!

- Controleer voor u de rolstoel gebruikt, of de stabilisatiestang en de stervormige knoppen op de juiste plaats zitten en goed zijn aangedraaid.
- Gebruik de stabilisatiestang nooit op de rolstoel mee op te tillen!

### WEGKLAPBARE STABILISATIESTANG

Deze stang dient om de rug te stabiliseren. Om de rolstoel in te kunnen klappen, moet de hendel (1) naar binnen worden gedruwd en de stabilisatiestang naar beneden geklapt. Bij het uitklappen van de rolstoel dient u ervoor te zorgen dat de stabilisatiestang op zijn plaats is vergrendeld (Fig. 48).



## INKLAPPENDE STABILISATIESTANG

Deze stang dient om de rug te stabiliseren. Om de rolstoel te kunnen inklappen, moet de stabilisatiestang in het midden naar beneden worden gedruwd (1). Om de rolstoel geheel uit te klappen, moet de handgreep (2) omhoog worden getrokken, (Fig. 49).



## Opties – Hoofdsteunen

### HOOFDSTEUNEN

U kunt de hoofdsteun verhogen en naar voren en naar achteren bewegen. Om dit te doen, draait u gewoon de schroef los, past u de hoofdsteun aan naar de gevraagde positie, en draait u de schroef weer aan (zie het hoofdstuk over draaikracht) (Fig. 50).



### COMFORT HOOFDSTEUN

Om de hoogte aan te passen, draait u de knop los, en plaatst u de hoofdsteun op de gewenste hoogte. Draai daarna de knop weer aan (Fig. 51).



## Opties – Transitwielen

### TRANSITWIELEN

U kunt **transitwielen** gebruiken wanneer uw rolstoel met zijn gewone achterwielen te breed is (bijv. in vliegtuigen, bussen, enz.). Nadat u de achterwielen met behulp van de quick-release-assen hebt verwijderd, kunt u de **transitwielen** onmiddellijk gebruiken om te blijven rijden. De **transitwielen** zijn zodanig gemonteerd dat ze zich ongeveer 3 centimeter boven de grond bevinden wanneer u ze niet gebruikt. Ze zitten dus niet in de weg wanneer u rijdt, tijdens vervoer of wanneer u de rolstoel kantelt om over hindernissen te rijden (bijv. stoepranden, trappen, enz.). (Fig. 52).



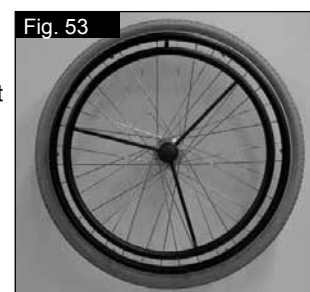
#### ⚠ OPGELET:

Uw rolstoel heeft geen wielvergrendelingen wanneer u de transitwielen gebruikt.

## Opties – Bediening met één hand

### BEDIENING MET ÉÉN HAND

Om de rolstoel in een rechte lijn te bewegen, moeten beide handwielen worden gebruikt. Als de rolstoel moet worden ingeklapt, verwijder dan de verwijderbare buis door hem naar binnen te drukken (Fig. 53).



#### ⚠ OPGELET:

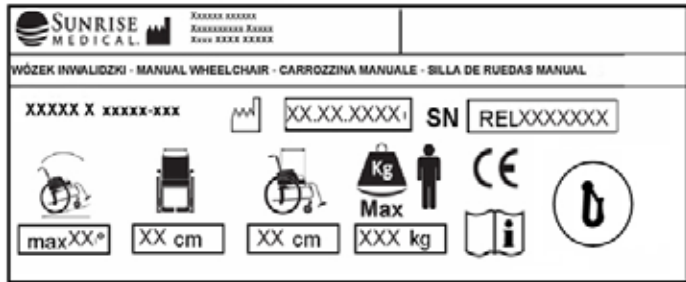
Ter voorkoming van letsel dient u er voor te zorgen dat alle verbindingen goed op hun plaats zitten.

## Sticker

### Sticker

De sticker bevindt zich of op het kruisframe, of op de dwarsstang van het frame. Ook vindt u een sticker met gegevens in de gebruikershandleiding. Op de sticker met het serienummer staat ook de precieze naam van het model en andere technische gegevens. Wanneer u vervangingsonderdelen bestelt of een schadeclaim indient, moet u de volgende gegevens vermelden:

# VOORBEELD



#### RubiX<sup>2</sup>

XXXXX-XXX

Naam product, SKU nummer



De maximale veiligheidsmarge bij hellingen met anti-tip wielen hangt onder andere af van de instellingen, postuur en fysieke capaciteiten van de gebruiker.



Breedte zitsysteem



Diepte (max.)



Maximale belasting.



CE-keurmerk



Gebruikershandleiding



Crashtest uitgevoerd



Productiedatum



Serienummer.

Ons beleid is erop gericht het ontwerp van onze rolstoelen voortdurend te verbeteren. Hierdoor kunnen productspecificaties enigszins afwijken van de getoonde voorbeelden. Alle gewichten, afmetingen en gegevens betreffende prestaties zijn bij benadering en dienen slechts als richtlijn.

Sunrise Medical voldoet aan de Europese Richtlijn betreffende Medische hulpmiddelen 93/42/EEC



Alle rolstoelen moeten worden gebruikt in overeenstemming met de gebruiksaanwijzing van de fabrikant.

Sunrise Medical Poland  
Sp. z o.o.ul. Elektronowa 6,  
94-103 Łódź  
Polska  
Telefon: + 48 42 275 83 38  
Fax: + 48 42 209 35 23  
E-mail:  
pl@sunrisemedical.de  
Sunrise-Medical.pl

## Banden en montage

### BANDEN EN MONTAGE

Massieve banden zijn standaard.

Met luchtbanden zorg er altijd voor dat de druk van de banden correct blijft want dat is nodig om de rolstoel goed te laten presteren. Als er niet genoeg druk op de banden staat, zal de rolweerstand toenemen waardoor u een grotere inspanning moet leveren om de rolstoel voort te bewegen; bovendien maakt een lage bandendruk de rolstoel minder wendbaar. Als de bandendruk te groot is, kan de band springen. De juiste druk voor een bepaalde band staat vermeld op het oppervlak van de band zelf.

De banden zijn op dezelfde manier op de velg aan te brengen als gewone fietsbanden. Alvorens u een nieuwe binnenband oplegt, moet u altijd controleren of er zich geen vreemde voorwerpen bevinden op de basis van de velg en de binnenzijde van de band. Controleer de druk nadat u een band opgelegd of hersteld hebt. Het is voor uw veiligheid en voor de goede werking van uw rolstoel van erg groot belang dat de voorgeschreven luchtdruk altijd gehandhaafd blijft en dat de banden in goede conditie zijn.

### Algemeen onderhoud

#### VEILIGHEIDSCONTROLE:

Als gebruiker bent u de eerste die mogelijke defecten opmerkt. Daarom adviseren we voor ieder gebruik het volgende de controleren:

of de bandenspanning correct is;  
of de remmen correct werken;  
of alle afneembare onderdelen goed zijn bevestigd (zoals armsteunen, hangers van de voetsteunen, quick release-assen, etc.);  
Als er beschadigingen/storingen zijn, neem dan contact op met uw erkende dealer.

#### ONDERHOUD:

Controleer geregeld de bandenspanning.  
Controleer alle banden geregeld op slijtage. (Minstens één maal per jaar.) Wissel de banden zodra er slijtage zichtbaar is.  
Controleer de zit en rugbekleding geregeld op slijtage. (Minstens één maal per jaar.) Wissel deze onderdelen zodra er slijtage zichtbaar is.  
Controleer de remmen geregeld op slijtage. (Minstens één maal per jaar.) Controleer of de remmen naar behoren functioneren en gemakkelijk gebruikt kunnen worden. Wissel de remmen zodra er slijtage zichtbaar is.  
Controleer geregeld, minstens één maal per jaar, alle schroeven en bouten (zie het hoofdstuk over draaikracht). Alle schroeven die een groot belang hebben in verband met de veiligheid van de rolstoel, hebben veiligheidsbouten. U mag borgmoeren maar één keer monteren en u moet ze vervangen na een bepaalde gebruiksperiode.

**OPMERKING:** Als er instellingen voor de draaikracht worden opgegeven, adviseren we een meetapparaat te gebruiken om de controleren of u schroeven met de juiste draaikracht heeft vastgemaakt.

Gebruik alleen zachte (niet agressieve) schoonmaakproducten om uw rolstoel schoon te maken. Gebruik alleen water en zeep wanneer u de bekleding van de stoel en de heupgordel reinigt. Afhankelijk van de frequentie en de wijze waarop u uw rolstoel gebruikt, adviseren wij dat u uw rolstoel geregeld, maar minstens één maal per jaar, bij uw erkende dealer laat nakijken door opgeleid personeel.

#### ⚠️ OPGELET!

Zand en zeewater (of zout in de winter) kan de rollagers van de voor- en achterwielen beschadigen. Als uw rolstoel hieraan werd blootgesteld, maak hem dan zorgvuldig schoon en droog.



## HYGIËNEMAATREGELEN ALS DE STOEL WORDT GEBRUIKT DOOR NIEUWE GEBRUIKER:

Wanneer de rolstoel door een nieuwe gebruiker in gebruik wordt genomen, moet de rolstoel zorgvuldig schoongemaakt worden, waarbij met desinfecterende spray alle oppervlakten waar de nieuwe gebruiker mee in aanraking komt, worden gereinigd.

Als dit snel moet gebeuren, gebruik dan een vloeibaar desinfecterend middel op basis van alcohol, dat geschikt is voor medische producten en apparaten.

Let op de instructies van de fabrikant van de onsmettingsmiddel dat u gebruikt.

## Mogelijke problemen

### Rolstoel trekt naar één kant

- Controleer bandendruk
- Controleer of het wiel vlot draait (lagers, as)
- Controleer hoeken van zwenkwielen
- Controleer of beide voorwielen de grond goed raken

### Voorwielen beginnen te wiebelen

- Controleer hoeken van zwenkwielen
- Controleer of alle bouten vast zitten; draai ze indien nodig vast (zie hoofdstuk over de koppelsleutel)
- Controleer of beide voorwielen de grond goed raken

### Rolstoel piept en rammelt.

- Controleer of alle bouten vast zitten; draai ze indien nodig vast (zie hoofdstuk over de koppelsleutel)
- Breng een beetje smeerolie aan op plaatsen waar beweegbare delen met elkaar in contact komen

### Rolstoel begint te wiebelen

- Controleer hoek waarin voorwielen ingesteld zijn
- Controleer bandendruk
- Controleer of achterwielen verschillend ingesteld zijn

## Afvalverwerking / recycling van materialen

**OPMERKING:** Wanneer u de rolstoel gratis heeft ontvangen, is deze mogelijk niet uw eigendom. Wanneer u de rolstoel niet langer nodig hebt, volg dan de instructies op van de organisatie van wie u de rolstoel hebt ontvangen. De organisatie wil de rolstoel vermoedelijk terug hebben.

De onderstaande informatie heeft betrekking op de in de rolstoel en verpakking gebruikte materialen, voor wat betreft de afvalverwerking of recycling van de rolstoel en het verpakkingsmateriaal.

Er kan specifieke wetgeving bestaan in uw land of woonplaats; neem deze wet- of regelgeving in overweging, wanneer u de rolstoel naar de afvalverwerking wilt brengen. (Dit kan inhouden dat u de stoel voor verwijdering naar de afvalverwerking moet schoonmaken en ontsmetten).

**Aluminium:** Vorken van zwenkwielen, wielen, frame zijkant, armsteunen, frame, beensteunen, duwhendels.

**Staal:** Bevestigingen, quick release as

**Plastic:** Handgrepen, dopjes van buizen, zwenkwielen, voetplaten, armsteunen en 12" wiel/band

**Verpakking:** Lage densiteit polytheen zak, kartonnen doos.

**Bekleding:** Geweven polyester met PVC coating en geëxpandeerd gevormd schuim.

Afvalverwerking of recycling dient plaats te vinden via een erkende agent, afvalverwerking met vergunningen. Als alternatief kunt u uw rolstoel ook terugbrengen naar uw dealer voor verdere afvalverwerking.



## Technische gegevens

### Totale breedte:

- Met standaard wielen, incl. hoepels, montage smal:  
RubiX<sup>2</sup>: ZB +19 cm
- Met trommelremmen, incl. hoepels, montage smal:  
RubiX<sup>2</sup>: ZB +21 cm

### Totale breedte wanneer ingeklapt:

- Met standaard wielen:  
RubiX<sup>2</sup>: 30 cm
- Zonder standaard wielen:  
RubiX<sup>2</sup>: 24 cm

### Maximaal gebruikersgewicht:

- RubiX<sup>2</sup> tot een gebruikersgewicht van 125 kg
- Versterkte uitrusting RubiX<sup>2</sup> XL
- tot een gebruikersgewicht van 170 kg

### Gewicht in kg:

- Vervoer (zonder voetensteun, wielen, zijkanten) 8,4 kg
- Transportat RubiX<sup>2</sup> XL, (zonder voetensteun, wielen, zijbeschermering): 11,4 kg
- Voetsteun (eenheid): 0,8 kg
- Standaard zijkant (eenheid): 0,8 kg
- 24" achterwielen (massief) (paar): 3,8 kg

Maximaal toegestane gewicht (testgewicht dummy): 125 kg, (XL= 170 kg)

## ZIE OOK BLADZIJDE 4

Overeenkomstig EN12183: 2009 zijn alle hier opgenoemde onderdelen (zitting, bekleding rugleuning, armkussen, zijbeschermering, ...) vuurresistent zoals omschreven in EN1021-2.

De werking van de Dynamic beveiliging hangt af van de instellingen van de stoel, de capaciteiten van de gebruiker en de rijstijl. Omdat Sunrise Medical vooraf niet kan voorzien hoe de capaciteiten en rijstijl van de gebruiker is, kan de maximale veilig te nemen helling niet worden bepaald. Daarom moet dit door de gebruiker worden bepaald, samen met een begeleider, die kan voorkomen dat de rolstoel kantelt. Sunrise Medical adviseert onervaren gebruikers anti-tip wielen te laten installeren.

De rolstoel voldoet aan de volgende vereisten:

- Vereisten en testmethodes voor statische krachten, botskrachten en materiaalmoeheid (ISO 7176-8)
- Vereisten voor weerstand bij starten in overeenstemming met ISO 7176-16 (EN 1021-1)

## Koppel

Tenzij anders is aangegeven, is de draaikracht (torque) voor de M6 schroeven 7 Nm.  
Zie bladzijde 5 voor meer informatie

## Aanpassing zithoogte

Zie de tabel op bladzijde 5.

## Prefazione

Gentile utente,

ci congratuliamo con Voi per aver scelto un prodotto SUNRISE MEDICAL di alta qualità.

Questo manuale per l'uso contiene numerosi suggerimenti ed indicazioni che serviranno a rendere più familiare ed affidabile la Vostra carrozzina.

Desideriamo che siate soddisfatti dei nostri prodotti e dell'assistenza ricevuta. Sunrise Medical lavora costantemente allo sviluppo dei suoi prodotti; è quindi possibile che vengano apportate modifiche alla gamma di prodotti proposti per quanto riguarda la forma, la tecnologia e l'equipaggiamento. Per questa ragione, eventuali reclami basati sui dati e sulle figure riportati in questo manuale d'uso non saranno accettati.

Il sistema di gestione di SUNRISE MEDICAL è certificato secondo gli standard ISO 9001, ISO 13485 e ISO 14001.



**In qualità di fabbricante, SUNRISE MEDICAL dichiara che le carrozzine sono conformi alla linea guida 93/42/CEE modificata dalla direttiva 2007/47/CE.**

**Inoltre nei crash test soddisfano i requisiti prestazionali di ISO 7176-19.**

Per qualsiasi domanda sull'uso, la manutenzione o la sicurezza della Vostra carrozzina Vi preghiamo di rivolgerVi al rivenditore autorizzato di prodotti SUNRISE MEDICAL della Vostra zona.

Se nella Vostra zona non è presente un rivenditore autorizzato, oppure se avete domande, potete contattare SUNRISE MEDICAL per iscritto o per telefono (gli indirizzi per i contatti si trovano nell'ultima pagina).

Sunrise Medical S.r.l.  
Via Riva 20, Montale  
29122 Piacenza  
Italia  
Tel.: +39 0523 573111  
Fax: +39 0523 570060  
www.SunriseMedical.it

Annotare l'indirizzo e il numero di telefono del rivenditore autorizzato nello spazio riportato di seguito.  
In caso di guasto rivolgersi immediatamente al rivenditore autorizzato fornendo tutti i dettagli pertinenti in modo che possa trovare facilmente una soluzione.



**IMPORTANTE:**  
PRIMA DI UTILIZZARE LA CARROZZINA,  
LEGGERE ATTENTAMENTE IL PRESENTE  
MANUALE.

## Spiegazione dei simboli



### AVVERTIMENTO!

Messaggi di avvertimento relativi a possibili rischi di incidente grave o morte.



### AVVERTENZA!

Messaggi di avvertimento relativi a possibili rischi di lesioni.



### ATTENZIONE!

Messaggi di avvertimento relativi a possibili danni tecnici.

### NOTA:

Informazioni per il funzionamento del prodotto.

## Sommario

Prefazione	66
Spiegazione dei simboli	66
Sommario	66
Utilizzo	66
Area di applicazione	66
Note generali sulla sicurezza e limitazioni di guida	67
Garanzia	68
Trasportabilità	69
Uso	71
Opzioni – Salicordoli	71
Opzioni - Freni	71
Opzioni - Pedane	72
Opzioni - Appoggiapiedi	72
Opzioni - Ruote anteriori	73
Opzioni - Ruota anteriore, adattatore	73
Opzioni - Schienale	73
Opzioni – Protezione laterale	74
Opzioni – Bracciolo per emiplegico	75
Opzioni – Ruotine antiribaltamento	75
Opzioni – Cintura pelvica	75
Opzioni – Profondità della seduta	76
Opzioni – Maniglie di spinta	77
Opzioni – Portastampelle	77
Opzioni - Tavolino	77
Opzioni - Barra stabilizzatrice	77
Opzioni – Appoggiatesta	77
Opzioni - Ruotine da transito	77
Opzioni – Utilizzo con una sola mano	77
Targhetta di identificazione	78
Copertoni e montaggio dei pneumatici	78
Manutenzione e cura	78
Risoluzione dei problemi	79
Smaltimento / Riciclaggio dei materiali	79
Dati tecnici	79
Coppia di serraggio	79
Regolazione dell'altezza della seduta	79

## Utilizzo

Questa carrozzina è destinata esclusivamente all'utilizzo, al chiuso e all'aperto, da parte di utenti non in grado di camminare o con mobilità limitata, su superfici asciutte, piane e solide, spinta dall'utente stesso o da un accompagnatore.

La portata massima (rappresentata dal peso dell'utente più il peso di eventuali accessori montati sulla carrozzina e di oggetti trasportati dall'utente) è indicata sull'etichetta del numero di serie, situata sulla crociera o sulla barra stabilizzatrice sotto il sedile.

La garanzia è valida soltanto se il prodotto viene impiegato alle condizioni prescritte e secondo le destinazioni d'uso specifiche.

La durata prevista della carrozzina è 5 anni. NON usare o montare componenti di altri produttori sulla carrozzina a meno che non siano stati approvati ufficialmente da Sunrise Medical.

## Area di applicazione

La varietà dell'equipaggiamento e la struttura modulare consentono l'impiego della carrozzina da parte di utenti non in grado di camminare o con mobilità limitata a causa di:

- Paralisi
- Perdita di uno o di entrambi gli arti inferiori (amputazione)
- Difetti/Deformità degli arti inferiori
- Contratture/Danni articolari
- Malattie di tipo cardiaco o circolatorio, disturbo dell'equilibrio o cachessia. È adatta anche per persone più anziane con forza sufficiente nella parte superiore del corpo.

Per la scelta del modello, occorre anche considerare la statura e il peso corporeo, le condizioni psicofisiche, l'età dell'utente e l'ambiente in cui vive.

## Note generali sulla sicurezza e limitazioni di guida

La carrozzina è stata progettata e costruita per garantire la massima sicurezza dell'utente. Tutte le norme sulla sicurezza vigenti a livello internazionale vengono strettamente osservate se non addirittura superate.

Ciononostante l'utente può trovarsi in situazioni di pericolo se la carrozzina viene utilizzata in modo non appropriato. Per garantire la Vostra sicurezza, è assolutamente necessario rispettare le seguenti regole.

Modifiche o regolazioni eseguite in modo errato o da personale non autorizzato aumentano il rischio di incidenti. Quali utenti di una carrozzina, Voi prendete parte alla circolazione stradale. Per questo motivo desideriamo ricordarVi che avete l'obbligo di rispettare le regole vigenti sulla circolazione stradale.

Se usate la carrozzina per la prima volta, guidate con prudenza. Familiarizzate con la nuova carrozzina.

Prima di ogni spostamento, effettuare controlli sulle parti seguenti:

- assi fissi o ad estrazione rapida sulle ruote posteriori
- velcro sulla superficie della seduta e sullo schienale
- copertoni, pressione dei pneumatici e freni.

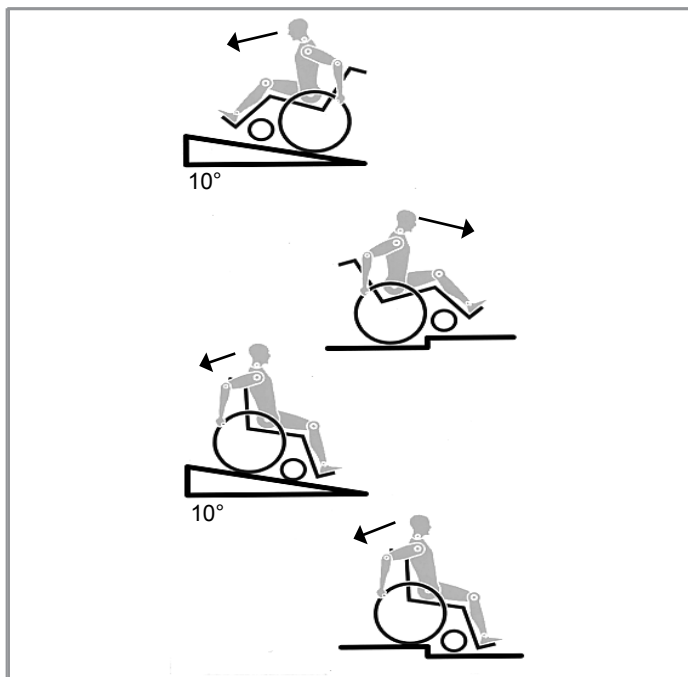
Prima di procedere ad una qualsiasi modifica delle regolazioni, è importante leggere il relativo capitolo del manuale d'uso.

È possibile che durante percorsi in salita o in discesa la carrozzina possa correre il rischio di ribaltarsi a causa di buche nel terreno o di un fondo irregolare. Per salire avanti su un gradino o percorrere una salita, consigliamo di piegare il corpo in avanti.

### ⚠ AVVERTIMENTO!

L'utente e gli oggetti eventualmente trasportati sulla carrozzina non devono MAI superare la portata massima di 125 kg (XL = 170 kg). Se si supera la portata massima, la carrozzina può danneggiarsi oppure l'utente può cadere, ribaltarsi o perdere il controllo e causare così lesioni gravi a se stesso o ad altre persone.

- In condizioni di oscurità, si raccomanda di indossare indumenti chiari o con applicazioni riflettenti per essere meglio visibili. Controllare che i catarifrangenti applicati sui lati e sul retro della carrozzina siano ben visibili.
- Si raccomanda anche di montare un fanale.
- Per evitare cadute e situazioni pericolose, esercitarsi inizialmente su un terreno pianeggiante con buona visibilità.
- Non utilizzare l'appoggiapiedi per salire o scendere dalla carrozzina.
- Prima dell'operazione, ribaltare la pedana e ruotarla il più possibile verso l'esterno. Mettersi sempre il più vicino possibile al luogo dove ci si vuole sedere.
- Utilizzare la carrozzina sempre con attenzione. Ad esempio, non cercare di superare un ostacolo (uno scalino o il bordo di un marciapiede) senza frenare ed evitare le buche.



- I freni non sono stati progettati per rallentare la carrozzina. Essi assicurano che le ruote della carrozzina non si muovano in modo inaspettato quando la carrozzina è ferma. Se ci si ferma su una superficie irregolare, azionare sempre i freni per evitare il movimento non desiderato della carrozzina. Ricordiamo di azionare entrambi i freni al fine di evitare il ribaltamento della carrozzina.
- Se viene modificato il centro di gravità, osservare con attenzione come si comporta la carrozzina, ad esempio su pendii, superfici inclinate, pendenze di ogni tipo o quando si superano degli ostacoli. Durante questa operazione, chiedere l'aiuto di un assistente.
- In caso di regolazioni estreme (ad es. se la carrozzina è regolata con le ruote posteriori molto in avanti) e l'utente ha una postura errata, la carrozzina può ribaltarsi anche su una superficie piana.
- Sporgere il tronco in avanti se si sta percorrendo una salita o si deve salire un gradino.
- Sporgere il tronco all'indietro se si sta percorrendo una discesa o si deve scendere da un gradino. Non tentare di salire o scendere diagonalmente.
- Evitare l'uso delle scale mobili, in quanto si potrebbero subire lesioni gravi in caso di caduta.
- Non usare la carrozzina su pendii > 10°. La pendenza superabile in movimento dipende dalla configurazione della carrozzina, dalle capacità dell'utente e dallo stile di guida. Dal momento che non è possibile conoscere in anticipo le capacità dell'utente e il suo stile di guida, la pendenza superabile massima è un parametro che non può essere definito in anticipo e deve pertanto essere determinata dall'utente con l'aiuto di un accompagnatore per evitare di cadere. Si raccomanda agli utenti inesperti di montare le ruotine antiribaltamento.
- È possibile che durante percorsi in salita o in discesa la carrozzina possa correre il rischio di ribaltarsi a causa di buche nel terreno o di un fondo irregolare.
- Non usare la carrozzina su terreni fangosi o ghiacciati.
- Non usare la carrozzina in aree vietate ai pedoni.
- Per evitare lesioni alle mani non infilare le dita tra i raggi o tra la ruota posteriore e il freno durante la guida.
- In particolare, quando si utilizzano corrimani in metallo leggeri, le dita si surriscaldano facilmente se si frena ad una velocità elevata o su lunghe discese.
- Per salire le scale, chiedere assistenza. Utilizzare gli ausili eventualmente disponibili, ad esempio rampe o ascensori. Se questi ausili non sono disponibili, la carrozzina deve essere inclinata e spinta (mai sollevata) lungo la scala da due persone. Si raccomanda agli utenti di peso superiore ai 100 kg di evitare questa manovra di trasferimento. Se sulla carrozzina sono montate le ruotine antiribaltamento assicurarsi che siano regolate in modo che non urtino contro i gradini per evitare cadute. Se sulla carrozzina sono montate le ruotine antiribaltamento assicurarsi che siano regolate in modo che non urtino contro i gradini per evitare cadute.
- Assicurarsi che l'accompagnatore tenga la carrozzina utilizzando solo le parti ben fissate. Non usare parti rimovibili (p. es. gli appoggiapiedi o le spondine)
- Quando si utilizza una rampa, assicurarsi che le ruotine antiribaltamento siano posizionate in modo da non essere di intralcio.
- Su terreni impervi o in fase di trasferimento (ad esempio in auto) azionare i freni per bloccare la carrozzina.
- Quando si utilizza una rampa, assicurarsi che le ruotine antiribaltamento siano posizionate in modo da non essere di intralcio.
- Su terreni impervi o in fase di trasferimento (ad esempio in auto) azionare i freni per bloccare la carrozzina.
- Se e quando possibile, durante il trasporto in un veicolo adeguato per il trasporto di disabili, usare il sedile e il sistema di ritenuta del veicolo. Questo è il solo modo per garantire la massima sicurezza agli occupanti in caso di incidente.
- A seconda del diametro e della regolazione delle ruote anteriori nonché del centro di gravità, le ruote anteriori possono vibrare a velocità elevate e quindi bloccarsi causando il ribaltamento della carrozzina. Assicurarsi pertanto che le ruote anteriori siano regolate correttamente (vedere la sezione "Ruote anteriori").

## AVVERTIMENTO!

- In particolare su un pendio viaggiare a velocità ridotta e non utilizzare la carrozzina senza frenarla. Gli utenti inesperti devono utilizzare le ruote antiribaltamento.
- Le ruote antiribaltamento impediscono alla carrozzina di ribaltarsi accidentalmente all'indietro. Non utilizzarle mai al posto delle ruote da transito o per trasportare un utente in carrozzina senza le ruote posteriori.
- Per raccogliere oggetti situati davanti, di lato o dietro la carrozzina, non sporgersi troppo dalla carrozzina perché se si cambia il centro di gravità si rischia di cadere o ribaltarsi. Il peso supplementare di uno zaino o altri oggetti appesi ai tubi dello schienale può influire sulla stabilità della carrozzina nella parte posteriore, specialmente quando si usa uno schienale reclinabile. Questo può causare il ribaltamento all'indietro della carrozzina con conseguente rischio di lesioni.
- Per gli utenti con amputazione sopra il ginocchio utilizzare le ruote antiribaltamento.
- Prima di partire, controllare la pressione dei pneumatici. La pressione delle ruote posteriori deve essere almeno 3,5 bar (350 kPa). La pressione massima è indicata sul pneumatico. I freni funzionano soltanto con un'adeguata pressione dei pneumatici ed una corretta regolazione (vedere il capitolo "Freni").
- Se il rivestimento della seduta o dello schienale risultasse danneggiato, sostituirlo immediatamente.
- Fare attenzione ad evitare il contatto con il fuoco, in particolare con sigarette accese.
- Se la carrozzina è esposta alla luce diretta del sole / a temperature fredde per un lungo periodo di tempo, alcune parti (per es. telaio, pedane, freni e spondine) potrebbero riscaldarsi (>41 °C) o raffreddarsi (<0°) troppo.
- Controllare sempre che gli assi ad estrazione rapida sulle ruote posteriori, se presenti, siano montati correttamente e bloccati (i cuscinetti a sfera bloccanti devono essere visibili completamente attraverso il manicotto dell'asse). Se il pulsante dell'asse ad estrazione rapida non è premuto, la ruota posteriore non può essere rimossa.

## ATTENZIONE!

- L'efficienza del freno, come anche la tenuta generale su strada, dipendono dalla pressione dei pneumatici. La carrozzina si manovra molto meglio e più facilmente quando le ruote posteriori sono gonfiate correttamente, entrambe alla stessa pressione.
- Controllare lo stato dei battistrada dei pneumatici!
- Quando si circola su strade pubbliche, si deve rispettare il codice di circolazione stradale.
- Fare sempre attenzione quando si utilizza o si regola la carrozzina!
- Le regolazioni che richiedono l'uso di utensili devono essere sempre eseguite da un tecnico autorizzato.
- Pulire la carrozzina regolarmente per evitare la formazione di ruggine e la corrosione salina.
- Assicurarci che i rivetti, i dadi e i bulloni siano ben stretti e che i componenti della carrozzina non rischiano di staccarsi.
- Fare attenzione a non rimanere intrappolati con le dita nelle parti mobili. Maneggiare con cura.
- I prodotti illustrati e descritti nel presente manuale possono essere leggermente diversi nei dettagli dal modello in vostro possesso. Tuttavia tutte le istruzioni sono pertinenti, a prescindere dalle differenze nei dettagli.
- Il produttore si riserva il diritto di alterare senza preavviso i pesi, le misure e altri dati tecnici riportati nel presente manuale. Tutte le cifre, le misure e le capacità indicate nel presente manuale sono approssimative e non costituiscono delle specifiche.

## AVVERTIMENTO!

**PERICOLO DI SOFFOCAMENTO** – Questo ausilio per la mobilità contiene piccole parti che possono costituire un rischio di soffocamento per i bambini piccoli.

### Durata

La durata prevista di questo prodotto è 5 anni, sempre che venga usato nel rigido rispetto dell'uso al quale è destinato vengano soddisfatti tutti i requisiti di assistenza e manutenzione previsti.

## Garanzia

### Garanzia

**QUESTO NON HA ALCUN EFFETTO SUI VOSTRI DIRITTI LEGALI.**

### Condizioni della garanzia

1) La riparazione o la sostituzione delle parti in garanzia saranno eseguite da un tecnico o da un rivenditore autorizzato Sunrise Medical.

2) Qualora si rendesse necessario fare esaminare il prodotto durante il periodo di validità della garanzia, avvisare immediatamente il rivenditore autorizzato Sunrise Medical, fornendo tutte le informazioni relative al problema verificatosi. Nel caso in cui l'utente si trovi in una località lontana dalla sede del rivenditore Sunrise Medical di riferimento, la riparazione o la sostituzione prevista dalle condizioni di garanzia potrà essere eseguita da un altro rivenditore designato da Sunrise Medical.

3) Se è necessario fare riparare o sostituire una parte qualsiasi della carrozzina in seguito a un difetto di materiale o di fabbricazione specifico, entro 24 mesi (5 anni per il telaio o la crociera) dalla data di acquisto dell'acquirente originale, e sempre che il prodotto sia ancora di sua proprietà, la parte o le parti saranno riparate o sostituite gratuitamente se inviate al rivenditore autorizzato.

**Nota: questa garanzia non è trasferibile.**

**4) Per qualsiasi componente riparato o sostituito, l'utente beneficerà di queste disposizioni per il periodo rimanente della garanzia applicabile alla carrozzina.**

**5) I componenti sostituiti dopo la scadenza della garanzia originale sono coperti per altri 12 mesi.**

**6) Le parti di consumo deperibili non saranno coperte da garanzia durante il normale periodo di garanzia a meno che non presentino chiari segni di logorio eccessivo dovuto direttamente a un difetto di produzione. Queste parti includono, ma non si limitano a: rivestimento di stoffa, pneumatici, camere d'aria e parti simili.**

**7) Le condizioni della garanzia riportate sopra sono valide per tutte le parti del prodotto, per i modelli acquistati a prezzo pieno.**

**8) In circostanze normali, non si accetta alcuna responsabilità qualora sia stato necessario riparare o sostituire il prodotto come risultato diretto dei seguenti fattori:**

- a) Il prodotto o un suo componente non è stato mantenuto in buono stato, o non sono stati effettuati i necessari interventi di manutenzione, secondo le raccomandazioni del produttore, come indicato nel Manuale d'uso e/o nel Manuale tecnico. Non sono state usate solo parti originali.**
- b) Il prodotto, o parte di esso, ha subito dei danni a causa di negligenza, incidente o uso improprio.**
- c) Il prodotto, o parte di esso, è stato alterato rispetto alle specifiche del produttore, o le riparazioni sono state eseguite prima di aver avvisato il tecnico autorizzato.**
- d) Il prodotto presenta segni di corrosione dovuti ad una cattiva manutenzione**

## Trasportabilità

### ⚠ AVVERTIMENTO!

Il rischio di gravi lesioni o di decesso aumenta pericolosamente se questa raccomandazione viene ignorata.

Trasporto della carrozzina su un veicolo:

Una carrozzina fissata su un veicolo non fornisce lo stesso livello di protezione e sicurezza del sedile del veicolo stesso. Si raccomanda di utilizzare sempre per l'utente il sedile del veicolo. Poiché non è sempre possibile trasferire l'utente sul sedile del veicolo, qualora sia necessario trasportare l'utente seduto in carrozzina, attenersi alle istruzioni seguenti:

1. Verificare che il veicolo sia dotato dell'equipaggiamento adatto per il trasporto di un passeggero seduto in carrozzina ed assicurarsi che le modalità di accesso al veicolo siano idonee al tipo di carrozzina. Il pianale del veicolo deve avere la resistenza necessaria per sostenere il peso complessivo dell'utente, della carrozzina e degli accessori.

2. Attorno alla carrozzina deve essere disponibile uno spazio sufficiente per consentire un facile accesso per agganciare, stringere e sganciare le cinghie di ancoraggio della carrozzina e le cinghie di ritenuta per l'utente.

La carrozzina occupata deve essere rivolta in avanti e fissata con la cinghia di ancoraggio della carrozzina e le cinghie di ritenuta per l'utente (sistemi WTORS che soddisfano i requisiti dello standard ISO 10542 o SAE J2249) in conformità alle istruzioni del produttore dei WTORS.

4. L'utilizzo della carrozzina in altre posizioni, all'interno di un veicolo non è stato testato. Ad esempio, non trasportare mai la carrozzina rivolta lateralmente (Fig. A).

5. La carrozzina deve essere fissata con un sistema di ritenuta ad ancoraggio a norma ISO 10542 o SAE J2249 con cinghie anteriori non regolabili e cinghie posteriori regolabili dotate generalmente di fermi Karabiner/ganci a S e supporti di fissaggio con fibbia e linguetta. Questi sistemi di ritenuta comprendono normalmente 4 cinghie separate da agganciare ciascuna ad un angolo della carrozzina.

6. Le cinghie di ancoraggio devono essere fissate al telaio centrale della carrozzina, come illustrato nell'immagine nella pagina seguente, e non ad altri attacchi o accessori, ad es. non attorno ai raggi delle ruote, ai freni o agli appoggiatesta.

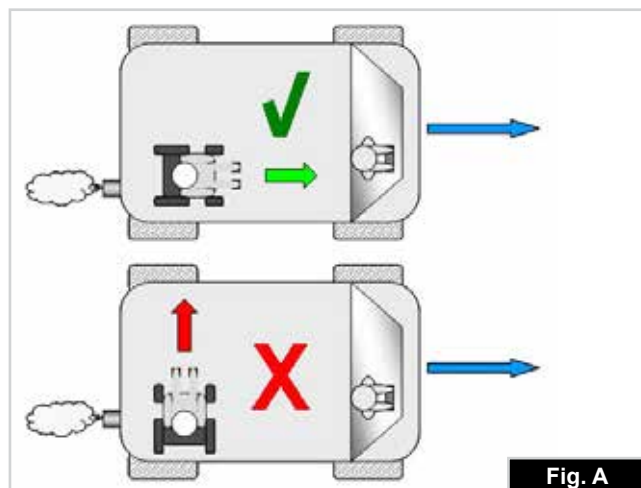


Fig. A

7. Agganciare le cinghie di ancoraggio in modo che l'inclinazione sia il più vicino possibile a un angolo di 45° e stringerle bene seguendo le istruzioni del fabbricante.

8. Non effettuare alterazioni o sostituzioni dei punti di fissaggio o della struttura, del telaio o dei componenti della carrozzina senza consultare il fabbricante. La mancata osservanza di questa avvertenza farà sì che la carrozzina Sunrise Medical non sia più considerata idonea al trasporto su un veicolo a motore.

9. Usare sia la cintura pelvica sia la cintura toracica per assicurare l'utente e ridurre la possibilità di impatto della testa e del torace con i componenti del veicolo e il conseguente grave rischio di lesioni all'utente e agli altri occupanti del veicolo. (Fig. B) La cintura toracica deve essere fissata al montante "B" del veicolo; la mancata osservanza di questa istruzione può aumentare il rischio di gravi lesioni addominali all'utente.

10. Installare un appoggiatesta idoneo per il trasporto (si veda l'etichetta sull'appoggiatesta) e posizionarlo sempre adeguatamente durante il trasporto.

11. Non utilizzare come sistemi di ritenuta in un veicolo in movimento supporti posturali per l'utente (cinghie pelviche, cinture pelviche) che non siano etichettati a norma dei requisiti specificati nello standard ISO 7176-19:2001 o SAE J2249.

12. La sicurezza dell'utente durante il trasporto dipende dall'accuratezza impiegata nell'assicurare le cinghie di ancoraggio. Questa operazione deve essere eseguita da persone che abbiano ricevuto adeguate istruzioni e/o addestramento per l'uso.

13. Quando possibile, rimuovere e riporre tutta l'attrezzatura ausiliaria della carrozzina, per esempio: portastampelle, cuscini e tavolini.

14. La pedana articolata/elevabile non deve essere usata in posizione elevata durante il trasporto di carrozzina e utente, con la carrozzina fissata mediante i sistemi di ritenuta idonei.

15. Se lo schienale è reclinato, riportarlo in posizione verticale.

16. Il freno deve essere attivato.

17. Fissare i sistemi di ritenuta al montante "B" del veicolo e assicurarsi che tra le cinture e il corpo non vi siano componenti della carrozzina, come braccioli o ruote.

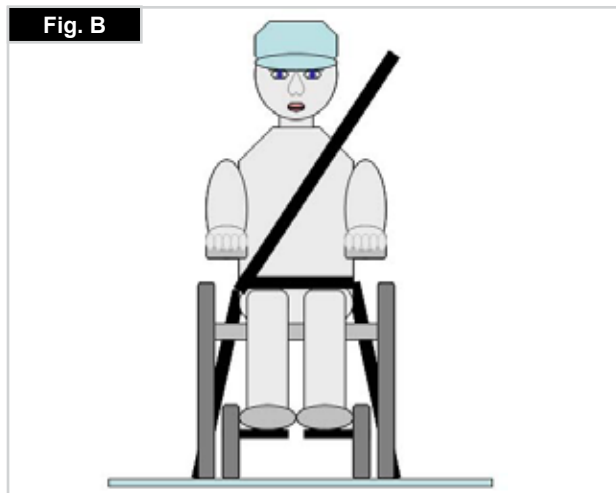


Fig. B

**ISTRUZIONI PER I SISTEMI DI RITENUTA DELL'OCCUPANTE:**

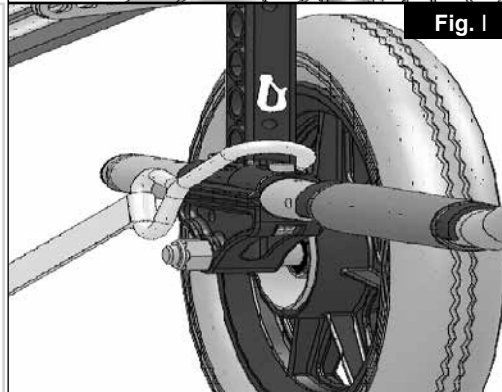
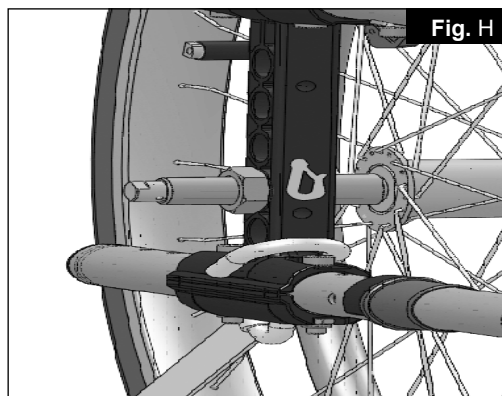
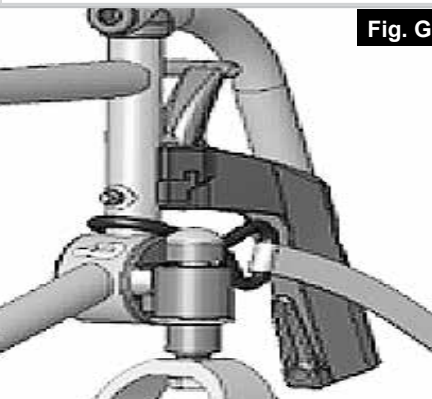
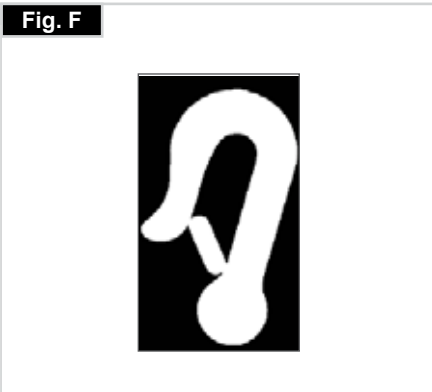
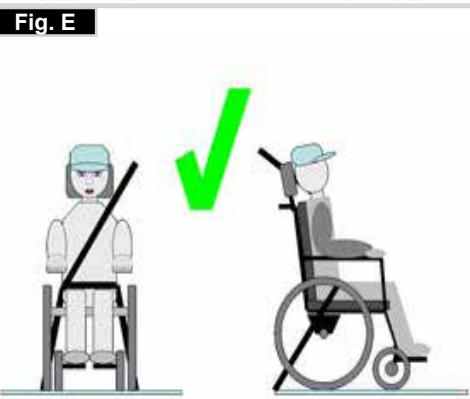
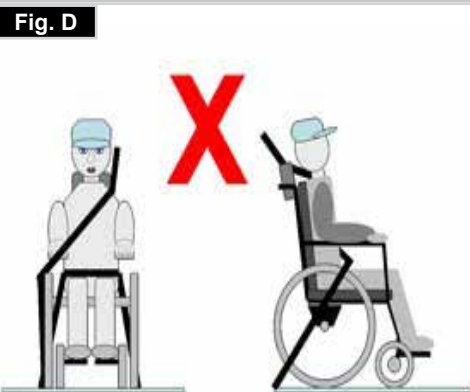
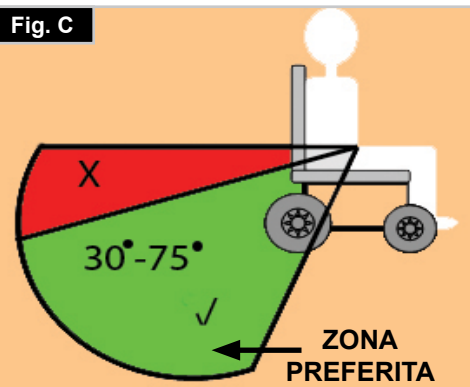
1. Indossare la cintura pelvica bene in basso, contro il bacino, in modo che l'angolo in inclinazione sia compreso tra 30 e 75 gradi rispetto al piano orizzontale.  
Si consiglia di regolare la cintura in modo che l'angolo sia il più vicino possibile a 75 gradi, ma non li superi. (Fig. C)
2. Far passare la cintura toracica sopra la spalla e lungo il torace come illustrato nelle Figure D ed E.  
Stringere le cinture di ritenuta il più possibile, assicurando al contempo il comfort dell'utente.  
Assicurarsi che le cinture di ritenuta non si attorciglino durante l'uso.  
Far passare la cintura di ritenuta della parte superiore del tronco sopra la spalla e lungo il torace come illustrato nelle Figure D ed E.
3. I punti di attacco alla carrozzina sono la parte laterale anteriore interna, appena sopra la ruota anteriore, e la parte laterale posteriore del telaio. Le cinghie sono fissate intorno alle parti laterali del telaio, al punto di intersezione tra i tubi orizzontali e verticali. (Vedere Figg. G - K)
4. Il simbolo di ancoraggio (Fig. F) sul telaio della carrozzina indica la posizione delle cinture di ritenuta. Le cinghie posteriori devono essere messe in tensione dopo avere fissato le cinghie anteriori per fissare la carrozzina.

**PESO DELL'UTENTE INFERIORE A 22 Kg**

Qualora l'utente da trasportare sia un bambino di peso inferiore a 22 Kg e il veicolo impiegato abbia meno di otto (8) posti passeggero, si raccomanda l'uso di un sistema di ritenuta per bambini (SRB) conforme al Regolamento n. 44 dell'UNECE.  
Questo tipo di sistema di ritenuta fornisce un ancoraggio più efficace per l'occupante rispetto al sistema convenzionale a 3 punti; inoltre, alcuni sistemi SRB prevedono anche supporti posturali per aiutare a mantenere il bambino in posizione corretta quando è seduto.  
In alcune circostanze, genitori o assistenti potrebbero decidere di lasciare il bambino sulla carrozzina durante il trasporto, grazie al livello di controllo della postura e al comfort garantito dall'assetto della carrozzina.  
In queste circostanze, si raccomanda di fare effettuare una valutazione dei rischi da parte dell'assistente sanitario o di altre persone competenti.

**POSIZIONAMENTO DELLE CINGHIE DI ANCORAGGIO SULLA CARROZZINA:**

1. Posizione delle etichette di ancoraggio anteriori e posteriori (Fig. G-H-I).
2. Posizione delle cinghie di ancoraggio anteriore (Fig. G) e posteriore (Fig. H-I) e dell'etichetta di ancoraggio sulla carrozzina.
3. Vista laterale delle cinghie di ancoraggio, (Fig. J).



## Uso

### CHIUSURA

Per prima cosa togliere il cuscino della carrozzina e lo schienale e ribaltare la pedana o gli appoggiatesta separati. Afferrare il rivestimento o i tubi del sedile al centro da dietro e tirarli verso l'alto. La carrozzina si richiuderà. A seconda del modello, è possibile rimuovere la pedana per ridurre al minimo l'ingombro, ad es. per trasportare la carrozzina in auto. A questo scopo, sbloccare la leva all'esterno e spostare la pedana lateralmente quindi estrarre la pedana dalla sede (Fig. 1).

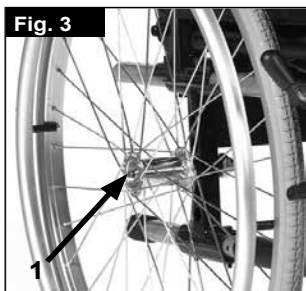


### APERTURA

Premere sui tubi del sedile (vedere figura). La carrozzina si aprirà. Spingere i tubi fino a bloccarli in posizione nel telaio della seduta. Per semplificare questa operazione, tenere la carrozzina inclinata lateralmente in modo da alleggerire il peso su una ruota posteriore. **Fare attenzione a non infilare le dita nella crociera.** Riposizionare il cuscino e lo schienale (Fig. 2).



**Perni ad estrazione rapida delle ruote posteriori** Le ruote posteriori sono dotate di un perno ad estrazione rapida. Le ruote possono essere estratte o inserite senza la necessità di utilizzare degli utensili. Per l'estrazione delle ruote è sufficiente premere il pulsante posizionato sul perno ad estrazione rapida (1) ed estrarre la ruota (Fig. 3).



### AVVERTENZA

**L'inserimento del perno nel supporto deve avvenire premendo il relativo pulsante. Rilasciando il pulsante la ruota si bloccherà all'interno del suo supporto. Il pulsante di blocco deve ritornare nella sua posizione di partenza.**

### COME SEDERSI DA SOLI IN CARROZZINA (FIG. 4)

- Spingere la carrozzina contro una parete o un mobile ben solido;
- Assicurarsi che i freni siano azionati;
- Accertarsi che la pedana sia sollevata;
- Quindi sedersi in carrozzina;
- Abbassare la pedana ed appoggiare i piedi davanti alle cinghie fermatallone.



### COME SCENDERE DA SOLI DALLA CARROZZINA (FIG. 4.1)

- Assicurarsi che i freni siano azionati;
- La pedana dovrebbe essere sollevata;
- Con le mani appoggiate sui braccioli, piegarsi leggermente in avanti per spostare il peso del corpo verso la parte anteriore della seduta. Quindi appoggiare i piedi per terra, con uno dei due piedi bene indietro, ed alzarsi.



### AVVERTENZA!

- Mentre ci si alza, non appoggiarsi sugli appoggiatesta o la carrozzina potrebbe ribaltarsi. È più facile e più sicuro sedersi in carrozzina con gli appoggiatesta sollevati o staccati dalla carrozzina in modo che non siano di intralcio.
- Prima di salire o scendere dalla carrozzina inserire sempre i freni.

## Opzioni – Salicordoli

### PEDANA PER IL RIBALTAMENTO

La pedana per il ribaltamento della carrozzina è utilizzata dall'accompagnatore per il superamento di un ostacolo. Premere semplicemente con il piede sulla pedana e la carrozzina si solleverà leggermente per salire, ad esempio, sul cordolo di un marciapiede (Fig. 5).



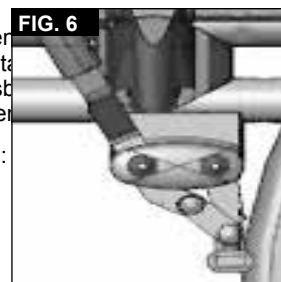
### ATTENZIONE!

Sunrise Medical raccomanda vivamente l'uso di una pedana su ogni modello con ruote da transito e anche su tutti i modelli gestiti in modo preminente da un accompagnatore poiché, se inclinando la carrozzina per superare un ostacolo si tirano indietro i montanti posteriori, si rischia di danneggiarli.

## Opzioni - Freni

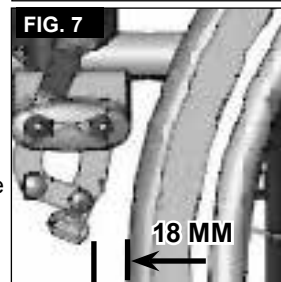
### FRENI

La carrozzina è dotata di due freni a disco pneumatici. Per bloccare la ruota, spostare la leva del freno sino al loro arresto. Per sbloccare la ruota, spostare la leva del freno nella posizione di partenza.



- L'azione dei freni sarà ridotta in caso di:
- profilo consumato dei pneumatici
  - insufficiente pressione dei pneumatici
  - pneumatici bagnati
  - freno regolato non correttamente.

I freni non sono stati progettati per essere azionati quando la carrozzina è in movimento. Non azionare mai i freni durante la guida. Frenare sempre aiutandosi con i corrimani. Verificare che la distanza tra il freno ed il pneumatico sia conforme alle specifiche. Per la regolazione, allentare la vite e regolare la distanza corretta. Avvitare di nuovo la vite (Fig. 6-7).



### ATTENZIONE!

dopo ogni modifica della posizione delle ruote posteriori, controllare la regolazione dei freni e se necessario provvedere nuovamente alla loro regolazione.

In caso di montaggio non appropriato della prolunga della leva del freno, questa potrebbe rompersi a causa della maggiore pressione esercitata.

Non appoggiarsi sulla prolunga del freno mentre si sale e si scende dalla carrozzina, per evitare che si rompa. Gli spruzzi d'acqua provenienti dalle ruote possono causare il malfunzionamento dei freni.

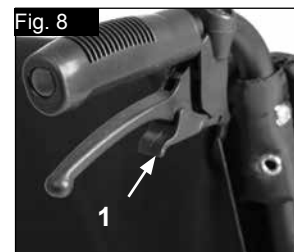
### FRENI A TAMBURO

I freni a tamburo permettono all'accompagnatore di frenare in modo funzionale e sicuro.

Possono essere azionati con l'ausilio di una leva di blocco (1) per impedire qualsiasi spostamento indesiderato.

Lo scatto della leva di blocco deve essere ben udibile.

I freni a tamburo funzionano indipendentemente dalla pressione degli pneumatici (Fig. 8).



### AVVERTENZA!

I freni a tamburo devono essere regolati solamente da un rivenditore autorizzato.

Per avere sempre sotto controllo la direzione di marcia, attivare sempre i 2 freni simultaneamente!

I freni a tamburo dovranno essere usati unicamente per arrestare la carrozzina in movimento.

Per mantenere ferma la carrozzina per periodi di tempo brevi o lunghi, oppure durante il trasferimento dell'utente, attivare sempre i freni per il blocco delle ruote.

## UTILIZZO CON UNA SOLA MANO

La carrozzina è provvista di due freni che possono essere azionati sia dal lato destro che dal sinistro. I freni agiscono direttamente sui pneumatici. Per bloccare la ruota, spingere la leva del freno in avanti sino al suo arresto (Fig. 9). Per sbloccare la ruota, riportare la leva del freno nella posizione di partenza.

- L'azione dei freni sarà ridotta in caso di:
- profilo consumato dei pneumatici
- insufficiente pressione dei pneumatici
- pneumatici bagnati
- freno regolato non correttamente.

I freni non sono stati progettati per essere azionati quando la carrozzina è in movimento. Non azionare mai i freni durante la guida. Frenare sempre aiutandosi con i corrimani. Verificare che la distanza tra il freno ed il pneumatico sia conforme alle specifiche. Per la regolazione, allentate la vite e regolate la distanza corretta. Stringere di nuovo la vite (vedere la pagina relativa alla coppia di serraggio) (Fig. 10).

### ATTENZIONE:

dopo ogni modifica della posizione delle ruote posteriori, controllare la regolazione dei freni e se necessario provvedere nuovamente alla loro regolazione.

in caso di montaggio non appropriato della prolunga della leva del freno, questa potrebbe rompersi a causa della maggiore pressione esercitata. Non appoggiarsi sulla prolunga del freno mentre si sale e si scende dalla carrozzina, per evitare che si rompa. Gli spruzzi d'acqua provenienti dalle ruote possono causare il malfunzionamento dei freni.



## Opzioni - Appoggiapiedi

### APPOGGIAPIEDI E RELATIVO FERMO

Le pedane possono essere ruotate verso l'interno, sotto la seduta, o verso l'esterno. Quando si monta la pedana, assicurarsi che gli appoggiapiedi siano rivolti verso l'interno o verso l'esterno, quindi ruotarla verso l'interno fino a quando non si blocca in corrispondenza del bullone di bloccaggio. Per estrarla, tirare la leva (1), ruotare la pedana verso l'interno o verso l'esterno, quindi staccarla. Assicurarsi che la pedana sia correttamente bloccata in posizione, (Fig. 13).



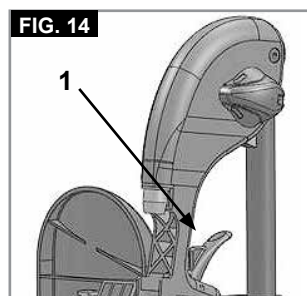
### ATTENZIONE!

- La pedana non deve essere usata per sollevare o trasportare la carrozzina.
- Non utilizzare l'appoggiapiedi per salire o scendere dalla carrozzina. Prima dell'operazione, ribaltare l'appoggiapiedi e ruotare la pedana il più possibile verso l'esterno.

### PEDANA ELEVABILE

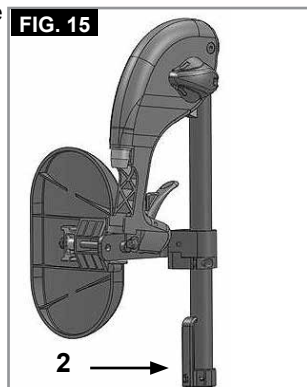
(Fig. 14-16)

Per estrarla, tirare la leva (1), ruotare la pedana verso l'esterno, quindi staccarla.



### REGOLAZIONE DELL'ALTEZZA:

Allentando la vite (2) è possibile regolare la lunghezza della pedana con continuità. Regolare all'altezza desiderata e stringere la vite.

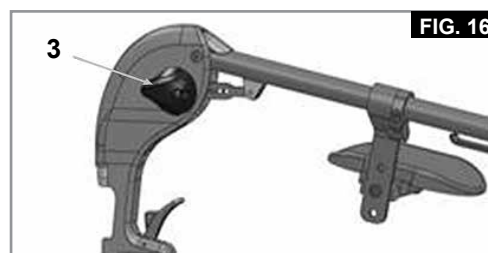


### ATTENZIONE!

La distanza tra la pedana e il terreno deve essere di almeno 40 mm.

### REGOLAZIONE DELL'ANGOLO:

Spingere la leva (3) verso il basso con una mano, sostenendo il peso dalla pedana con l'altra mano. Una volta raggiunto l'angolo desiderato, lasciare andare la leva per bloccare la pedana in una delle posizioni predefinite.



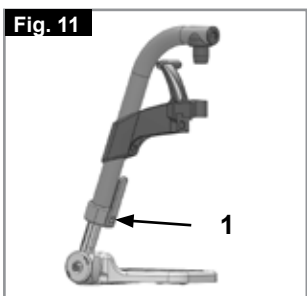
## Opzioni - Pedane

### APPOGGIAPIEDI:

Gli appoggiapiedi possono essere sollevati per facilitare i trasferimenti nella carrozzina.

### LUNGHEZZA PEDANA:

Per utenti con gambe più lunghe la pedana può essere abbassata all'altezza desiderata utilizzando le viti (1). Allentare le viti, sistemare i tubi nella posizione desiderata, quindi stringere le viti (vedere la sezione sulle coppie di serraggio). Devono esserci sempre almeno 3 cm tra la pedana e il terreno, (Fig. 11).



### APPOGGIAPIEDI REGOLABILE IN INCLINAZIONE

Può essere regolato per modificare l'angolazione rispetto al terreno. Rimuovere la vite, tirare verso l'interno, impostare all'angolo desiderato e spingere nuovamente. Terminata la regolazione, stringere nuovamente la vite.



Dopo ogni regolazione, controllare che tutte le viti siano ben strette (vedere la pagina 5 relativa alla coppia di serraggio).

Verificare che sia mantenuta la distanza minima da terra (2,5 cm) (Fig. 12).



## REGOLAZIONE DELL'APPOGGIAPOLPACCI

(Fig. 17).

L'appoggiapolpacci può essere regolato come segue.

Altezza: svitare il bullone (4) e spostare il pezzo di bloccaggio nella posizione desiderata. Ruotando il pezzo di bloccaggio si può regolare anche l'angolazione.

Profondità: svitare il bullone (5) e spostare l'appoggiapolpacci nella posizione desiderata.

Larghezza: svitare il bullone (5) e spostare gli spaziatori (6) dietro l'appoggiapolpacci per raggiungere la posizione desiderata.

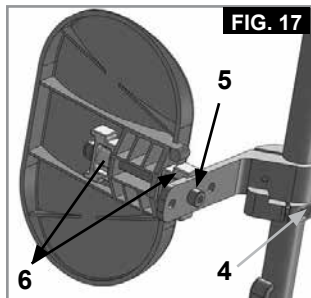


FIG. 17

### ⚠ AVVERTENZA!

- Tenere le mani lontano del meccanismo di regolazione tra il telaio e le parti mobili della pedana mentre si alza o si abbassa la pedana.
- Assicurarsi che i dispositivi di fissaggio siano bloccati in posizione.
- Le pedane non devono essere usate per sollevare o trasportare la carrozzina.
- Fare attenzione a non schiacciarsi le dita! Quando si muove la pedana verso l'alto o verso il basso, non infilare le dita nel meccanismo di regolazione tra le parti mobili.

## SUPPORTO PER AMPUTATI

(Fig. 18).

Il supporto per amputati può essere regolato in tutte le direzioni, a seconda delle esigenze.

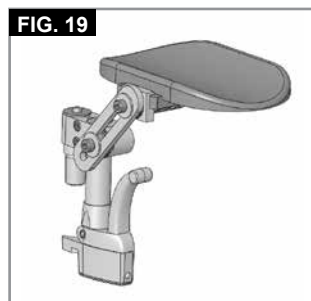


FIG. 19

## Opzioni - Ruote anteriori

### RUOTE ANTERIORI, PIASTRA DI REGOLAZIONE DELLA RUOTA ANTERIORE, FORCELLA DELLA RUOTA ANTERIORE

È possibile che la carrozzina viri leggermente verso destra o sinistra o che sia presente una vibrazione delle ruote anteriori. I motivi possono essere i seguenti:

- il movimento della ruota in avanti o all'indietro non è correttamente regolato
- La campanatura non è regolata correttamente.
- La pressione delle ruote posteriori e/o delle ruote anteriori non è corretta; le ruote non girano con facilità.

Una regolazione adeguata delle ruote anteriori è la condizione essenziale per il movimento rettilineo della carrozzina. La regolazione delle ruote anteriori deve essere sempre eseguita da un tecnico autorizzato. Ogni volta che la posizione delle ruote posteriori viene modificata bisogna sempre regolare i freni nuovamente.

## Opzioni - Ruota anteriore, adattatore

L'altezza della seduta è determinata dalla posizione delle ruote anteriori e posteriori. Modificando la posizione delle ruote posteriori e anteriori e usando dei distanziali è possibile regolare l'altezza della seduta, (Fig. 19).

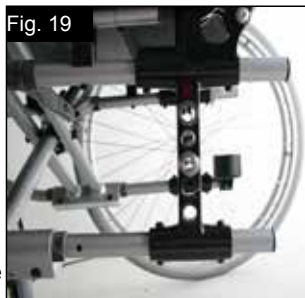


Fig. 19

### ⚠ ATTENZIONE!

Dopo avere regolato l'altezza della seduta, stringere nuovamente tutte le viti e regolare nuovamente i freni.

## Opzioni - Ruota anteriore, adattatore >>>

### NOTA:

Modificando la posizione della ruota anteriore/posteriore è possibile cambiare l'angolazione dell'asse delle ruote anteriori. L'angolo deve essere circa 90°.

### REGOLAZIONE DELL'ANGOLO DELL'ASSE DELLE RUOTE ANTERIORI:

Allentare le viti (1), estrarre l'adattatore, impostare l'angolo a 90° e stringere nuovamente le viti (Fig. 20-21).

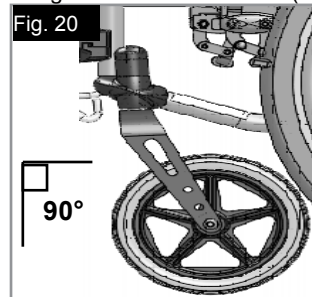


Fig. 20

90°

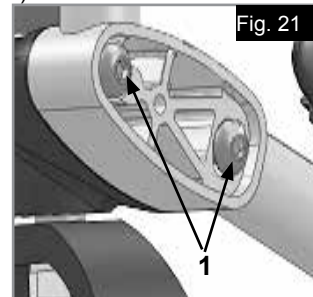


Fig. 21

### ⚠ ATTENZIONE!

L'angolo dell'asse di entrambe le ruote deve essere lo stesso.

### POSIZIONE ORIZZONTALE DELL'ASSE

La piastra dell'asse può essere spostata in avanti per offrire una maggiore manovrabilità, o indietro per dare maggiore stabilità (Fig. 22).

Maggiore è l'interasse, minore è il rischio di ribaltamento della carrozzina

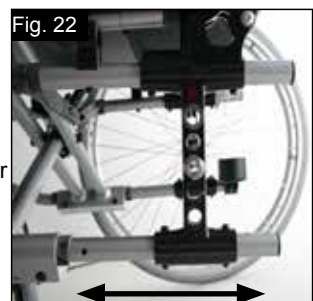


Fig. 22

## Opzioni - Schienale

### SCHIENALE AD ALTEZZA REGOLABILE

L'altezza dello schienale può essere impostata in 2 o 3 posizioni diverse a seconda del modello (41 cm, 43,5 cm e 46 cm). Allentare e rimuovere i bulloni (1)+(2) e spingere il tubo dello schienale nella posizione desiderata. Stringere i bulloni (Fig. 23).

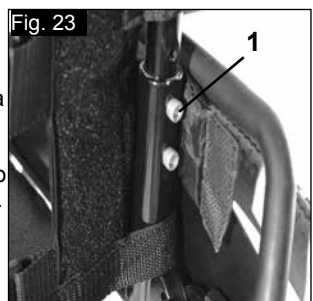


Fig. 23

### SCHIENALE REGOLABILE IN ANGOLO

L'angolo dello schienale può essere regolato in 6 posizioni diverse (5° in avanti, 0°, 5°, 10°, 15° e 20° indietro). Per regolare l'angolo, rimuovere la vite (1), impostare l'angolo desiderato e stringere nuovamente la vite (Fig. 24).

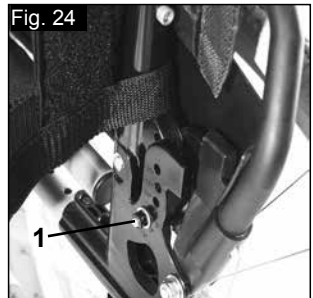


Fig. 24

### SCHIENALE REGOLABILE IN ANGOLO (7° - 30°)

Tirando le due leve contemporaneamente (1), lo schienale può essere sbloccato e poi sistemato nella posizione desiderata.

Quando si rilasciano le due leve (1) lo schienale si blocca automaticamente in posizione (Fig. 25).



Fig. 25

## ⚠ ATTENZIONE!

- Si raccomanda di abbinare uso allo schienale regolabile in angolazione la prolunga posteriore del telaio.
- Si raccomanda di abbinare allo schienale regolabile in angolazione le routine antiribaltamento (distanza massima da terra: 3-5 cm).
- Si raccomanda di abbinare allo schienale regolabile in angolazione all' barra stabilizzatrice.

## SCHIENALE ABBATTIBILE A METÀ

Apertura dello schienale:  
Per sistemare lo schienale in posizione verticale, spingere le maniglie verso l'alto e in avanti fino a quando non si bloccano in posizione, (Fig. 26).



## ⚠ AVVERTENZA!

Tenere dita e altri oggetti lontani dal meccanismo di chiusura quando si chiude lo schienale per evitare di subire lesioni o causare danni.

## Chiusura dello schienale:

Lo schienale può essere piegato per riporre più facilmente la carrozzina, (Fig. 27).



## ⚠ ATTENZIONE!

Non cercare di piegarlo quando è sotto carico o si rischia di rompere la leva.

Per chiudere lo schienale, posizionarsi dietro la carrozzina e premere le due levette (Fig. 27 + 28) ai lati dello schienale (sopra i braccioli). Piegare lo schienale.



## TELO SCHIENALE REGOLABILE

Per regolare la tensione dello schienale in tela, utilizzare le apposite cinghie (Fig. 28).

## ⚠ ATTENZIONE!

Non stringere troppo la cinghia di tensionamento, per non interferire con il meccanismo di chiusura della carrozzina.

## SCHIENALE COMFORT

Lo schienale comfort con supporto laterale consente di stare seduti comodamente e a lungo. Può essere rimosso completamente sollevandolo e spingendolo in avanti. Il cuscino, anch'esso rimovibile, è fissato con il velcro. La fodera è lavabile. (Fig. 29)



## SUPPORTO PER IL TRONCO

Il supporto per il tronco può essere regolato in angolazione, profondità e altezza. Può essere ribaltato sollevandolo verso l'alto.

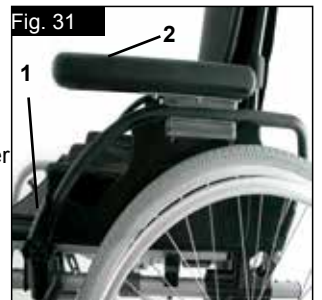
- Regolazione della profondità: rimuovere le 2 viti e fissare il supporto per il tronco nella posizione scelta. Stringere nuovamente le viti.
- Regolazione dell'angolo: allentare la vite, impostare il supporto per il tronco all'angolo desiderato e stringere nuovamente la vite. (Fig. 30)
- Regolazione dell'altezza: rimuovere le viti di fissaggio della staffa e spostare la staffa nella posizione desiderata. Stringere nuovamente le viti.



## Opzioni – Protezione laterale

### SPONDINE STANDARD, RIBALTABILI, RIMOVIBILE CON BRACCIOLI CORTI O LUNGI

Le spondine hanno bordi smussati per potersi avvicinare ad un tavolo. Per ribaltare il bracciolo, spingere la leva (1) in modo che la spondina si sblocchi (Fig. 31 + 32).



Per regolare l'altezza del bracciolo (2), montare la staffa del distanziatore in posizioni diverse. A questo scopo, allentare le viti, spostare la staffa del distanziatore e quindi stringere le viti. Per regolare la lunghezza del bracciolo, allentare le viti (3), spostare il bracciolo nella posizione desiderata e quindi stringere le viti (Fig. 33).



## ⚠ ATTENZIONE:

- Non utilizzare le spondine o i braccioli per sollevare o trasportare la carrozzina.
- Nel regolare l'altezza del bracciolo, fare attenzione a non pizzicarsi le dita.

### SPONDINE RIBALTABILI, CON BRACCIOLI CORTI O LUNGI ESTRAIBILI, REGOLABILI IN ALTEZZA

L'altezza del bracciolo può essere regolata come segue.

Spingere la leva verso il basso e spostare il bracciolo all'altezza desiderata. Rilasciare la leva e premere il bracciolo verso il basso fino a quando si blocca in posizione. Controllare sempre che le spondine siano inserite correttamente.

Per ribaltare il bracciolo, spingere la leva (1) in modo che la spondina si sblocchi.



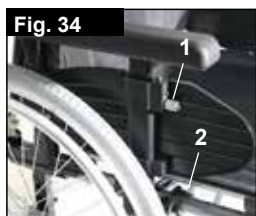
Per regolare la lunghezza del bracciolo, allentare le viti (2), spostare il bracciolo nella posizione desiderata e quindi stringere le viti (Fig. 33).

## ⚠ ATTENZIONE:

- Non utilizzare le spondine o i braccioli per sollevare o trasportare la carrozzina.
- Quando si utilizza una ruota posteriore da 24", spostare il bracciolo di una posizione più in alto.

## BRACCIOLI REGOLABILI IN ALTEZZA

Per regolare l'altezza, tirare la leva (1) e spingere il bracciolo all'altezza desiderata. Successivamente, controllare che la leva (1) si blocchi in posizione. Per togliere il bracciolo, procedere allo stesso modo.

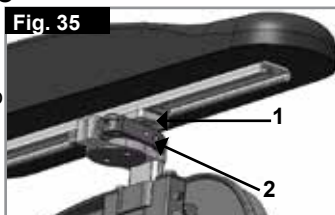


Per estrarre completamente la spondina, spingere la leva (2). Anche quando si monta la spondina la leva (2) deve essere tirata. **Controllare sempre che la spondina si blocchi nella posizione corretta nella sede.** (Fig. 34)

## Opzioni – Bracciolo per emiplegico

### BRACCIOLO PER EMIPLEGICO

Il bracciolo per emiplegico può essere regolato in lunghezza e angolazione. È possibile regolare la lunghezza spingendo il bracciolo dopo avere allentato le 2 viti (1). Per regolare l'angolo, rilasciare la leva di sblocco (2), ruotare il bracciolo fino alla posizione desiderata e poi bloccare nuovamente la leva (Fig. 35).



## Opzioni – Ruotine antiribaltamento

### RUOTINE ANTIRIBALTAMENTO

Le ruotine antiribaltamento offrono un'ulteriore sicurezza per gli utenti inesperti che stanno imparando ad usare la carrozzina. Le ruotine evitano che la carrozzina si ribalti all'indietro. Inserire le ruotine antiribaltamento nel tubo del telaio fino a far entrare il primo dei due pulsanti a molla nel primo foro del tubo (Fig. 36).



### ⚠ AVVERTENZA!

Se le ruotine antiribaltamento sono posizionate in modo non corretto è più probabile che la carrozzina si ribalti all'indietro. Ruotare le ruotine verso l'alto quando si affrontano ostacoli ingombranti (come un marciapiede) per evitare che tocchino terra, e poi girarle verso il basso per riportarle nella posizione normale.

**NOTA:** non inserire entrambi i pulsanti del tubo delle ruotine antiribaltamento nel tubo del telaio poiché le ruotine potrebbero danneggiarsi e non essere più efficaci. Spingere il secondo pulsante di blocco esposto per sollevare o rimuovere le ruotine di sicurezza. Devono esserci sempre tra 3 e 5 cm tra il tubo e il terreno. Ruotare le ruotine verso l'alto quando si affrontano ostacoli ingombranti (come un marciapiede) per evitare che tocchino terra. Quindi girare le ruotine verso il basso nella posizione normale (Fig. 36).

### ⚠ AVVERTENZA!

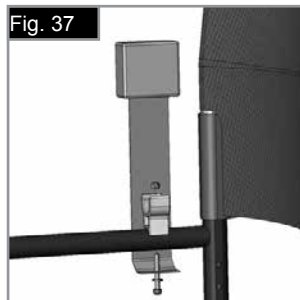
Se le ruotine antiribaltamento sono posizionate in modo non corretto è più probabile che la carrozzina si ribalti all'indietro.

## Opzioni – Cintura pelvica




### ⚠ AVVERTENZA!

Prima di usare la carrozzina assicurarsi che la cintura di sicurezza sia indossata e regolata correttamente.

La cintura pelvica va fissata alla carrozzina come mostrato nelle figure. La cintura pelvica è composta da due parti. Esse vengono fissate utilizzando il bullone di fermo per il blocco del sedile infilato nell'occhiello della cintura. La cintura viene fatta passare sotto la parte posteriore del pannello laterale (Fig. 37) Regolare la posizione della cintura in modo che le due parti della fibbia si trovino al centro della seduta. (Fig. 38)



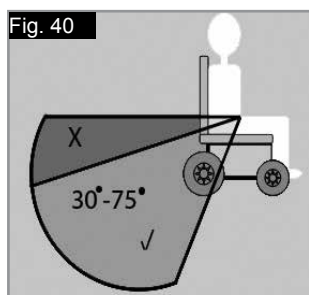
Regolare la cintura pelvica per adattarla alle esigenze dell'utente nel modo seguente:

Per aumentare la lunghezza della cintura:	Per diminuire la lunghezza della cintura	✓
 Tipo B	 Tipo B	 Tipo B
Far passare la cintura attraverso le guide di regolazione e la fibbia maschio per allungare la cintura.	Far ripassare la cintura attraverso la fibbia maschio e le guide di regolazione.	Controllare che la cintura non sia arrotolata sulla fibbia maschio.

## Opzioni – Cintura pelvica

Quando si allaccia la cintura, controllare lo spazio tra la cintura e l'utente; se la regolazione è corretta, deve essere possibile infilarvi una mano. (Fig. 39)

Normalmente la cintura pelvica deve essere fissata in modo che le cinghie formino un angolo di circa 45 gradi e, quando regolata correttamente, non permetta all'utente di scivolare in avanti. (Fig. 40)



	
<b>Per chiudere la fibbia:</b> Inserire bene la fibbia maschio nella fibbia femmina.	<b>Per slacciare la cintura:</b> Fare pressione sulle parti esposte della fibbia maschio spingendole verso il centro oppure premere il pulsante della fibbia femmina tirando contemporaneamente le due parti verso l'esterno.

## CONSIGLI PER IL CLIENTE

### ⚠ AVVERTIMENTO!

- Non fare affidamento solamente sulla cintura pelvica durante il trasporto dell'utente in carrozzina in un veicolo. Utilizzare il sistema di ritenuta per il passeggero fornito nel veicolo.
- Prima dell'uso, si raccomanda di controllare la cintura per verificare che sia regolata correttamente e priva di ostacoli o segni di usura e che la fibbia si chiuda bene.
- La mancata verifica della sicurezza e della regolazione della cintura pelvica prima dell'uso può causare gravi lesioni all'utente. Per esempio, se la cintura è allentata eccessivamente, l'utente potrebbe scivolare in avanti sulla carrozzina e rischiare il soffocamento.

## MANUTENZIONE:

Controllare regolarmente la cintura pelvica e i componenti di fissaggio e assicurarsi che non siano logori o danneggiati. Se necessario, sostituirli. Pulire la cintura pelvica con acqua insaponata tiepida e lasciare asciugare.

### ⚠ AVVERTIMENTO!

Regolare la cintura pelvica in base alle necessità dell'utente come descritto precedentemente. Poiché l'utente potrebbe inavvertitamente allentarla, Sunrise Medical raccomanda di controllare regolarmente la lunghezza e la posizione della cintura pelvica.

In caso di dubbi sull'uso e il montaggio della cintura di sicurezza, rivolgersi al personale sanitario, al rivenditore, all'assistente o all'accompagnatore.

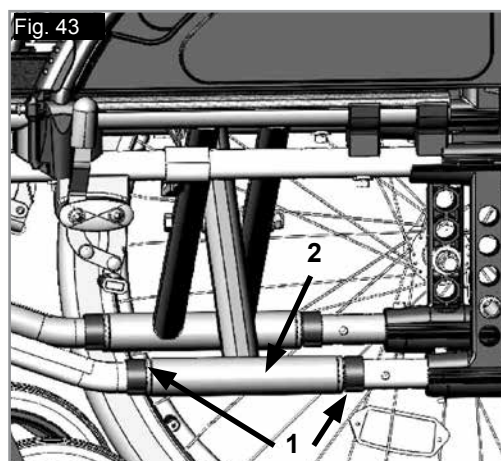
## Opzioni – Profondità della seduta

### PROFONDITÀ DELLA SEDUTA

Togliere gli anelli di fissaggio (1) per spingere lungo il telaio la crociera (2) e modificare così la profondità della seduta (a seconda della posizione dei tubi dello schienale).

Verificare che gli anelli di fissaggio (1) si incastrino nei fori appositi del telaio.

Per mantenere il telaio il più compatto possibile, la profondità della seduta può essere regolata anche mediante i tubi dello schienale (41 - 51 cm con incrementi di 2,5 cm). A questo scopo rimuovere le viti (1 e 2) sulla staffa del tubo dello schienale. Togliere le ruote e i braccioli e controllare che la crociera sia nella posizione desiderata (spingere la crociera come descritto sopra). ⚠ Spostare i tubi dello schienale nella posizione desiderata e poi stringere le viti. Spostare il tubo della sede dei braccioli nella posizione desiderata (Fig. 43).



## Opzioni – Maniglie di spinta

### MANIGLIE DI SPINTA REGOLABILI IN ALTEZZA

Grazie ad un perno le maniglie di spinta non possono staccarsi involontariamente. Rilasciare la leva di sblocco (1) per regolare le maniglia di spinta all'altezza desiderata. Dopo ogni regolazione dell'altezza delle maniglie di spinta, tirare la leva di sblocco (1) fino a stringerla (Fig. 44).



#### ATTENZIONE:

Se la leva non è fissata, quando si dovranno superare degli ostacoli si potrebbe rischiare di causare lesioni.

## Opzioni – Portastampelle

### PORTASTAMPELLE

Questo accessorio permette di trasportare le stampelle agganciandole alla carrozzina. Un cinturino di Velcro consente di fissare le stampelle (Fig. 45).



#### ATTENZIONE:

Non cercare mai di utilizzare o togliere le stampelle o altri ausili mentre la carrozzina è in movimento.

## Opzioni - Tavolino

### TAVOLINO

Il tavolino serve come superficie per lo svolgimento di varie attività. Prima dell'uso, il tavolino deve essere regolato in base alla larghezza della seduta da un tecnico autorizzato. Questa regolazione va eseguita con l'utente seduto sulla carrozzina (Fig. 46).

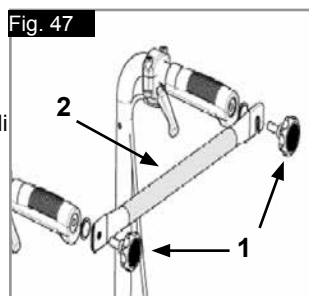


## Opzioni - Barra stabilizzatrice

### BARRA STABILIZZATRICE RECLINABILE

Allentare la manopola a stella (1) e girare la barra stabilizzatrice (2) in modo che non sia di intralcio prima di richiudere la carrozzina.

Per rimontare la carrozzina, seguire la procedura inversa., (Fig.47).

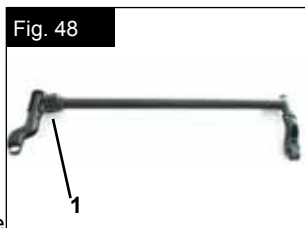


#### ATTENZIONE!

- Prima di usare la carrozzina verificare che la barra stabilizzatrice e le manopole a stella siano nella posizione corretta e ben strette.
- Non usare mai la barra stabilizzatrice per sollevare la carrozzina!

### BARRA STABILIZZATRICE RIBALTABILE

Questa barra serve per stabilizzare lo schienale. Per chiudere la carrozzina, spingere la leva di sblocco (1) verso l'interno e spostare la barra stabilizzatrice verso il basso. Quando si apre la carrozzina, controllare che la barra stabilizzatrice sia bloccata in posizione. (48).



## BARRA STABILIZZATRICE

Questa barra serve per stabilizzare lo schienale. Per chiudere la carrozzina, abbassare la barra stabilizzatrice spingendola in centro (1). Per aprire completamente la carrozzina, tirare la maniglia di trasporto (2) verso l'alto, (Fig. 49).



## Opzioni – Appoggiatesta

### APPOGGIATESTA

L'appoggiatesta può essere sollevato e inclinato in avanti o indietro. Per regolarlo, allentare la vite, portarlo nella posizione desiderata e stringere nuovamente la vite (vedere la sezione sulla coppia di serraggio) (Fig. 50).



### POGGIATESTA COMFORT

Per regolare l'altezza, svitare la manopola e spostare il poggiatesta all'altezza desiderata. Infine, stringere nuovamente la manopola, (Fig. 51).



## Opzioni - Ruotine da transito

### RUOTINE DA TRANSITO

Le **ruotine da transito** vengono normalmente utilizzate quando la carrozzina con le ruote posteriori è troppo larga per passare in determinati spazi (p. es. in aereo, in autobus ecc.) Una volta che le **ruote posteriori** sono estratte con l'aiuto dell'asse ad estrazione rapida, è possibile proseguire la guida sulle ruotine da transito. Se non utilizzate, le **ruotine da transito** sono montate in modo tale da rimanere ad una distanza di 3 cm circa dal terreno. Non ostacolano le manovre di guida, di trasporto o di ribaltamento ad es. scalini, marciapiedi ecc. (Fig. 52).



#### ATTENZIONE:

Durante l'utilizzo delle ruotine di transito, la carrozzina non può essere frenata.

## Opzioni – Utilizzo con una sola mano

### UTILIZZO CON UNA SOLA MANO

Per il movimento rettilineo della carrozzina bisogna usare entrambe le manopole. Se la carrozzina deve essere ripiegata, togliere la barra estraibile spingendola verso l'interno (Fig. 53).



#### ATTENZIONE:

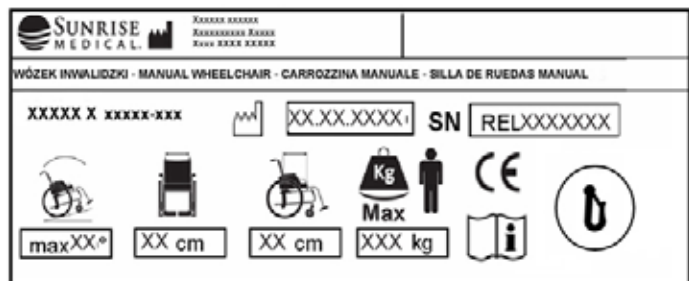
Per evitare lesioni, controllare sempre che tutti i punti di collegamento siano ben fissati.

## Targhetta di identificazione

### Targhetta di identificazione

L'etichetta di identificazione è applicata sulla crociera e sul manuale d'uso. Su questa targhetta sono riportati i dati tecnici. In caso di ordine di ricambi o di reclamo è necessario comunicare i seguenti dati:

# CAMPIONE



RubiX<sup>2</sup>

XXXXX-XXX

Nome del prodotto/codice articolo



La pendenza superabile massima dipende dall'assetto della carrozzina, dalla postura e dalle capacità fisiche dell'utente



Larghezza seduta



Profondità (massima).



Portata massima.



Marchio CE



Guida per l'utente.



Crash test



XX.XX.XXXXI

Data di produzione.



RELXXXXXXXX

Numero di serie.

In linea con la nostra politica di continuo miglioramento nel design delle carrozzine, le specifiche del prodotto possono differire leggermente dagli esempi illustrati. I pesi, le dimensioni e i dati prestazionali sono approssimati e forniti solo a scopo indicativo. Sunrise Medical è conforme ai requisiti della direttiva europea sui dispositivi medici 93/42/CEE



Tutte le carrozzine devono essere usate secondo le linee guida del produttore.

Sunrise Medical Poland  
Sp. z o.o.ul. Elektronowa 6,  
94-103 Łódź  
Polska  
Telefon: + 48 42 275 83 38  
Fax: + 48 42 209 35 23  
E-mail:  
pl@sunrisemedical.de  
Sunrise-Medical.pl

## Copertoni e montaggio dei pneumatici

### COPERTONI E MONTAGGIO DEI PNEUMATICI

I pneumatici standard sono pieni.

Verificate che la pressione dei pneumatici sia sempre quella corretta. Una pressione inadeguata può compromettere le prestazioni della carrozzina. Se la pressione è troppo bassa, sarà necessario applicare una forza maggiore per muovere la carrozzina poiché la resistenza al rotolamento è maggiore. La manovrabilità della carrozzina ne risulterà compromessa. Se la pressione è troppo alta si rischia lo scoppio del copertone. La pressione corretta è riportata su ogni singolo copertone.

Il montaggio o la riparazione dei copertoni avviene come per qualsiasi tradizionale copertone da bicicletta. Prima del montaggio della nuova camera d'aria verificare che nel canale del cerchione e nella parete interna del copertone non siano presenti corpi estranei. Dopo il montaggio o la riparazione controllare la pressione del copertone. La regolazione della pressione ai valori indicati e il buono stato dei copertoni sono condizioni importanti per la sicurezza e per le prestazioni della carrozzina.

### Manutenzione e cura

#### CONTROLLI PER LA SICUREZZA:

L'utente è la prima persona ad accorgersi di eventuali difetti. Ogni volta che si desidera usare la carrozzina, controllare prima quanto segue:

Che la pressione delle ruote sia corretta.

Che i freni funzionano correttamente.

Che le parti rimovibili siano tutte ben fissate (p. es. braccioli, pedane, assi a sgancio rapido ecc).

In caso di danni o difetti, contattare il rivenditore autorizzato di fiducia.

#### MANUTENZIONE:

Controllare la pressione dei pneumatici ad intervalli regolari. Controllare l'usura o l'eventuale presenza di danni su tutti i copertoni ad intervalli regolari, almeno una volta all'anno. Sostituire i pneumatici non appena si notano segni di usura o danni. Controllare l'usura o l'eventuale presenza di usura o danni sui rivestimenti della seduta e dello schienale a intervalli regolari, almeno una volta all'anno. Sostituirli non appena si notano segni di usura o danni.

Controllare l'usura o l'eventuale presenza di usura o danni su tutti i componenti del telaio e dello schienale ad intervalli regolari, almeno una volta all'anno. Sostituirli non appena si notano segni di usura o danni.

Controllare l'usura o l'eventuale presenza di danni sui freni ad intervalli regolari, almeno una volta all'anno. Controllare il corretto funzionamento e la manovrabilità dei freni. Sostituire i freni non appena si notano segni di usura o danni.

Controllare che tutti i bulloni siano ben serrati (vedere la sezione relativa alla coppia di serraggio) ad intervalli regolari, almeno una volta all'anno. Tutte le viti che sono essenziali alla sicurezza della carrozzina durante l'uso sono dotate di dadi di sicurezza. I dadi di sicurezza devono essere utilizzati una sola volta e sostituiti dopo l'uso.

**NOTA:** Se sono fornite indicazioni sulle impostazioni della coppia di serraggio, si raccomanda di utilizzare un dispositivo di misurazione per verificare che il serraggio sia corretto.

Se la carrozzina è sporca, pulirla solamente con un detergente non corrosivo. Per la pulizia della fodera del sedile e della cintura pelvica utilizzare esclusivamente acqua e sapone.

A seconda della frequenza e del modo di utilizzo, si consiglia di sottoporre la carrozzina regolarmente, almeno una volta all'anno, ad un controllo da parte di personale specializzato presso un rivenditore autorizzato Sunrise Medical.

 **ATTENZIONE!**

Sabbia, sale ed acqua marina possono danneggiare i cuscinetti delle ruote anteriori e posteriori. Pulire e asciugare la carrozzina con cura qualora sia stata esposta a questi elementi.

## IGIENE IN CASO DI UTILIZZO DA PARTE DI UN ALTRO UTENTE:

Prima che la carrozzina venga riutilizzata da un altro utente, prepararla adeguatamente, spolverando e trattando con disinfettante spray tutte le superfici che entrano a contatto con l'utente.

Se si ha poco tempo a disposizione, usare un disinfettante ad alcool rapido per prodotti o dispositivi medici. Osservare le istruzioni del fabbricante per il disinfettante impiegato.

## Risoluzione dei problemi

### Carrozzina che tende a muoversi lateralmente

- Controllare la pressione dei copertoni
- Controllare il regolare rotolamento della ruota (cuscinetti, asse)
- Controllare l'angolazione delle ruote anteriori
- Controllare che entrambe le ruote anteriori siano a contatto con il terreno

### Vibrazioni delle ruote anteriori

- Controllare l'angolazione delle ruote anteriori
- Controllare che le viti siano serrate correttamente; se necessario, stringerle nuovamente (vedere la sezione relativa alla coppia di serraggio)
- Controllare che entrambe le ruote anteriori siano a contatto con il terreno

### La carrozzina cigola e scricchiola

- Controllare che le viti siano serrate correttamente; se necessario, stringerle nuovamente (vedere la sezione relativa alla coppia di serraggio)
- Applicare una quantità minima di lubrificante sulle giunzioni delle parti mobili

### La carrozzina oscilla

- Controllare l'angolo di impostazione delle ruote anteriori
- Controllare la pressione dei copertoni
- Controllate che le ruote posteriori non siano state regolate in modo differente una dall'altra

## Smaltimento / Riciclaggio dei materiali

**NOTA:** Se la carrozzina è stata messa a disposizione gratuitamente, potrebbe non essere di proprietà dell'utente. Se non è più necessaria, seguire le istruzioni fornite dall'organizzazione che ha messo a disposizione la carrozzina per la restituzione.

Di seguito vengono descritti i materiali usati per la carrozzina e l'imballaggio e come devono essere smaltiti e riciclati. Quando si organizza lo smaltimento, considerare gli eventuali regolamenti specifici in vigore localmente per lo smaltimento dei rifiuti o il riciclaggio. Questo può includere la pulizia o la disinfezione della carrozzina prima dello smaltimento.

**Alluminio:** forcelle, ruote, telai delle spondine, telai dei braccioli, telaio della pedana, maniglie di spinta

**Acciaio:** dispositivi di fissaggio, perni ad estrazione rapida

**Plastica:** maniglie, fermatubi, ruote anteriori, appoggiapiedi, imbottiture dei braccioli e ruote/pneumatici da 12"

**Imballaggio:** sacco in polietilene a bassa densità, scatola di cartone

**Rivestimento:** poliestere tessuto con rivestimenti in PVC e schiuma modificata da combustione espansa.

Per lo smaltimento o il riciclaggio rivolgersi ad un centro di smaltimento autorizzato. In alternativa, la carrozzina può essere restituita al rivenditore per essere smaltita.



## Dati tecnici

### Larghezza totale:

- Con ruote standard, compresi corrimani montati vicino:  
RubiX<sup>2</sup>: LS +19 cm
- Con ruote con freni a tamburo, compresi corrimani montati vicino:  
RubiX<sup>2</sup>: LS +21 cm

### Misura della carrozzina chiusa:

- Con ruote standard:  
RubiX<sup>2</sup>: 30 cm
- Senza ruote standard:  
RubiX<sup>2</sup>: 24 cm

### Portata massima:

- RubiX<sup>2</sup> fino a un carico di 125 kg
- Versione rinforzata RubiX<sup>2</sup> XL fino a un carico di 170 kg

### Pesi in kg:

- Per il trasporto (senza pedana, ruote, spondine) 8,4 kg
- Per il trasporto RubiX<sup>2</sup> XL, (senza pedana, ruote, spondine): 11,4 kg
- Pedana (al pezzo): 0,8 kg
- Spondine standard (al pezzo): 0,8 kg
- Ruote posteriori piene da 24" (al paio): 3,8 kg

Portata massima (testata): 125 kg, (XL= 170kg)

## VEDERE ANCHE PAGINA 4

In conformità allo standard EN12183: 2009, tutte le parti qui elencate (teli seduta/schienale, imbottiture braccioli, pannelli laterali ecc) sono resistenti al fuoco ai sensi della norma EN1021-2.

La pendenza superabile in movimento dipende dalla configurazione della carrozzina, dalle capacità dell'utente e dallo stile di guida. Dal momento che non è possibile conoscere in anticipo le capacità dell'utente e il suo stile di guida, la pendenza superabile massima è un parametro che non può essere definito in anticipo e deve pertanto essere determinata dall'utente con l'aiuto di un accompagnatore per evitare cadute. Si raccomanda agli utenti inesperti di montare le routine antiribaltamento.

La carrozzina è conforme ai seguenti standard:

- a) Requisiti e norme per la resistenza statica, resistenza all'urto e all'usura (ISO 7176-8)
- b) Requisiti di resistenza all'infiammabilità conformi allo standard ISO 7176-16 (EN 1021-1)

## Coppia di serraggio

La coppia di serraggio per le viti M6 è 7 Nm, se non indicato diversamente.

Per ulteriori informazioni, fare riferimento alla pagina 5

## Regolazione dell'altezza della seduta

Fare riferimento alla tabella a pagina 5.

Sunrise Medical AG  
Lückhalde 14  
3074 Muri/Bern  
Schweiz/Suisse/Svizzera  
Fon +41 (0)31 958 3838  
Fax +41 (0)31 958 3848  
www.SunriseMedical.ch

Sunrise Medical AS  
Dynamitveien 14B  
1400 SKI  
Norway  
Telef: +47 66963800  
Faks: +47 66963880  
www.SunriseMedical.no

Sunrise Medical AB  
Box 9232  
400 95 Göteborg  
Sweden  
Tel: +46 (0)31 748 37 00  
Fax: +46 (0)31 748 37 37  
www.SunriseMedical.se

MEDICCO s.r.o.  
H – Park, Heršpická 1013/11d,  
625 00 Brno  
Czech Republic  
Tel.: (+420) 547 250 955  
Fax: (+420) 547 250 956  
www.medicco.cz  
info@medicco.cz  
Bezplatná linka 800 900 809

Sunrise Medical ApS  
Park Allé 289 G  
DK-2605 Brøndby  
Tlf. 70 22 43 49  
Email: info@sunrisemedical.dk  
www.SunriseMedical.dk

Sunrise Medical Pty. Ltd.  
6 Healey Circuit, Huntingwood, NSW  
2148,  
Australia  
Phone: 9678 6600,  
Orders Fax: 9678 6655,  
Admin Fax: 9831 2244.  
Australia  
www.sunrisemedical.com.au

Sunrise Medical  
North American Headquarters  
2842 Business Park Avenue  
Fresno, CA, 93727, USA  
(800) 333-4000  
(800) 300-7502  
www.SunriseMedical.com

Sunrise Medical GmbH & Co. KG  
Kahlbachring 2-4  
69254 Malsch/Heidelberg  
Deutschland  
Tel.: +49 (0) 7253/980-0  
Fax: +49 (0) 7253/980-222  
www.SunriseMedical.de

Sunrise Medical  
Thorns Road  
Brierley Hill  
West Midlands  
DY5 2LD  
England  
Phone: 0845 605 66 88  
Fax: 0845 605 66 89  
www.SunriseMedical.co.uk

Sunrise Medical S.L.  
Polígono Bakiola, 41  
48498 Arrankudiaga – Vizcaya  
España  
Tel.: +34 (0) 902142434  
Fax: +34 (0) 946481575  
www.SunriseMedical.es

Sunrise Medical Poland  
Sp. z o.o.  
ul. Elektronowa 6,  
94-103 Łódź  
Polska  
Telefon: + 48 42 275 83 38  
Fax: + 48 42 209 35 23  
E-mail: pl@sunrisemedical.de  
www.Sunrise-Medical.pl

Sunrise Medical B.V.  
Groningenhaven 18-20  
3433 PE NIEUWEGEIN  
The Netherlands  
T: +31 (0)30 – 60 82 100  
F: +31 (0)30 – 60 55 880  
E: info@sunrisemedical.nl  
www.SunriseMedical.nl

Sunrise Medical HCM B.V.  
Vossenbeemd 104  
5705 CL Helmond  
The Netherlands  
T: +31 (0)492 593 888  
E: customerservice@sunrisemedical.nl  
www.SunriseMedical.nl  
www.SunriseMedical.eu (International)

Sunrise Medical S.A.S  
ZAC de la Vrillonnerie  
17 Rue Mickaël Faraday  
37170 Chambray-Lès-Tours  
Tel : + 33 (0) 247554400  
Fax : +30 (0) 247554403  
www.sunrisemedical.fr

Sunrise Medical S.r.l.  
Via Riva, 20 – Montale  
29122 Piacenza  
Italia  
Tel.: +39 0523 573111  
Fax: +39 0523 570060  
www.SunriseMedical.it



CE

